

TRAINER

300cc



Beta
motorcycles



2019 OWNERS MANUAL



Rideability



Thank you for choosing Beta as your next Motorcycle!
All of us at Beta USA would like to say Thank You for
your purchase and we hope you will enjoy many
years of fun and excitement with your new Beta.

Our service email line is service@betausa.com if
you should have any questions or concerns.

Sincerely,
Tim Pilg and the entire Beta USA staff

IMPORTANT

We recommend you to check all the tightenings after the first one or two hours' ride over rough ground. Special attention should be paid to the following parts:

- rear sprocket
- ensure that the footrests are properly fixed
- front/rear brake levers/calipers/discs
- check that the plastics are properly fastened
- engine bolts
- shock absorber bolts/swingarm
- wheel hubs/spokes
- rear frame
- pipe connections
- tensioning the chain

IMPORTANT

In the event of interventions on the vehicle, contact Betamotor after-sales service.

CONTENTS	
Operating instructions.....	5
Symbols.....	5
Riding safety	6
CHAPTER 1 GENERAL INFORMATION	7
Vehicle identification data	8
Tools kit	8
Familiarizing with the vehicle.....	9
Specifications	10
Electrical system.....	14
Recommended lubricants and liquid	16
CHAPTER 2 OPERATION	17
Main parts	18
Digital rpm indicator operating instructions.....	23
Checks before and after use	33
Running in.....	33
Refuelling	34
Oil mixer refuelling	35
Starting the engine	35
Engine shut-down	35
CHAPTER 3 ADJUSTMENTS.....	37
Key to symbols.....	38
Brakes	38
Clutch.....	38
Adjustment of gas clearance.....	39
Adjusting the idle speed.....	39
Exhaust valve control adjustment	43
Handlebar adjustment	43
Adjusting fork	44
Shock absorber.....	45
CHAPTER 4 CHECKS AND MAINTENANCE	47
Key to symbols.....	48
Engine oil.....	48
Liquid coolant	49
Air filter	52
Spark plug	53

CONTENTS

Carburettor	54
Front brake.....	56
Rear brake	59
Clutch control	62
Check and adjusting of steering play.....	64
Front wheel	65
Fork.....	66
Rear suspension leverage.....	66
Tyres.....	67
Chain	67
Headlight.....	69
Replacing the headlight bulbs.....	69
Tail light.....	69
Battery.....	70
Fuses	72
Cleaning the vehicle.....	73
Prolonged inactivity.....	74
Scheduled maintenance vehicle	75
Tightening torque overview	77
CHAPTER 5 REPLACEMENTS	79
Removal and refitting of the saddle.....	80
Removing and installing air filter cover panel.....	81
CHAPTER 6 TROUBLESHOOTING	83
Troubleshooting	84

OPERATING INSTRUCTIONS

- The vehicle must be accompanied by: number-plate, registration document, tax disc and insurance.
- Any modifications of the engine or other parts are punishable by severe sanctions including the confiscation of the vehicle.
- To protect your safety and that of others, always drive carefully and with your helmet on and always keep low beams on.
- Do not sit on the vehicle when it is on its stand.
- Do not start the engine in closed places.

WARNING

Any modifications and tampering with the vehicle during the warranty period exempt the manufacturer from all responsibility and invalidate warranty.

SYMBOLS



SAFETY/ATTENTION

Failure to respect information marked with this symbol can entail a personal hazard.



INTEGRITY OF THE VEHICLE

Failure to respect information marked with this symbol can entail serious damage to the vehicle and termination of the warranty.



FLAMMABLE LIQUID HAZARD



Read the use and maintenance manual carefully.



MANDATORY TO WEAR PROTECTIVE CLOTHING

Use of the vehicle is subject to wearing specific protective clothing and safety footwear.



PROTECTIVE GLOVES MANDATORY

To perform the operations described, it is mandatory to wear protective gloves.



FORBIDDEN TO USE NAKED FLAMES OR POSSIBLE UNCONTROLLED IGNITION SOURCES



NO SMOKING



DO NOT USE MOBILE PHONE



CORROSIVE SUBSTANCES HAZARD

Liquids marked with this symbol are highly corrosive: handle with care



POISONING HAZARD

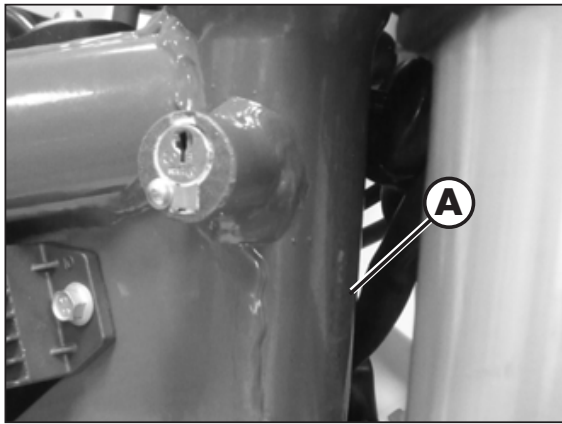
RIDING SAFETY

- Observe the Highway Code.
- Always wear approved personal protective equipment.
- Always ride with the low beam on.
- Always keep the crash helmet visor clean.
- Avoid wearing garments with hanging ends.
- Do not keep sharp or brittle objects in your pockets while riding.
- Properly adjust the rearview mirrors.
- Always ride in a seated position, with both hands on the handlebars and both feet on the footrests.
- Never ride abreast with other vehicles.
- Do not tow and avoid being towed by other vehicles.
- Always keep a safe distance from other vehicles.
- Do not start off while the vehicle is on its stand.
- Avoid swaying and wheelies as they are extremely dangerous for your own and other people's safety as well as for your vehicle.
- Always apply both brakes on dry roads with no gravel and sand. Using one brake may be dangerous and cause uncontrolled skidding.
- To reduce the braking distance, always apply both brakes.
- On wet roads and in off-road riding, drive with care and at moderate speed. Take special care in applying the brakes.

CHAPTER 1 GENERAL INFORMATION

CONTENTS

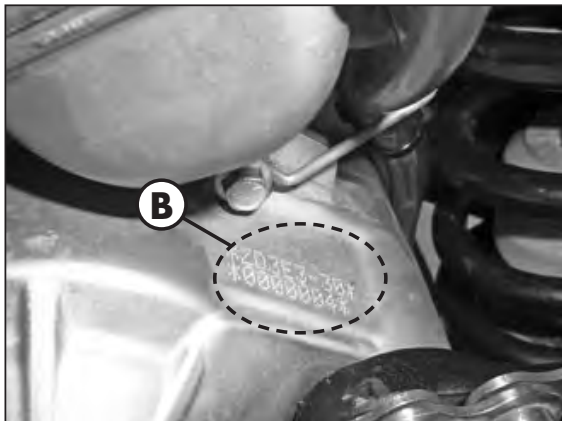
Vehicle identification data	8
Frame identification	8
Engine identification	8
Tools kit	8
Familiarizing with the vehicle.....	9
Main parts:.....	9
Specifications	10
Weight.....	10
Dimensions	10
Tyres	10
Capacities	10
Front suspension.....	11
Rear suspension	11
Front brake	11
Rear brake	11
Engine	12
Electrical system.....	14
Electrical diagram	14
Legend electrical diagram	15
Recommended lubricants and liquid	16



VEHICLE IDENTIFICATION DATA

FRAME IDENTIFICATION

Frame identification data **A** are stamped on the right side of the steering head tube.

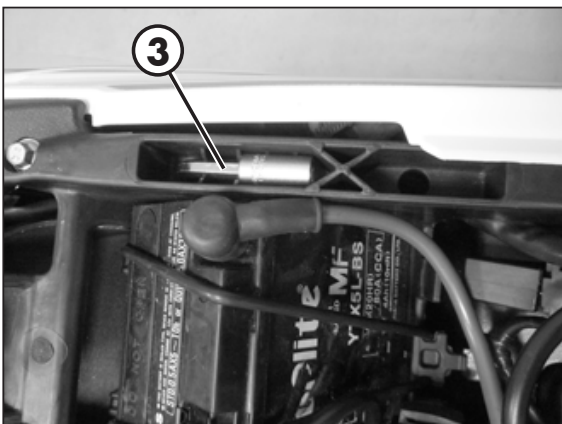


ENGINE IDENTIFICATION

Engine identification data **B** are stamped in the area shown in the figure.

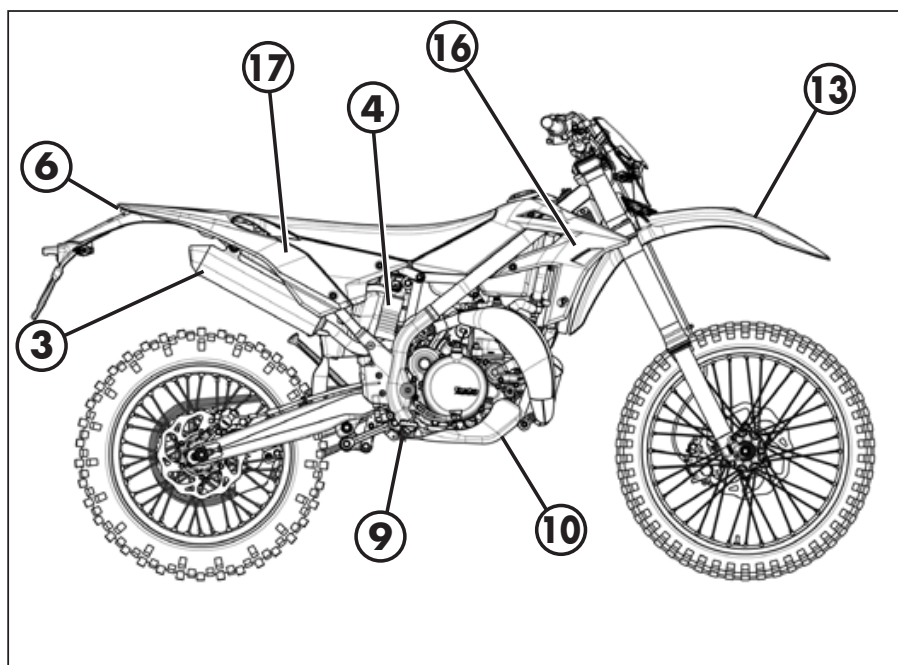
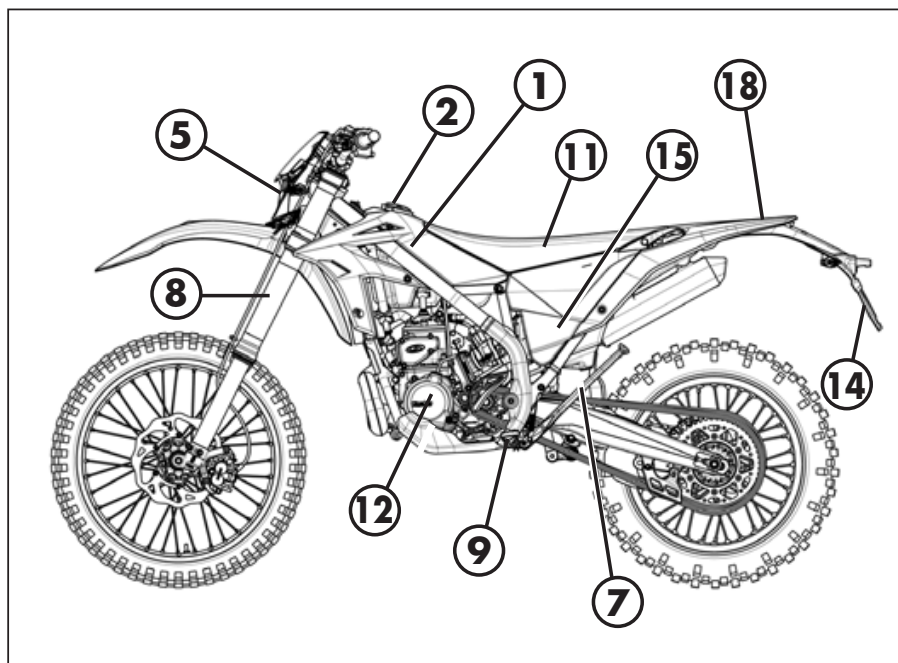
TOOLS KIT

The following items are supplied as standard: operation, maintenance manual, tool kit and the cable adapter to connect the CAN socket to a scantool.



Inside the battery compartment you will find the hexagon wrench 3 and the socket wrench (8 mm). To gain access remove the saddle (page 80).

FAMILIARIZING WITH THE VEHICLE



MAIN PARTS:

- | | | |
|-------------------------|-------------------------------------|----------------------|
| 1 - Fuel tank | 10 - Lower bumper
(Bumper kit) | 17 - Rear side panel |
| 2 - Tank cap | 11 - Saddle | 18 - Rear mudguard |
| 3 - Silencer | 12 - Engine | |
| 4 - Rear shock absorber | 13 - Front mudguard | |
| 5 - Headlight | 14 - Number-plate holder | |
| 6 - Rear light | 15 - Side panel air filter
cover | |
| 7 - Side stand | 16 - Front side panel | |
| 8 - Fork | | |
| 9 - Rider's footrests | | |

1

SPECIFICATIONS

WEIGHT

Weight in running order with full fuel and optional
 115 kg (front 55 Kg; rear 60 Kg)

DIMENSIONS

maximum length (with plate holder) 2270 mm
 maximum width 802 mm
 overall height 1245 mm
 wheelbase..... 1467 mm
 saddle height..... 910 mm
 ground clearance..... 320 mm
 footrest height..... 390 mm

TYRES

Dimensions		Pressure [Bar]	
Front tyre	Rear tyre	Front tyre	Rear tyre
80/100-21	140/80-18	1,5 (road use)	1,8 (road use)
		1 (off-road use)	1 (off-road use)

CAPACITIES

fuel tank..... 8,5 liters
 including reserve..... 1,5 liters
 coolant circuit..... 1,3 liters
 mixer oil tank 0,55 liters
 including reserve..... 0,21 liters
 gear oil..... 0,85 liters

FRONT SUSPENSION

Hydraulic fork USD (shafts Ø43 mm)	
Spring	K 8
Oil type	see table "Recommended lubricants and liquids", page 16
Oil quantity	500 ml
Spring preload register	completely open
Rebound clicks (from completely closed).....	12
Wheel travel.....	270 mm

REAR SUSPENSION

Single shock absorber with compound lever	
Spring	K 5,2
Static sag load (see page 46).....	22 mm
Compression clicks, high speeds (from completely closed).....	15
Rebound clicks (from completely closed).....	10
Shock absorber travel.....	110 mm

FRONT BRAKE

Ø260 mm disc and dual-piston floating caliper

REAR BRAKE

Ø240 mm disc and single-piston floating caliper

1

ENGINE

GENERAL INFORMATION

Version	XTRAINER 250 2T Europa XTRAINER 250 2T	XTRAINER 300 2T Europa XTRAINER 300 2T
Type	Single-cylinder, 2-stroke, liquid cooled and electric start	
Bore x stroke [mm]	66,4 x 72	72 x 72
Displacement [cm ³]	249	293,1
Compression ratio	13,5:1	11,4:1
CO ₂ [g/km] * #	69	71
Fuel consumption [l/100km] * #	2,894	2,978

* Only valid for EUROPA version

WMTC cycle related data, for class L vehicles

Fuel system.....carburettor with electronic mixer

Carburettor

Version	XTRAINER 250 2T Europa	XTRAINER 250 2T	XTRAINER 300 2T Europa	XTRAINER 300 2T
Main jet	130	155	130	155
Slow jet	38	35	38	35
Start jet	50	85	50	85
Needle	N84K	NOZK	N84K	NOZJ
Needle position (from top)	2°	3°	2°	2°
Air screw turns (from all closed)	2	1 + 1/4	2	1 + 1/2
Valve	7,5	7,5	7,5	7,5

Cooling system forced liquid circulation by pump

Spark plug NGK IR GR7CI-8

Clutch wet, multidisc

Gearchange

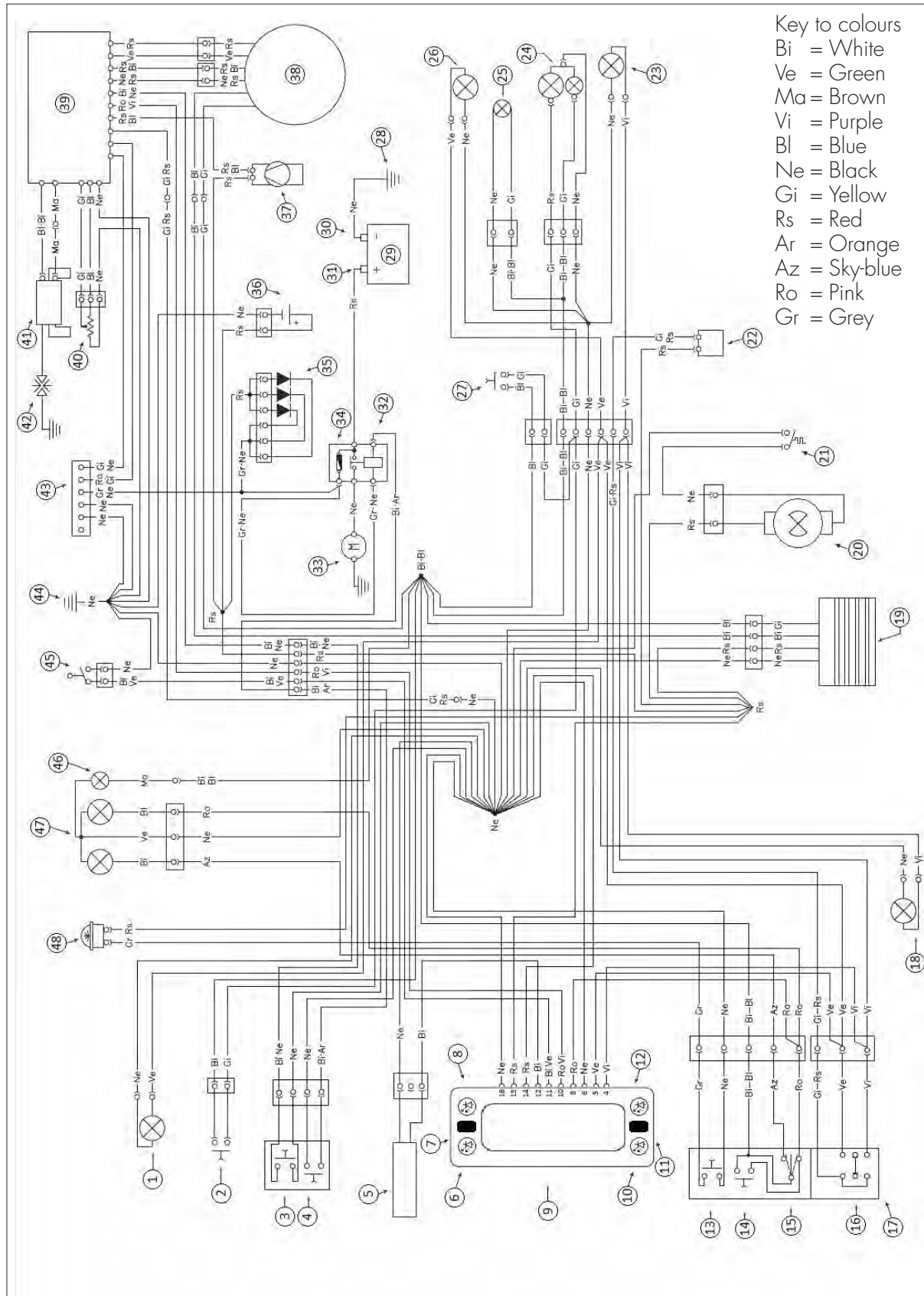
Version	XTRAINER 250 2T Europa	XTRAINER 250 2T	XTRAINER 300 2T Europa	XTRAINER 300 2T
Primary drive	27/72	27/72	27/72	27/72
Gear ratio 1 st gear	12/31	12/31	12/31	12/31
Gear ratio 2 nd gear	15/28	15/28	15/28	15/28
Gear ratio 3 rd gear	19/28	19/28	19/28	19/28
Gear ratio 4 th gear	20/24	20/24	20/24	20/24
Gear ratio 5 th gear	27/27	27/27	27/27	27/27
Gear ratio 6 th gear	28/24	28/24	28/24	28/24
Final drive	15/42	13/48	15/42	13/48

Exhaust valve.....centrifugal operation with reaction springs

Ignition DC-CDI without trembler,
with digital variable spark advance

Startingelectric starter (Kick-starter optional)

ELECTRICAL SYSTEM ELECTRICAL DIAGRAM



LEGEND ELECTRICAL DIAGRAM

- 1) RIGHT-HAND FRONT TURN INDICATOR 12V 6W
- 2) FRONT BRAKE LIGHT BUTTON
- 3) START BUTTON
- 4) ENGINE STOP BUTTON
- 5) WHEEL REVOLUTION SENSOR
- 6) TURN INDICATORS WARNING LIGHT
- 7) BUTTON 1
- 8) OIL RESERVE WARNING LIGHT
- 9) DASHBOARD
- 10) HEADLIGHT TELL TALE LAMP
- 11) BUTTON 2
- 12) DIAGNOSIS WARNING LIGHT
- 13) HORN BUTTON
- 14) FLASH-TO-PASS BUTTON
- 15) HEADLIGHT SELECTOR
- 16) TURN SIGNAL LAMPS SWITCH
- 17) LEFT-HAND CONTROL GROUP
- 18) LEFT-HAND FRONT TURN INDICATOR 12V 6W
- 19) REGULATOR
- 20) ELECTRIC FAN
- 21) THERMOSWITCH
- 22) UNIT TURN SIGNAL LAMPS
- 23) LEFT-HAND REAR TURN INDICATOR (12V 6W BULB)
- 24) TAIL LIGHT WITH LED
- 25) NUMBER-PLATE LIGHT
- 26) RIGHT-HAND REAR TURN INDICATOR (12V 6W BULB)
- 27) REAR STOP BUTTON
- 28) FRAME EARTH
- 29) BATTERY 12V 4AH
- 30) BATTERY NEGATIVE TERMINAL
- 31) BATTERY POSITIVE TERMINAL
- 32) STARTER RELAY
- 33) STARTER MOTOR
- 34) 10A FUSE
- 35) CHARGER DIODES GROUP
- 36) CONDENSATOR 4700 μ F
- 37) MIXER OIL PUMP
- 38) GENERATOR
- 39) ELECTRONIC CONTROL UNIT
- 40) TPS
- 41) HT COIL
- 42) SPARK PLUG
- 43) DIAGNOSIS CONNECTOR
- 44) FRAME EARTH
- 45) OIL RESERVE SENSOR
- 46) PARKING LIGHT 12V 5W
- 47) HEADLIGHT (12V-35/35W BULB)
- 48) 12V HORN



Oil Recommendations

RR & Xtrainer 2 Stroke Models: (Models WITH Oil Injection)

Injection Oil:	Motul 710
Transmission Oil:	Motul Transoil Expert 10w40
Brake Fluid:	Motul RBF 600
Coolant/Antifreeze:	Motul Motocool Expert
Fork Oil:	Motul Factory Line 5 wt.
Air Filter Oil:	Motul Air Filter Oil
Air Filter Cleaner:	Motul Air Filter Clean
Grease:	Motul Tech 300

CHAPTER 2 OPERATION

CONTENTS

Main parts	18
Fuel tank cap	18
Fuel cock	18
Starter	19
Mixer oil tank cap	19
Leva della frizione	19
LH switch	20
RH switch	20
Front brake lever and gas control	20
Gear change lever	21
Brake pedal	21
Side stand	21
Keys	21
Steering lock	22
Digital rpm indicator operating instructions	23
Checks before and after use	33
Running in	33
Refuelling	34
Oil mixer refuelling	35
Starting the engine	35
Engine shut-down	35

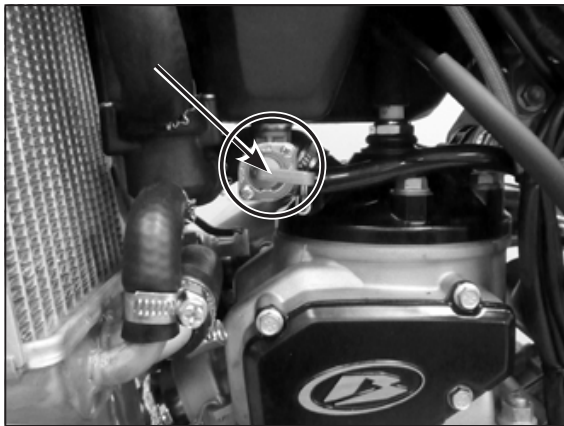


MAIN PARTS

FUEL TANK CAP

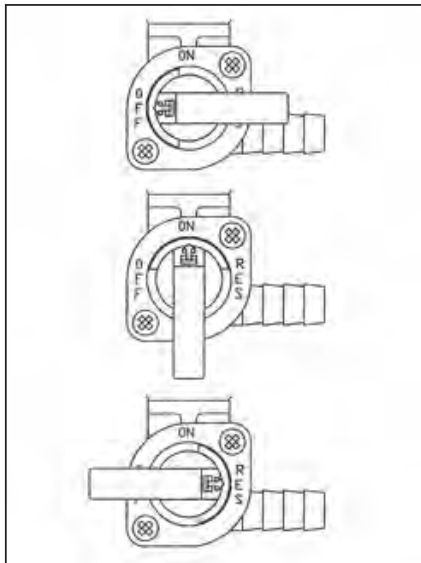
To open the fuel tank cap, turn it anticlockwise.

To close the fuel tank cap, set it on the tank and screw it clockwise.



FUEL COCK

Fuel cock has three positions:



OFF: fuel supply closed. Fuel cannot pass from the tank to the carburettor.

ON: fuel supply enabled. Fuel flows from the tank to the carburettor. The tank empties until it reaches the reserve level.

RES: reserve fuel supply. Fuel flows from the tank to the carburettor and the tank empties completely.

STARTER

The starter lever is located on the carburettor.

To operate the choke pull it upward.



MIXER OIL TANK CAP

The mixer oil tank cap is located under the saddle

To gain access remove the saddle (page 80).

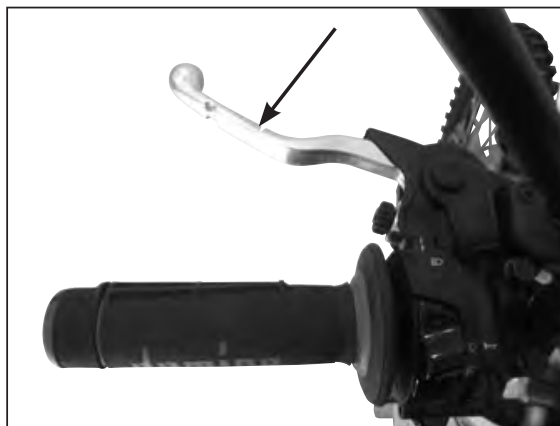


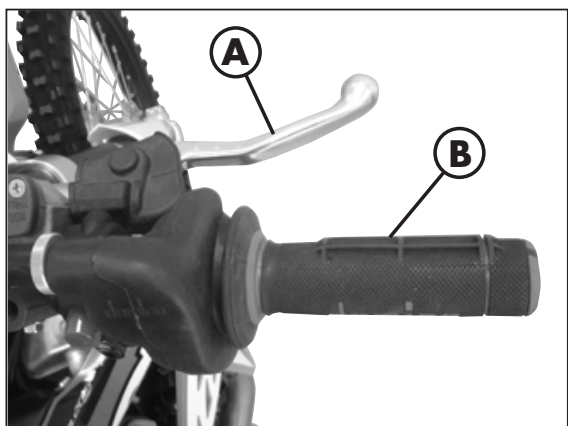
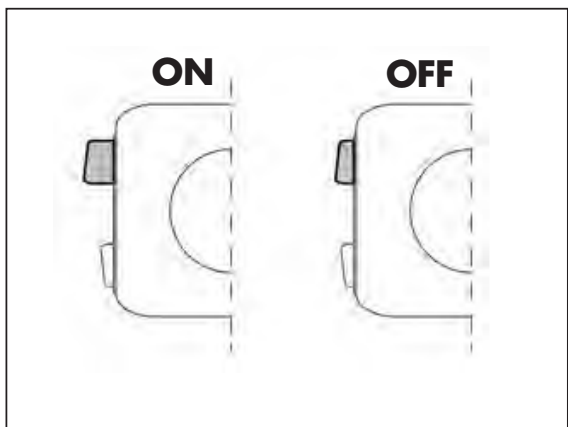
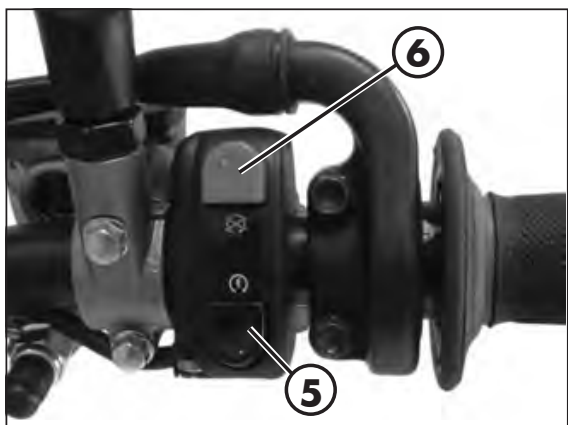
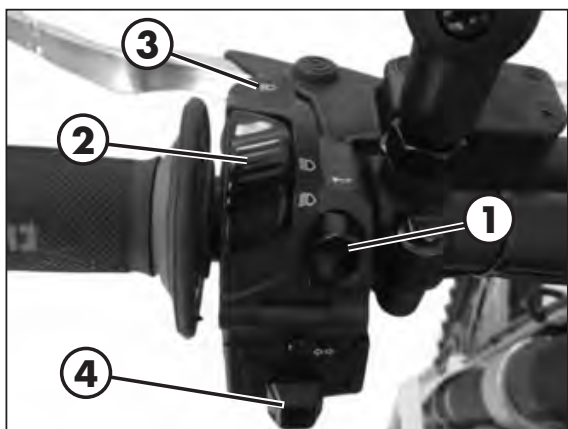
To open the fuel tank cap turn it anticlockwise.

To close the fuel tank cap, set it on the tank and screw it clockwise.

CLUTCH LEVER

Clutch lever is fitted to the left-hand side of the handlebars.





LH SWITCH

The dip and service switch is located on the left side of the handlebar and is composed as follows:

1 - Horn button;

2 - Dip switch:

 parking lights and high beam;

 parking lights and low beam;

3 - Flash-to-pass button;

4 - Turn signal light switch: shifting lever left or right activates the left or right indicators. When released, the lever returns to the central position. Press it to turn the indicators off.

RH SWITCH

Starter button **5** is located on the right-hand side of the handlebars and operate the electric engine starter. Press and hold the button until the engine starts.

Do not press the button **5** while the engine is running.

The button **6** turns off the engine.

Caution:

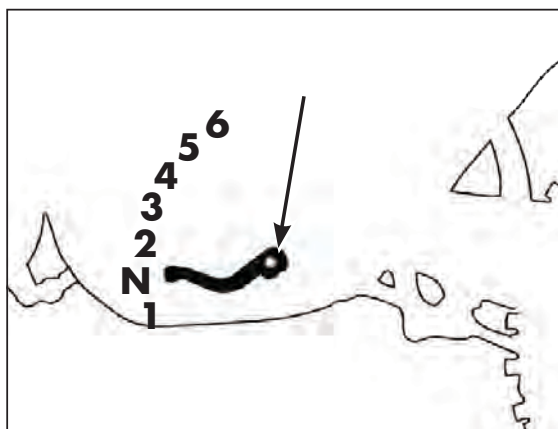
Before starting the engine, make sure the **6** button is ON.

FRONT BRAKE LEVER AND GAS CONTROL

The front brake lever **A** and the gas throttle **B** are located on the right side of the handlebar.

GEAR CHANGE LEVER

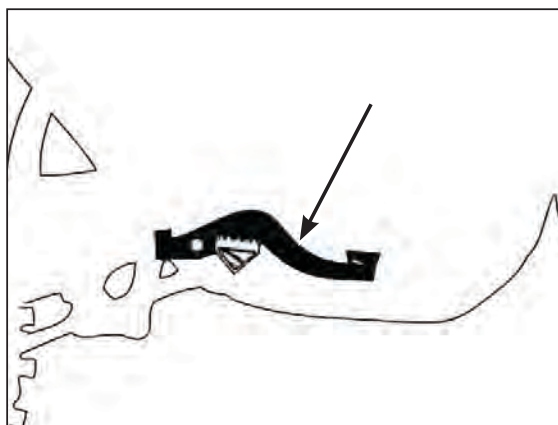
Gear change lever is fitted to the left side of the engine.
The positions corresponding to the different gears are shown in the figure.



BRAKE PEDAL

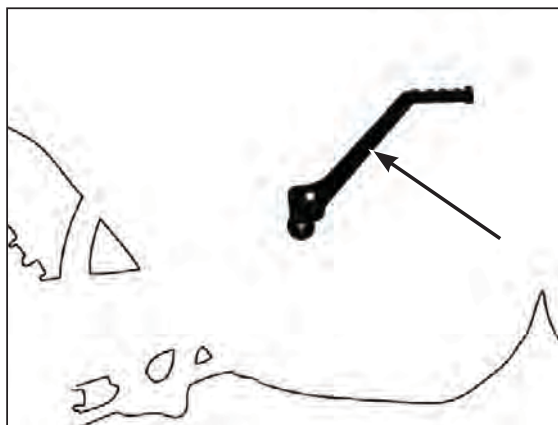
Brake pedal is located in front of the right-hand footrest.

The rear brake is operated by pressing down the pedal.



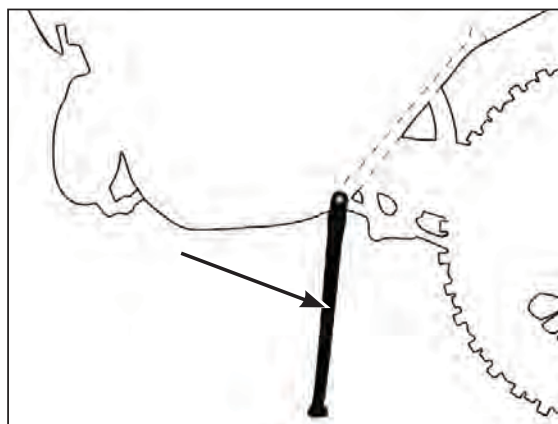
KICKSTART - OPTIONAL

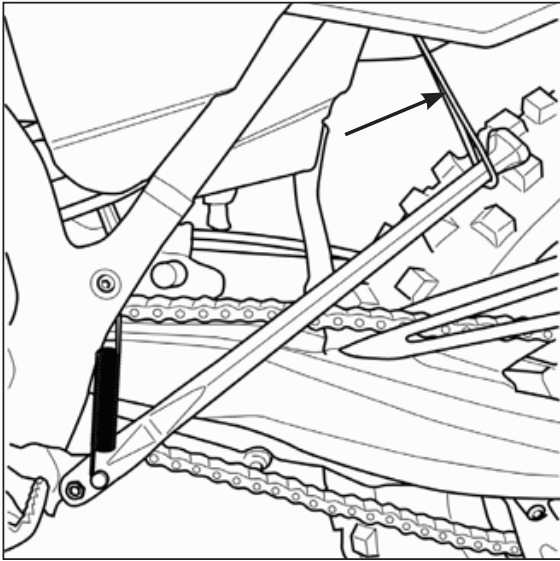
Kickstart is fitted to the right-hand side of the engine.
The upper part of the kickstart can be oriented.



SIDE STAND

Press down side stand with the foot and lean the vehicle against it.
Ensure that the ground is solid and the vehicle stands steadily.

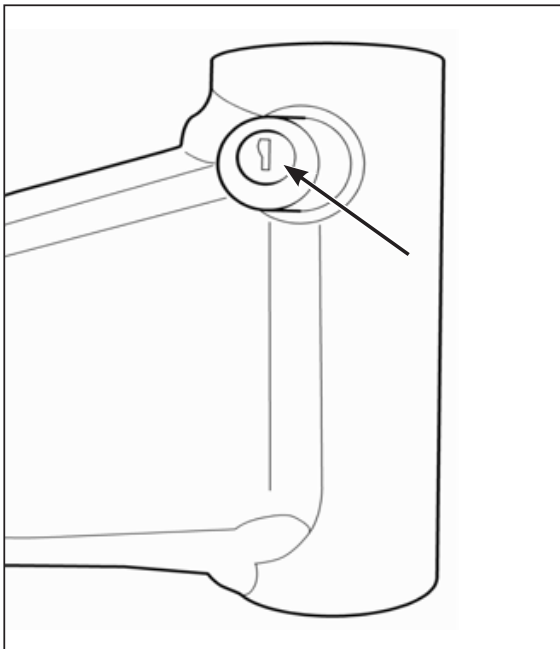




If the vehicle is used off-road, the closed stand can be further fastened by means of rubber band.

KEYS

The vehicle is supplied with two keys (one key and its spare).



STEERING LOCK

To activate the steering lock:

- turn the handlebar counter-clockwise;
 - push the key and turn counter-clockwise;
- Remove the key from this position.

To deactivate the steering lock:

- turn the key clockwise;
- turn the handlebar clockwise;

From this position, the handlebar is free to move, the key can be removed.

WARNING: do not keep the spare key inside the vehicle, but in a safe place.

We suggest you note the code number stamped on the keys. In this way you can obtain a duplicate.

DIGITAL RPM INDICATOR OPERATING INSTRUCTIONS

Index

- 1 General information
- 2 Operating condition
- 3 General characteristics
 - 3.1 Dashboard start-up process
 - 3.1.1 Wake up events
 - 3.2 LCD Display
 - 3.2.1 LCD general characteristics
 - 3.2.2 Speed
 - 3.2.3 Odometer
 - 3.2.4 Trip A
 - 3.2.5 Trip B
 - 3.2.6 Clock
 - 3.2.7 Ride Time
 - 3.2.8 Unit option display
 - 3.2.9 Wheel length display
 - 3.2.10 Motorbike battery level
 - 3.2.11 Push Button Management Table
 - 3.3 Telltales
- 4 Coin battery

1 GENERAL INFORMATION

The dashboard integrates these main blocks:

- LCD display for showing all required information
- 2 pushbuttons
- Coin battery



2 OPERATING CONDITION

Standard supply voltage:	10 to 16V
Minimum supply voltage w/o reset:	6.5V

3 GENERAL CHARACTERISTICS

3.1 DASHBOARD START-UP PROCESS

The dashboard do some start-up process when is turned ON. There are three different wakes up events for starting the dashboard.

This start-up process consists in turning ON the LCD backlight and the LCD will show all the segments during 2 seconds.

After the start-up process, dashboard is kept ON during 30 seconds if there are no events as pushbutton press, speed signal or engine ON.

3.1.1 WAKE UP EVENTS

3.1.1.1 Motorbike power supply is activated

When the power supply of dashboard is activated (e.g. when engine is turned on), the dashboard does the normal start-up process and is kept ON while

3.1.1.2 Wheel revolution

If the motorbike generated a speed pulse, the dashboard will be turned ON doing the normal start-up process. After the start-up process the dashboard will display the normal mode, and will be ON during 30 seconds if no speed pulse is generated.

3.1.1.3 Button is pushed

If one or both buttons are pushed the dashboard will be turned ON doing the start-up process.

After the start-up process the dashboard will display the normal mode, and will be ON during 30 seconds if no pushbutton is pressed.

3.2 LCD DISPLAY

Dashboard is equipped with a LCD display for showing following information:

- Speed
- SoC vehicle battery
- Odometer (distance or ride time)
- Trip TOTAL-A-B (distance or ride time)
- Clock



Each information/data is refreshed independently at different rate, depending on information type and variability of this information.

3.2.1 LCD GENERAL CHARACTERISTICS

Each information/data is refreshed independently at different rates, depending on information type and variability of this information.

3.2.2 SPEED

Dashboard computes and displays the motorbike speed on LCD display. Speed information can be obtained from:

Dedicated digital input for measuring speed sensor frequency.

3.2.2.1 Speed digital input configuration

Configuration parameters for speed input and speed visualization.

Dimensions displayed: [km/h or mph]

Minimum speed indication: [5 km/h]

Speedometer advance: [5 %]

Wheel parameters:

- Wheel perimeter selectable between 2 values:
 - Default wheel perimeter value: (enduro) 2100mm
 - 2nd wheel perimeter value: 1811mm
- Pulses per turn: [1 pulses/turn]

3.2.2.2 Speed LCD

Speed and speed units are permanently displayed (km/h or mph).

km/h display range: 0 to 199km/h.

mph display range: 0 to 199mph.

Leading zeros suppressed.

Following picture shows LCD displaying speed in km/h and mph:



3.2.3 ODOMETER

Dashboard provides an odometer and is displayed on LCD display.

This option can be displayed scrolling by "MODE" button.

6 digits and "ODO" icon lighted.

Leading zeros not suppressed.

Display range from 000000 to 999999 km or miles. If odometer is greater than 999999 km, odometer will be fixed as 999999km.

Minimum display unit: 1 km or mile.



3.2.4 TRIP A

Dashboard provides 2 trips and is displayed on LCD display.

This option can be displayed scrolling by "MODE" dashboard button.

4 digits (3digits + decimal point + 1 digit), "TRIP" icon lighted and "A" on the left.

Leading zeros suppressed.

Display range from 0.0 to 999.9 km or miles.

Trip A counter counts from 0 up to 999.9 and then rolls over to 0 and continue counting.

Minimum display unit: 0.1 km or miles.

Trip A reset by pressing "SET" button more than 2 seconds.

Trip A display the Trip A ride time pressing "SET" button less than 2 seconds. Ride time is showed as an hour decimal number. Examples: 30 min is 0.5 or 1h20min is 1.3.



3.2.5 TRIP B

This option can be displayed scrolling by "MODE" dashboard button. 4 digits (3digits + decimal point + 1 digit), "TRIP" icon lighted and "B" on the left. Leading zeros suppressed.

Display range from 0.0 to 999.9 km or miles.

Trip B counter counts from 0 up to 999.9 and then rolls over to 0 and continue counting.

Minimum display unit: 0.1 km or miles.

Trip B reset by pressing "SET" button more than 2 seconds.

Trip B display the Trip B ride time pressing "SET" button less than 2 seconds. Ride time is showed as an hour decimal number. Examples: 30 min is 0.5 or 1h20min is 1.3 .



3.2.6 CLOCK

Dashboard provides a clock and is displayed on LCD display. Time is obtained from internal crystal quartz and is kept while dashboard is connected to coin battery.

Clock format	If units of measure are km 24h
	If units of measure are mi 12h



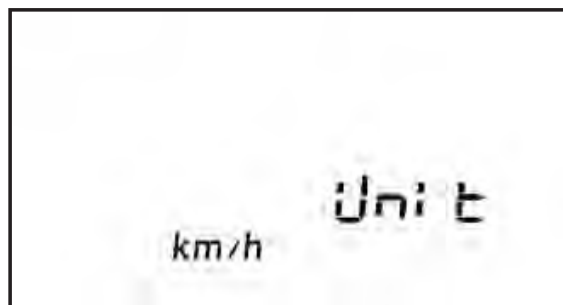
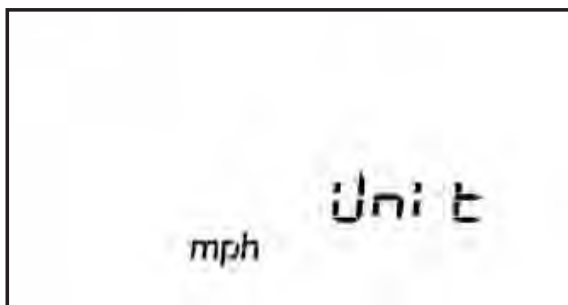
3.2.7 RIDE TIME

Dashboard provides a Ride Time and is displayed on LCD display. Time is obtained from internal crystal quartz and is kept with a push buttons. When the motorbike is turned on the ride time starts again.



3.2.8 UNIT OPTION DISPLAY

Dashboard provides the possibility to change the units and be displayed.

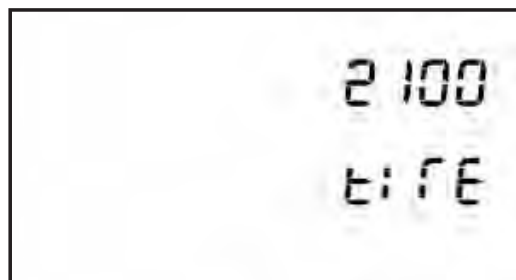
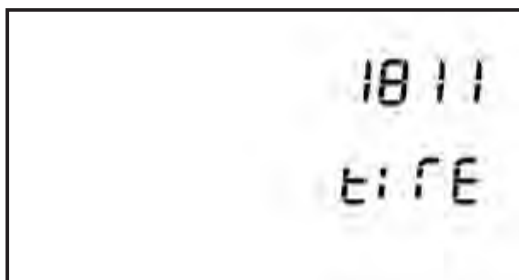


3.2.9 WHEEL LENGTH DISPLAY

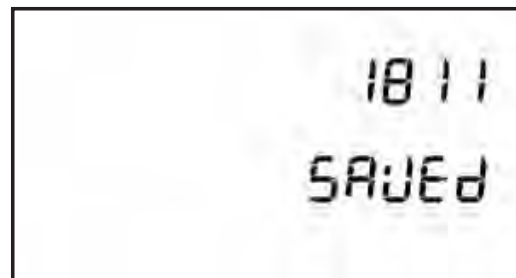
Dashboard provides the possibility to change the wheel length and be displayed. The length can be selected between 2 fixed values:

2100mm (enduro)

1811mm



Pushing mode and set more than 2 seconds wheel length is saved. "Saved" will be displayed during 1 second on Dashboard.



3.2.10 MOTORBIKE BATTERY LEVEL

Dashboard displays level of voltage of battery power supply:
Relationship between bars and level of voltage:

Bars	Voltage [V]	Bars	Voltage [V]
0 → 1	11	4 → 5	13
1 → 2	11.5	5 → 6	13.5
2 → 3	12	6 → 7	14
3 → 4	12.5	7 → 8	14.5

Battery level is updated every 30 seconds. Each update increase or decrease 1 bar.



WARNING:

If the word "HIGH" appears with the battery indicator flashing, turn off the engine and disconnect the battery as described on page 70.

Contact authorised BETAMOTOR customer service.



3.2.11 PUSH BUTTON MANAGEMENT TABLE

Mode	Speed	Function	Button	Time (sec)	Activity
ODO			MODE	<2	TOTAL- TRIPA - TRIPB - TOTAL
			SET	<2	Ride time- km – Ride time
	0	CLOCK MODE	MODE&SET	>2	CLOCK MODE
	0	WHEEL LENGTH	MODE	>10	WHEEL LENGTH MODE
	0		SET	>10	Km/h - mph - Km/h
TRIPA			MODE	<2	TRIPA - TRIPB - ODO - TRIPA
			SET	<2	Ride Time- Km– Ride time
			SET	>2	Reset Trip A and Ride time
	0	CLOCK MODE	MODE&SET	>2	CLOCK MODE
TRIPB			MODE	<2	TRIPB - ODO – TRIPA - TRIPB
			SET	<2	Ride Time- Km– Ride time
			SET	>2	Reset Trip A and Ride time
	0	CLOCK MODE	MODE&SET	>2	CLOCK MODE

2

OPERATION

Mode	Speed	Function	Button	Time (sec)	Activity
CLOCK MODE	0	"On Entering Stop Clock Mode"	MODE	<2	Increase in the Hour digits
			MODE	>2	Speedy increase in the Hour digits
			SET	<2	Increase in the minutes digits
			SET	>2	Speedy increase in the minutes digits
			MODE&SET	>2	Exit clock set mode and save the value
			NO ACTION	>10	Auto exit without saving

Mode	Speed	Function	Button	Time (sec)	Activity
WHEEL LENGTH	0	On entering wheel length mode	MODE	<2	Change wheel 2100 - 1811
			MODE&SET	>2	Exit wheel length mode and save the value
			NO ACTION	>10	Auto exit without saving







3.3 TELLTALES

LED number indicator:



Telltales/Indicator lights specifications:

Number of telltales: 4

LED number	Function	Symbol
LED 1	Blinkers	
LED 2	High beam	
LED 3	Oil Reserve	
LED 4	MIL telltale (Engine management system fault)	

2

Power +12V are provided to the dashboard only when the bike is turned on (regulator line).

Blinkers LED 

The system activates the indicator in synchrony with the activation of the direction indicators

High beam LED 

The system activates the indicator in synchrony with the activation of the high beam.

Oil reserve LED 

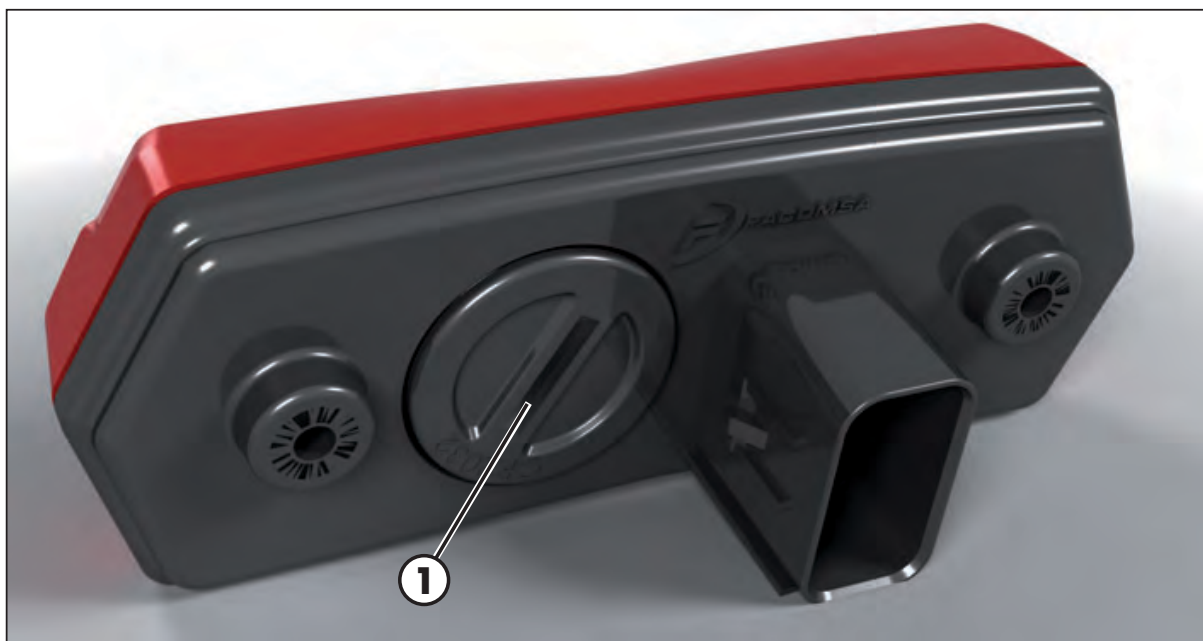
MIL LED 

Indicates a fault in the engine management system. In case of prolonged lighting, consult an authorised Betamotor dealer as soon as possible.

Following the initial check of the instrument, the light remains active for another two seconds.

4 COIN BATTERY

Dashboard is equipped with a coin battery (1) for keeping time when motorbike is off. Coin size: CR2032.



CHECKS BEFORE AND AFTER USE

For safe driving and long vehicle life you should:

- 1 Check the integrity of the oil pipe connecting the intake manifold to the electronic dosing.
- 2 Check all fluid levels.
- 3 Check the correct operation of the brakes and brake pad wear (page 56).
- 4 Check pressure, general condition and thickness of tread (page 67).
- 5 Check that the spokes are properly tightened.
- 6 Check the tensioning of the chain (page 67).
- 7 Check the adjustment and the operation of all the cable controls.
- 8 Inspect all the nuts and bolts.
- 9 With the engine running, check the operation of the headlight, the rear and brake lights, the indicators, the warning lights and the horn.
- 10 Wash the motorcycle thoroughly after off-road use (page 73).

RUNNING IN

The running-in period lasts approximately 15 hours, during which it is advisable to:

- 1 Make the first refuelling with a mixture of 1%.
- 2 Use the oil indicated on page 16 in the "Recommended lubricants and liquids" table.
- 3 During the first 3 hours of operation the engine should only be used to approximately 70 percent of its power. In addition, the engine speed should not exceed 7,000 rpm.
- 4 For the next 2 hours of operation the engine should only be used to about 90 percent of its power.
- 5 Use the vehicle after properly warming up the engine.
- 6 Avoid travelling at constant speed (changing the speed causes the different components to bed in evenly and more quickly).

This procedure should be followed each time piston, piston rings, cylinder, crankshaft or crankshaft bearings are replaced.

WARNING

Replace the transmission oil after the first 3 hours or after 15 l. of mixture.

2 REFUELLING

Use unleaded petrol.

Fuel tank capacity is shown on page 10.

To refuel open the tank cap (page 18).

After refuelling, screw the cap back and tighten securely.



WARNING

The refuelling should be performed with the engine off.



WARNING:

Fire hazard. Fuel is highly flammable.



Always stop the engine when refuelling and keep open flames and lighted cigarettes away.



Do not top up fuel while using a mobile phone.

Refuel in an open well ventilated area.

Pay special attention so that the fuel does not come into contact with hot parts of the vehicle. Immediately clean up any spilled fuel.



WARNING: Risk of poisoning.

Fuel is poisonous liquid and a health hazard.



Fuel must not come into contact with the skin, eyes, and clothing. Do not breathe in the fuel vapours. If contact occurs with the eyes, rinse immediately with plenty of water and seek medical advice. If contact occurs with skin, immediately clean contaminated areas with soap and water. If fuel is swallowed, contact a doctor immediately. Change clothing that is contaminated with fuel.

WARNING: Environmental pollution hazard.

The fuel must not contaminate the ground water, the ground, or the sewage system.

OIL MIXER REFUELLING

To refuel open the tank cap (page 19).

Fuel tank capacity is shown on page 10.

After refuelling, screw the cap back and tighten securely.

Use the oil indicated on page 16 in the "Recommended lubricants and liquids" table.

STARTING THE ENGINE

Move the fuel tank valve in **ON** or **RES** position (page 18).

Check that the gears are in neutral (page 21).

Pull the clutch lever (page 19).

Close the side stand (page 21).

WHIT ELECTRIC STARTER (page 20):

Push the button until the engine starts.

Do not press the button while the engine is running.

COLD STARTING:

Operate the starter (page 19), start the vehicle, wait a few seconds, then move the starter back to its starting position.

ENGINE SHUT-DOWN

To shut-down the engine press the button  on the left switch unit (page 20).

NOTE:

With the engine off, make sure the fuel cock is set to OFF (page 18).

CHAPTER 3 ADJUSTMENTS

CONTENTS

Key to symbols.....	38
Brakes	38
Front brake	38
Rear brake	38
Clutch.....	38
Adjustment of gas clearance.....	39
Adjusting the idle speed.....	39
Carburetor settings according to the working conditions.....	40
Exhaust valve control adjustment	43
Handlebar adjustment	43
U-bolt position adjustment.....	43
Adjustment of the handlebar position	44
Adjusting fork	44
Adjusting the rebound damper	44
Adjusting the spring preload	44
Shock absorber.....	45
Adjusting the rebound damper	45
Adjusting the hydraulic compression damper	45
Adjusting the spring preload.....	46
Static sag load test	46

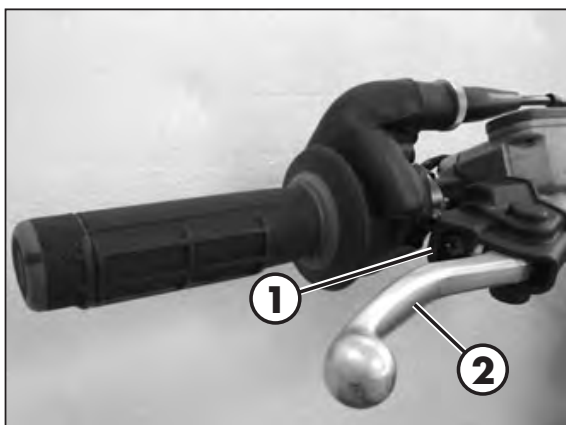
KEY TO SYMBOLS



Tightening torque



Threadlocker Medium

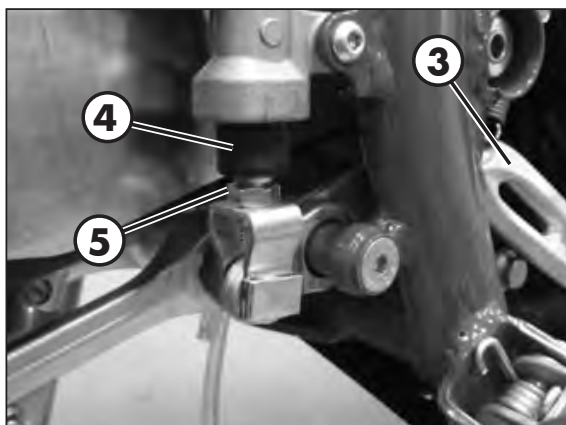


BRAKES

FRONT BRAKE

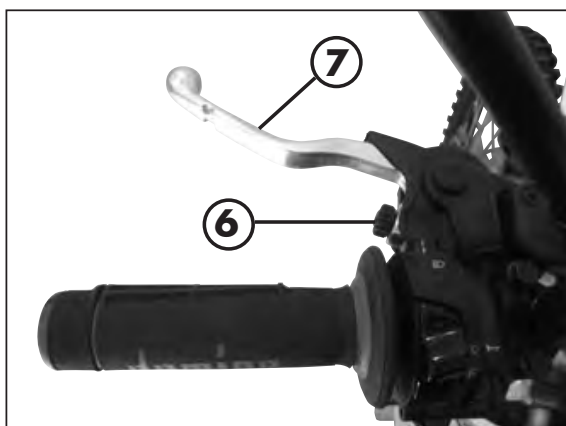
The front brake is disk type with hydraulic control.

The home position of brake lever **2** can be adjusted by means of screw **1**.



REAR BRAKE

The home position of brake pedal **3** can be altered by turning adjusting screw **5** after loosening the counternut located under dust cap **4**. Loosen the counternut and turn the adjusting screw until the desired height is obtained. Retighten the counternut after completing the operation.

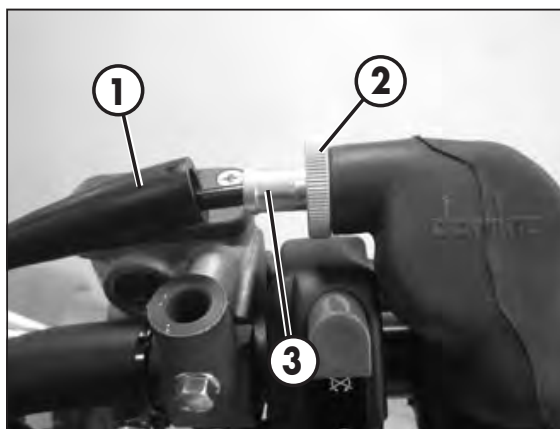


CLUTCH

The adjustment screw **6** allows adjustment of the distance of lever **7** from the knob. The empty run is recovered automatically.

ADJUSTMENT OF GAS CLEARANCE

The throttle control cable should always have a 3-5 mm play. In addition, the idle speed should not change when the handlebars are fully rotated to the left or right. Push back protective cap **1**. Loosen counternut **2** and turn adjusting screw **3**. Tighten the counternut and check that the throttle twist grip turns smoothly.



ADJUSTING THE IDLE SPEED

Idling adjustment greatly affects the appropriate start-up and the accelerator response.

Idling is adjusted through adjustment screw **1** and air adjustment screw **2**. Adjustment screw **1** adjusts the basis position of the gas valve. Turn the screw clockwise to increase the rotation conditions and counterclockwise to diminish it. The air adjustment screw **2** adjusts the quantity of which is mixed to the fuel for idling. If the screw is turned counterclockwise, the quantity of air increases (thin mix), if turned clockwise, the quantity of air diminishes (fat mix).



To properly adjust the idle speed, follow these steps:

- Tighten the air adjustment screw no. 2 fully and then loosen it up to the value described in the carburetor setting table (page 12)
- Warm the engine for approx. 5 minutes, until the operational temperature is attained.
- Slowly turn the air adjustment screw **2** clockwise, until idling starts diminishing.
- Mark the position, then slowly turn the air adjustment screw no. **2** counterclockwise, until idling decreases again.
- Adjust the screw between these two positions, at the highest idling point.

If a remarkable increase in the rpm occurred during the adjustment above, idling is to be reduced and taken back to the normal level, and then execute the above procedure.

If no satisfactory results are obtained after the procedure, this may be due to an incorrect slow-running jet.

If the air adjustment screw has been thoroughly tightened, but the rpm have not varied, a lower size slow-running jet is to be used.

Execute the adjustment procedure again after replacing the jet.

NOTE:

The correct idling should be between 1500 and 1600 rpm.

CARBURETOR SETTINGS ACCORDING TO THE WORKING CONDITIONS

See the following tables to adjust the carburetor settings according to ambient temperature and altitude.

Legend:

SLM	Above sea level
AVA	Air screw opening (from all closed)
Gm	Slow jet
SPL	Needle
POS	Needle position (from top)
GM	Main jet
VLV	Valve

Standard settings

XTRAINER 250 2T							
Altitude (SLM)	Carburetor setting	Ambient temperature					
		-20°C ÷ ÷-7°C	-6°C ÷ 5°C	6°C ÷ 15°C	16°C ÷ 24°C	25°C ÷ 36°C	37°C ÷ 49°C
		-2°F ÷ 20°F	19°F ÷ 41°F	42°F ÷ 60°F	61°F ÷ 78°F	79°F ÷ 98°F	99°F ÷ 120°F
3000 m	AVA	1,25	1,5	1,5	2	2	
10000 ft	Gm	35	35	35	35	35	
↑	GM	155	152	150	148	145	
	SPL	NOZK	NOZK	NOZK	NOZK	NOZL	
2301 m	POS	3	3	3	2	1	
7501 ft	VLV	7,5	7,5	7,5	7,5	7,5	
2300 m	AVA	1,25	1,25	1,5	1,5	2	2
7500 ft	Gm	38	35	35	35	35	35
↑	GM	158	155	152	150	148	145
	SPL	NOZK	NOZK	NOZK	NOZK	NOZK	NOZL
1501 m	POS	3	3	3	3	2	1
5001 ft	VLV	7,5	7,5	7,5	7,5	7,5	7,5
1500 m	AVA	1,25	1,25	1,25	1,5	1,5	2
5000 ft	Gm	38	38	35	35	35	35
↑	GM	160	158	155	152	150	148
	SPL	NOZJ	NOZK	NOZK	NOZK	NOZK	NOZK
751 m	POS	4	3	3	3	3	2
2501 ft	VLV	7,5	7,5	7,5	7,5	7,5	7,5
750 m	AVA	1,25	1,25	1,25	1,25	1,5	1,5
2500 ft	Gm	40	38	35	35	35	35
↑	GM	162	160	158	155	152	150
	SPL	NOZJ	NOZJ	NOZK	NOZK	NOZK	NOZK
301 m	POS	5	4	3	3	3	3
1001 ft	VLV	7,5	7,5	7,5	7,5	7,5	7,5
300 m	AVA	1	1,25	1,25	1,25	1,25	1,5
1000 ft	Gm	40	40	38	38	35	35
↑	GM	165	162	160	158	155	152
	SPL	NOZJ	NOZJ	NOZJ	NOZK	NOZK	NOZK
0 m	POS	5	5	4	3	3	3
0 ft	VLV	7,5	7,5	7,5	7,5	7,5	7,5

XTRAINER 300 2T							
Altitude (SLM)	Carburetor setting	Ambient temperature					
		-20°C ÷ ÷-7°C	-6°C ÷ 5°C	6°C ÷ 15°C	16°C ÷ 24°C	25°C ÷ 36°C	37°C ÷ 49°C
		-2°F ÷ 20°F	19°F ÷ 41°F	42°F ÷ 60°F	61°F ÷ 78°F	79°F ÷ 98°F	99°F ÷ 120°F
3000 m	AVA	1,5	2	2	2,5	2,5	
10000 ft	Gm	35	35	35	35	35	
↑	GM	155	152	150	148	145	
	SPL	NOZJ	NOZJ	NOZK	NOZK	NOZK	
2301 m	POS	2	2	1	1	1	
7501 ft	VLV	7,5	7,5	7,5	7,5	7,5	
2300 m	AVA	1,5	1,5	2	2	2,5	2,5
7500 ft	Gm	38	35	35	35	35	35
↑	GM	158	155	152	150	148	145
	SPL	NOZJ	NOZJ	NOZJ	NOZK	NOZK	NOZK
1501 m	POS	2	2	2	1	1	1
5001 ft	VLV	7,5	7,5	7,5	7,5	7,5	7,5
1500 m	AVA	1,5	1,5	1,5	2	2	2,5
5000 ft	Gm	38	38	35	35	35	35
↑	GM	160	158	155	152	150	148
	SPL	NOZI	NOZJ	NOZJ	NOZJ	NOZK	NOZK
751 m	POS	2	2	2	2	1	1
2501 ft	VLV	7,5	7,5	7,5	7,5	7,5	7,5
750 m	AVA	1,5	1,5	1,5	1,5	2	2
2500 ft	Gm	40	38	38	35	35	35
↑	GM	162	160	158	155	152	150
	SPL	NOZI	NOEI	NOZJ	NOZJ	NOZJ	NOZK
301 m	POS	3	2	2	2	2	1
1001 ft	VLV	7,5	7,5	7,5	7,5	7,5	7,5
300 m	AVA	1	1,5	1,5	1,5	1,5	1,5
1000 ft	Gm	40	40	38	38	35	35
↑	GM	165	162	160	158	155	152
	SPL	NOZH	NOZI	NOZI	NOZJ	NOZJ	NOZJ
0 m	POS	4	3	2	2	2	2
0 ft	VLV	7,5	7,5	7,5	7,5	7,5	7,5

EXHAUST VALVE CONTROL ADJUSTMENT

ATTENTION! The vehicle is provided with an exhaust valve whose fine tuning is performed during the final try-out of the engine.

Turn IN [clockwise] for softer power delivery

Turn OUT [counter-clockwise] for a harder "hit"

HANDLEBAR ADJUSTMENT

U-BOLT POSITION ADJUSTMENT

The lower bracket **1** can be mounted in correspondence of the holes nr. **2**, **3** or **4** respectively.

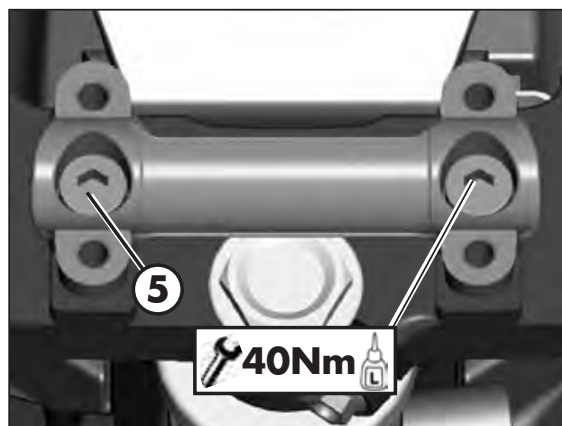
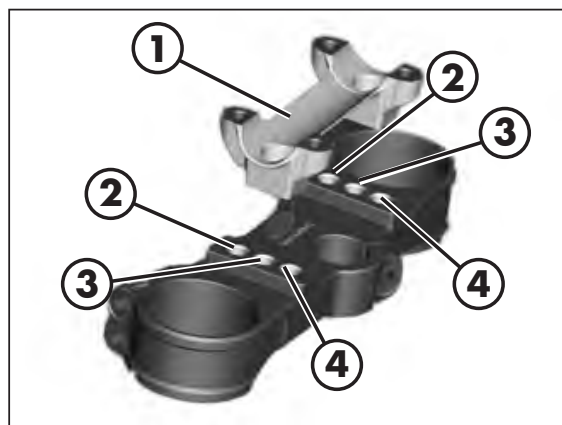
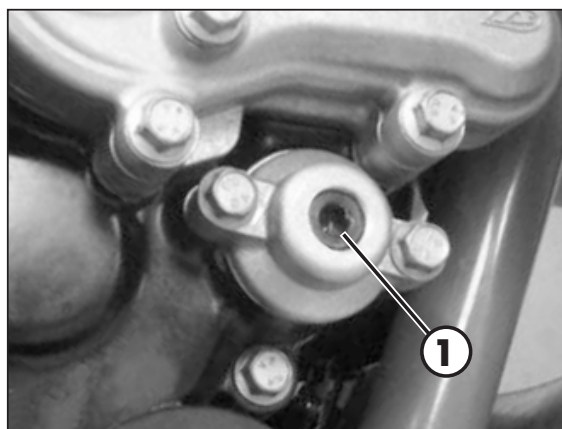
To adjust the position of the u-bolt remove the screws shown in the figure.

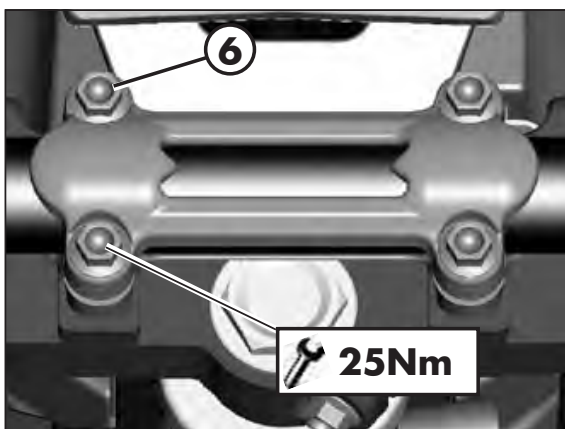
Remove the handlebar.

Remove the screws **5**.

Position the U-bolt according to requirements.

At the end refit the screws **5** after the application of thread lock fluid and tighten to the torque indicated.

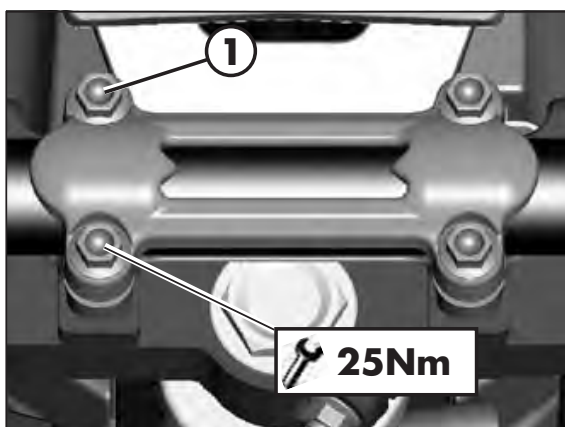




Apply the handlebar.

Apply the top u-bolt.

Refit the screws **6**. Tighten to the torque indicated.



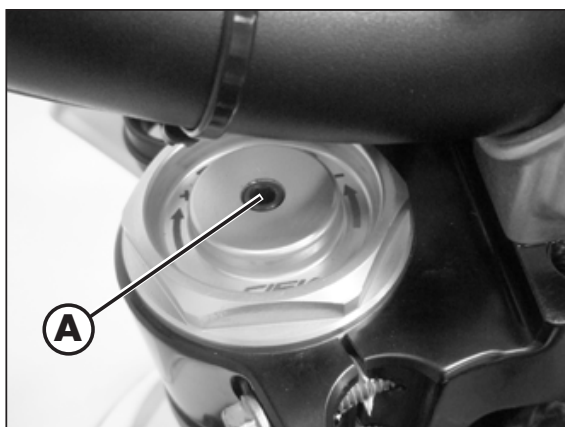
ADJUSTMENT OF THE HANDLEBAR POSITION

The handlebar can be adjusted by rotating it back and forth.

To adjust the handlebar loosen screws **1**.

Position the handlebar according to requirements.

Tighten to the torque indicated.



ADJUSTING FORK

ADJUSTING THE REBOUND DAMPER

The hydraulic rebound damper determines the behaviour of the telescopic fork during extension and can be adjusted by means of screw **A**. Turning the screw clockwise increases the action of the rebound damper; turning it anticlockwise decreases the action of the rebound damper.

For standard calibration, refer to page 11.



ADJUSTING THE SPRING PRELOAD

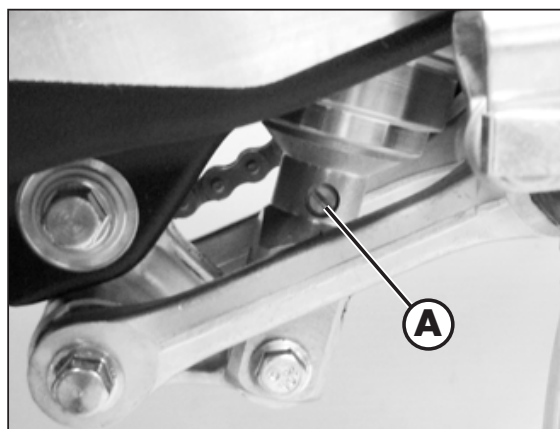
Spring preload is adjusted by means of screw **B**. Turning clockwise will increase the preload, while rotating counter-clockwise decreases the preload.

For standard setting, refer to page 11.



SHOCK ABSORBER

ADJUSTING THE REBOUND DAMPER

Turn screw **A** to adjust the hydraulic rebound damper.

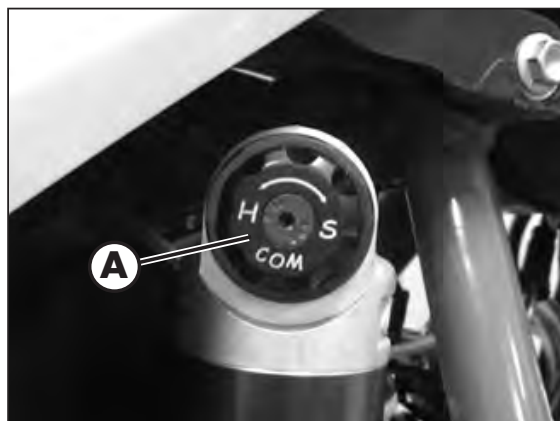


For adjustment refer to the table on the side.
For standard setting, refer to page 11.



Increase braking effect	Decrease braking effect
	

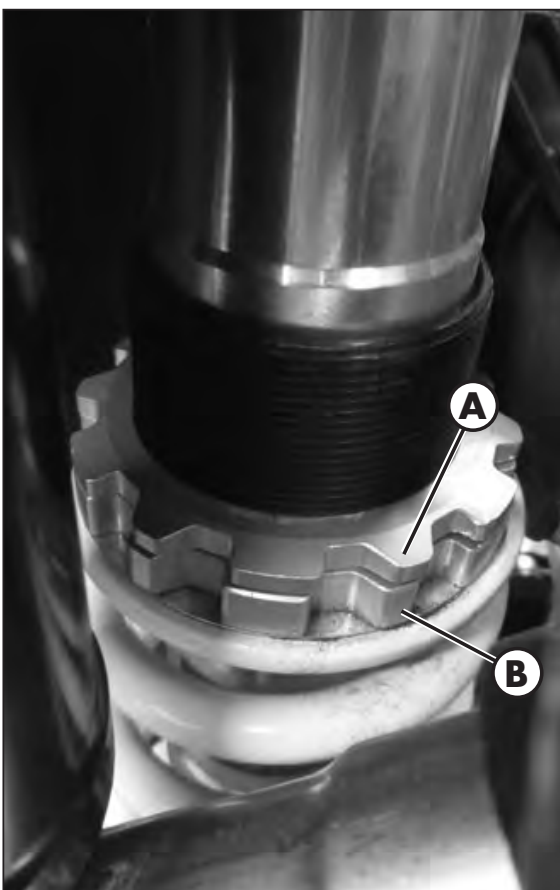
ADJUSTING THE HYDRAULIC COMPRESSION DAMPER

Turn knob **A** to adjust the hydraulic compression damper.



For adjustment refer to the table on the side.
For standard setting, refer to page 11.

Increase braking effect	Decrease braking effect
	



ADJUSTING THE SPRING PRELOAD

To adjust the spring preload, use the procedure described below:

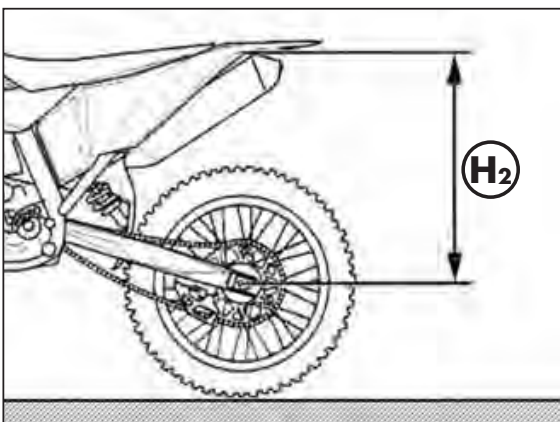
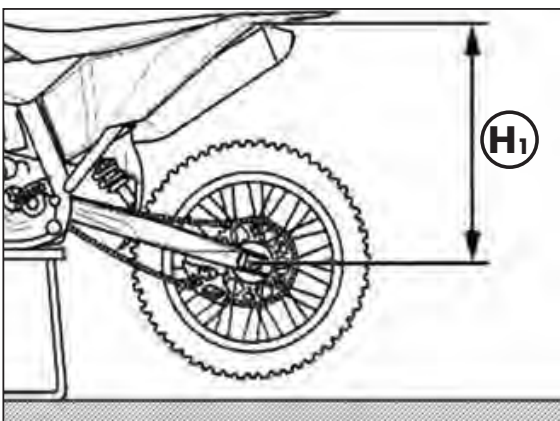
Loosen the locking dowel **A**.

Turn the ring nut **B** until you reach the desired preload.

Lock the locking dowel **A**.

For standard setting, refer to page 11.

Note: for movement of the rings use a specific sector key with square pin.



STATIC SAG LOAD TEST

To verify the static sag of the shock absorber proceed as follows:

- Place the motorcycle on the work stand.
- Measure the vertical distance between the rear wheel axle and a reference point on the rear fairings.
- Write down the dimension H_1 .
- Remove the work stand.
- Keep the motorcycle in vertical position and measure again the distance between the wheel axle and the reference point previously established.
- Write down the dimension H_2 .

Verify that the value of the static compression $X = H_1 - H_2$ matches the one shown on page 11. Otherwise, perform the adjustment of the spring preload as described above.

CHAPTER 4 CHECKS AND MAINTENANCE

CONTENTS

Key to symbols.....	48
Engine oil.....	48
Check the level	48
Replacement.....	48
Liquid coolant.....	49
Check the level	49
Replacement.....	50
Air filter	52
Removing and installing air filter	52
Air filter cleaning - XTRAINER 250/300 2T	53
Spark plug	53
Carburettor	54
Draining the carburettor float chamber.....	54
Checking the float level.....	55
Front brake.....	56
Check the level of the front brake fluid	56
Restoring the level of the front brake fluid	56
Bleeding the front brake	57
Front brake lining control	58
Brake disc thickness control	58
Rear brake	59
Check the level of the rear brake fluid.....	59
Restoring the level of the rear brake fluid.....	59
Bleeding the rear brake	60
Rear brake lining control.....	61
Brake disc thickness control	61
Clutch control	62
Check the level	62
Bleeding	63
Check and adjusting of steering play.....	64
Front wheel	65
Tightening	65
Fork.....	66
Rear suspension leverage.....	66
Tyres.....	67
Chain.....	67
Check and adjust tightening chain.....	67
Check for chain wear	68
Headlight.....	69
Replacing the headlight bulbs.....	69
Tail light.....	69
Battery.....	70
Battery removal and assembly	70
Inactivity	71
Charging the battery	71
Fuses	72
Cleaning the vehicle.....	73
General precautions	73
Prolonged inactivity	74
Scheduled maintenance vehicle	75
Tightening torque overview	77

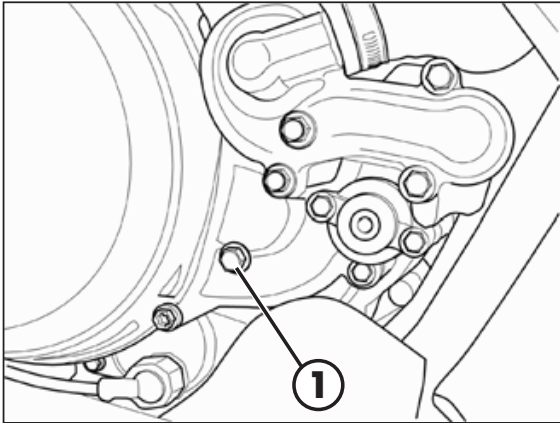
KEY TO SYMBOLS



Tightening torque



Threadlocker Medium



ENGINE OIL

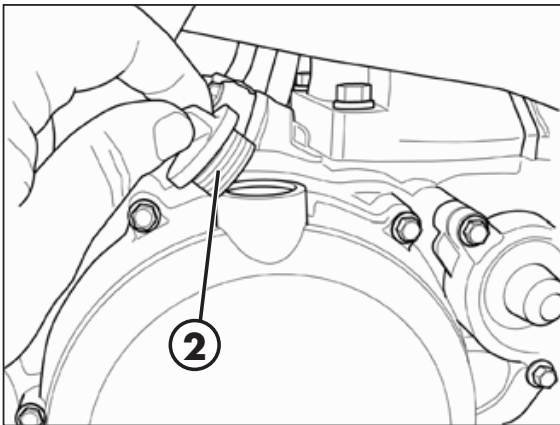
CHECK THE LEVEL

Hold the vehicle upright.
Position the drive on a flat base ensuring stability.

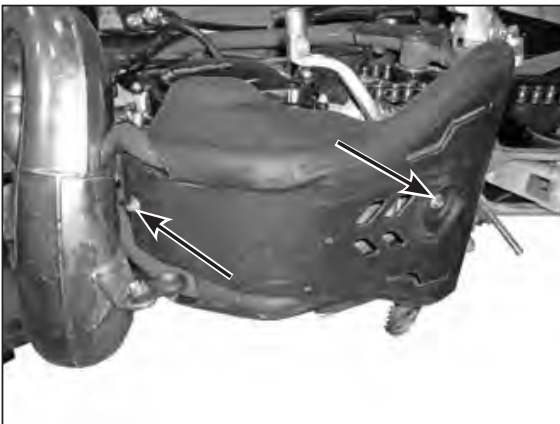
Remove the inspection cap **1**.

The oil level must arrive to the lower edge of check hole.

Otherwise restore the oil level through plug **2**.



Use the oil indicated on page 16 in the "Recommended lubricants and liquids" table.



REPLACEMENT

Always perform the replacement when engine is hot:

- Position the drive on a flat base ensuring stability.
- Remove the engine casing by loosening the screws shown in the figure.
- Place a container under the engine.



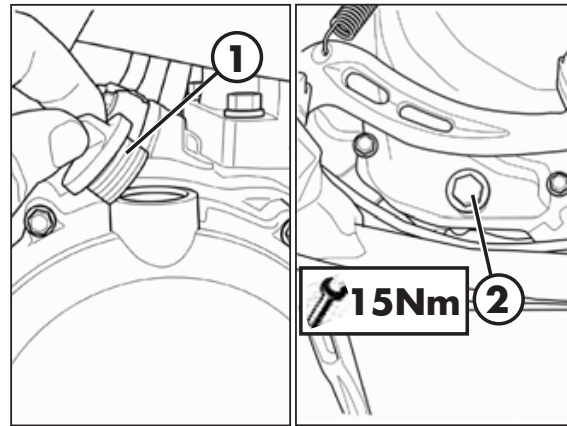
WARNING:

Hot oil can cause severe burns!

- Unscrew filler plug **1** and drain plug **2**.
- Drain all the oil from the crankcase.
- Place the cap **2** and tighten to specified torque.

Pour in the quantity of liquid indicated on page 10.

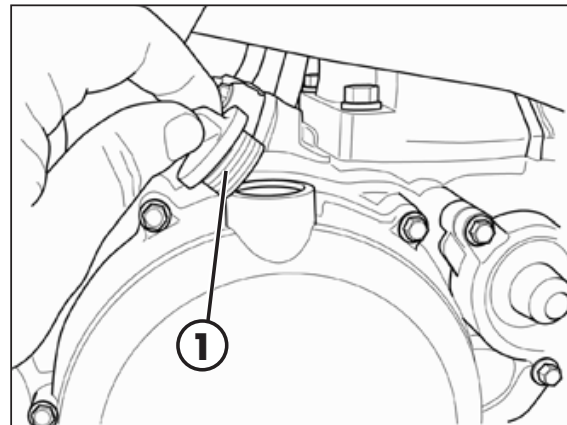
Use the oil indicated on page 16 in the "Recommended lubricants and liquids" table.



Screw on filler cap **1** again.

WARNING:

Dispose of used oil in compliance with the regulations in force.



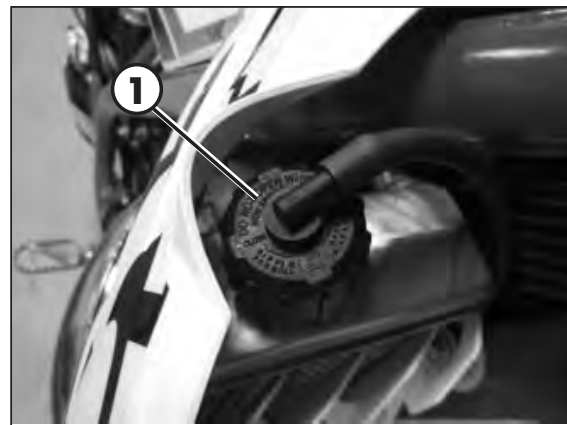
LIQUID COOLANT

CHECK THE LEVEL

Keep the vehicle in vertical position relative to the ground.

The level of the coolant must be checked when the engine is cold. Use the following procedure:

- Unscrew cap **1** and ensure that the liquid is visible in the lower portion of the loading tube.
- In the case in which the liquid is not visible remove the vent screw **2** and proceed topping up.
- At the end of operation refit the filler cap and the vent screw.



Use the oil indicated on page 16 in the "Recommended lubricants and liquids" table.



WARNING:

Never unscrew the filler cap of the radiator when the engine is hot. Danger of burning!



**WARNING:**

Wear appropriate protective clothing and protection gloves.



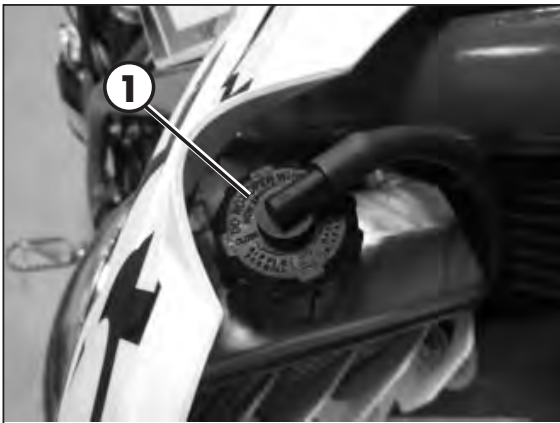
Keep coolant out of reach of children.



Avoid any direct contact of the coolant with skin, eyes or clothing. If this happens:

- with the eyes, rinse immediately with plenty of water and seek medical advice;
- with skin, Immediately clean contaminated areas with soap and water Change clothing that is contaminated with coolant.

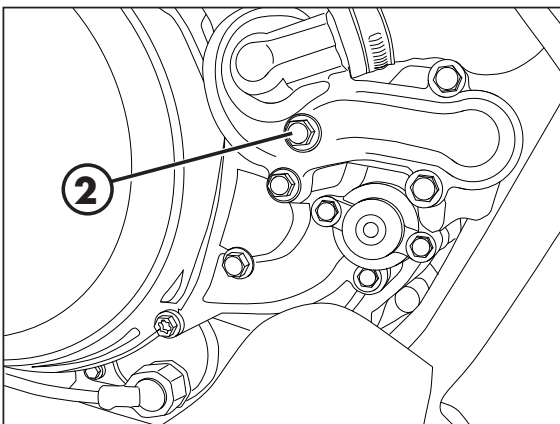
If coolant is swallowed, contact a doctor immediately.

**REPLACEMENT**

Keep the vehicle in vertical position relative to the ground.

Replacement of the coolant must take place when the engine is cold.

- Unscrew cap **1**.



- Place a container under screw **2**.

- Unscrew the screw **2**.

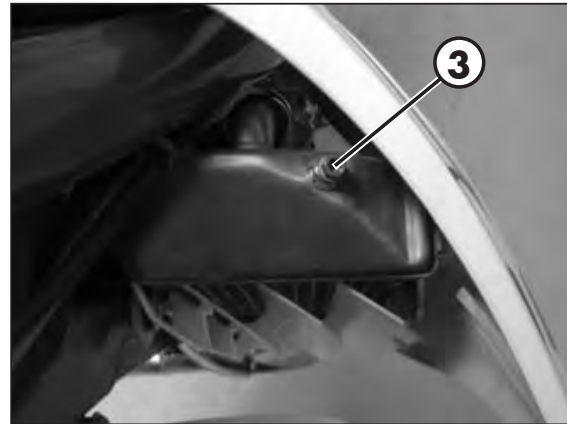
- Drain the liquid.

- Tighten screw **2** applying the specific washer.

- Unscrew drain screw **3**.
- Proceed to filling.
- Reapply the loading cap and the bleeding screw.

The amounts of liquid are shown on page 10.

Use the liquid indicated on page 16 in the "Recommended lubricants and liquids" table.



WARNING:

Never unscrew the filler cap of the radiator when the engine is hot. Danger of burning!

WARNING:

Dispose of used liquid in compliance with the regulations in force.



WARNING:

Wear appropriate protective clothing and protection gloves.



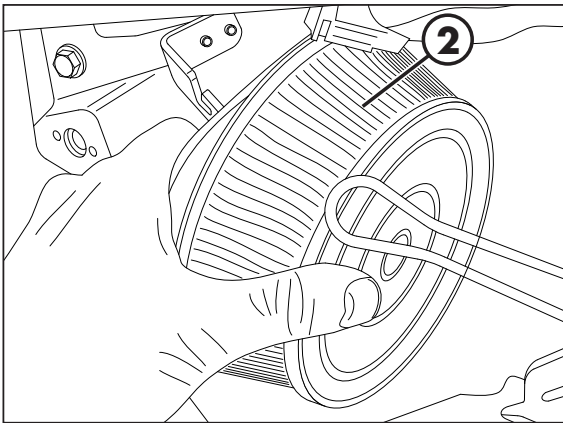
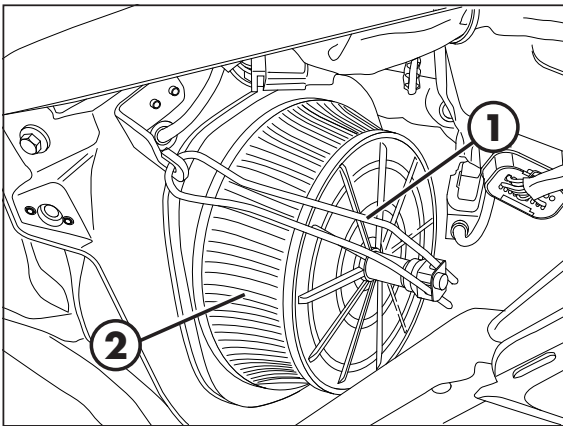
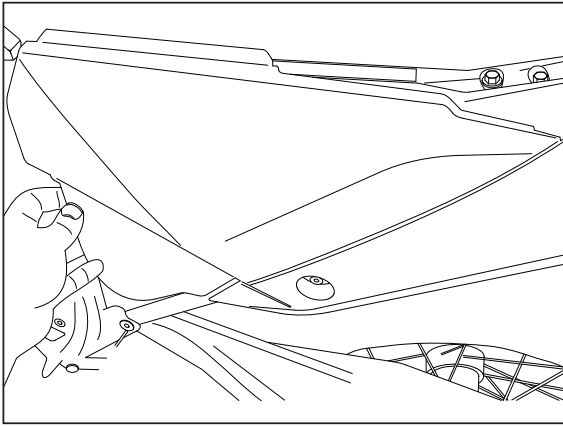
Keep coolant out of reach of children.



Avoid any direct contact of the coolant with skin, eyes or clothing. If this happens:

- with the eyes, rinse immediately with plenty of water and seek medical advice;
- with skin, immediately clean contaminated areas with soap and water. Change clothing that is contaminated with coolant.

If coolant is swallowed, contact a doctor immediately.



AIR FILTER

Check after every ride.


REMOVING AND INSTALLING AIR FILTER


To access the filter is necessary:

- Remove the saddle (page 80).
- Pull the cover air filter (page 81).


- Release filter fastener **1**.

- Pull out air filter **2**.

 **WARNING:**
After every intervention, check that nothing has been left inside the filter box.

 **NOTE:**
If the filter is damaged, replace it immediately.
To replace, contact authorised Beta-motor customer service.

 **WARNING:**
Never use the vehicle if the air filter is not in place. The infiltration of dust and dirt can cause damage and considerable wear.

 **WARNING:**
After every intervention, check that nothing has been left inside the filter box.

Reassemble by performing the operations in reverse order.

AIR FILTER CLEANING - XTRAINER 250/300 2T EUROPA

Blow the filter with compressed air.

AIR FILTER CLEANING - XTRAINER 250/300 2T

- Thoroughly wash the filter with water and soap.
- Dry the filter.
- Wet the filter with filter oil and then remove the excess oil to prevent it from dripping.

SPARK PLUG

Keeping the spark plug in good condition will reduce fuel consumption and increase engine performance.

To perform the check, just extract the spark plug cap and unscrew the spark plug by means of the provided wrench.

Carefully clean the electrodes using a wire brush. Blow the spark plug with compressed air to prevent any residues from getting into the engine.

Examine the distance between the electrodes with a feeler. This distance should be from 0,7 - 0,8 mm. If it is not, it may be corrected by bending the earth electrode.

The spark plug may appear:

black ■ "fat" carburation

light brown ■ appropriate carburation

white □ "thin" carburation

Check as well that there are no cracks in the insulation or corroded electrodes. If so, replace immediately.

Lubricate the spark plug thread, and then (when the engine is cold) screw in the spark plug by hand to its abutting end. Finally tighten the spark plug with the spanner.

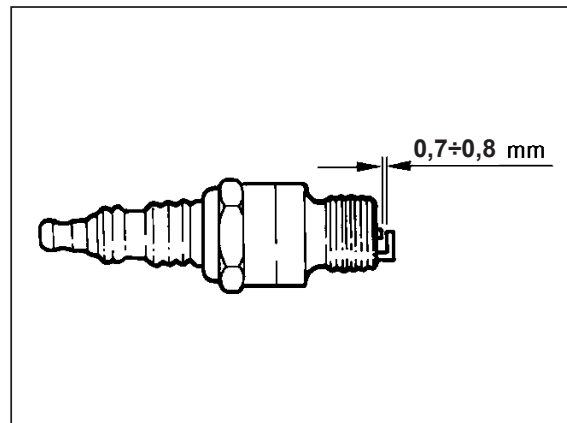
NOTE:

It is recommended to always use the spark plugs listed on page 12.



WARNING:

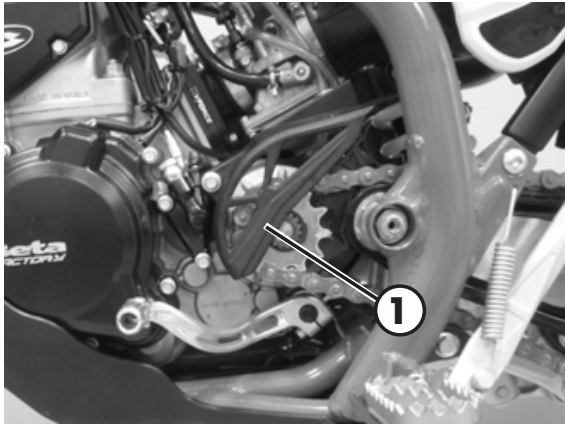
Do not check while the engine is hot.



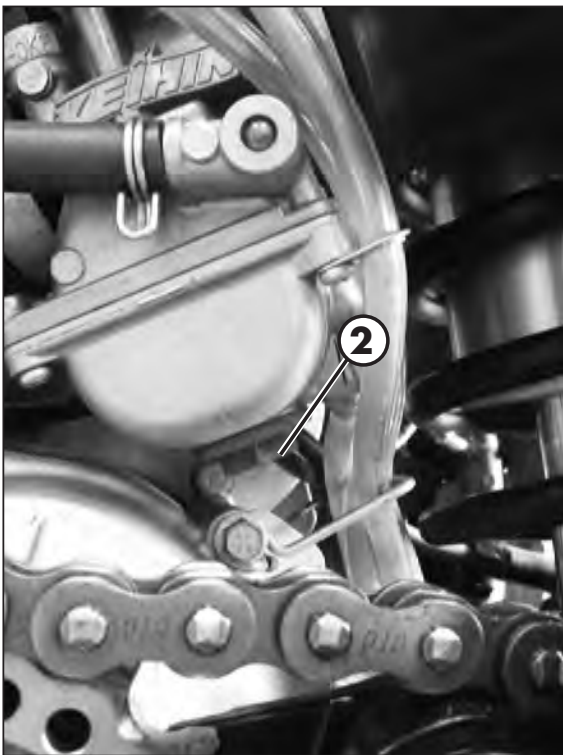
CARBURETTOR

DRAINING THE CARBURETTOR FLOAT CHAMBER

If the carburettor tank needs to be emptied, proceed as described.



Remove the chain protection **1**, close the tank tap and put a cloth under the carburettor, so that you can collect the running out fuel.



Open the drain screw **2** to drain the fuel. Close the drain screw. Apply the chain protection and tighten the screws at 10Nm.



WARNING:
Follow action on a cold engine.



WARNING:
Fire hazard. Fuel is highly flammable.



Prohibition symbol: Always stop the engine when refuelling and keep open flames and lighted cigarettes away.

Refuel in an open well ventilated area.



Prohibition symbol: Immediately clean up any spilled fuel.

**WARNING:**

Risk of poisoning!

Fuel is poisonous liquid and a health hazard.



Wear appropriate protective clothing and protection gloves.

Fuel must not come into contact with the skin, eyes, and clothing. Do not breathe in the fuel vapours. If contact occurs with the eyes, rinse immediately with plenty of water and seek medical advice. If contact occurs with skin, immediately clean contaminated areas with soap and water. If fuel is swallowed, contact a doctor immediately. Change clothing that is contaminated with fuel.

WARNING:

Environmental pollution hazard!

The fuel must not contaminate the ground water, the ground, or the sewage system.

CHECKING THE FLOAT LEVEL

Remove the carburettor from the vehicle after following the procedure for emptying the carburettor bowl (page 73).

Remove the float chamber.

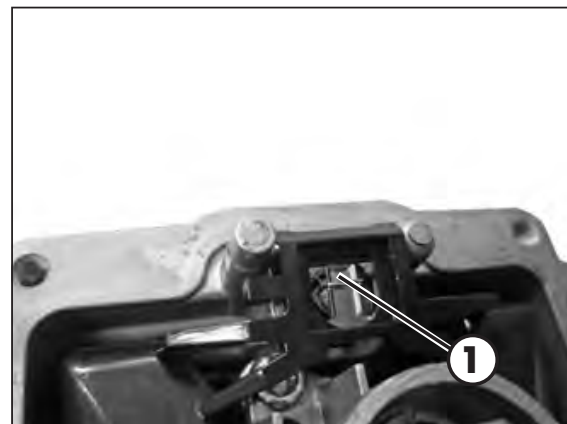
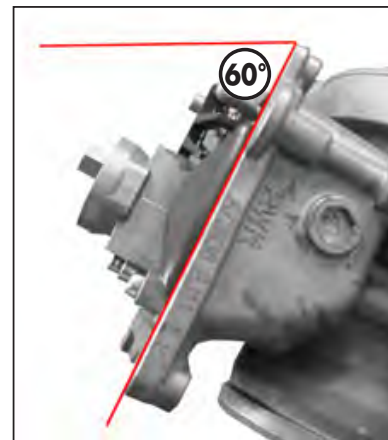
Keep the carburettor on a 60° approx. inclined, so that float leans on the needle valve without pressing it.

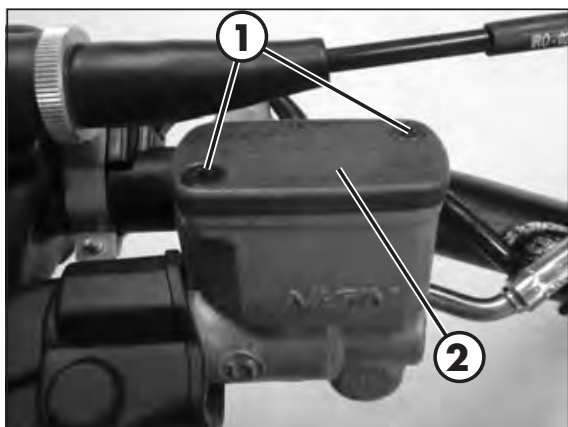
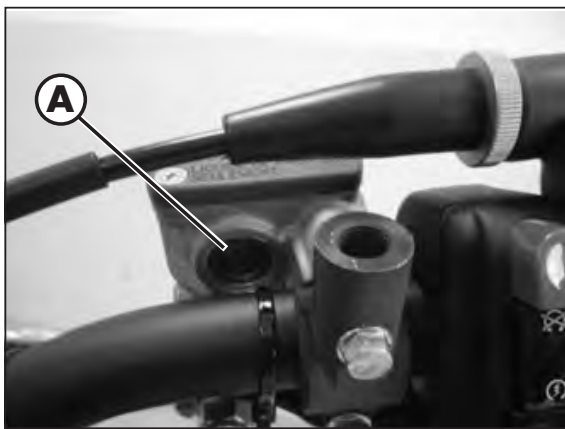
In this position the float edge should be parallel with the float chamber sealing surface (see figure).

If the float height does not correspond to the nominal value, check the float needle valve and if necessary replace it.

If the needle valve is in working order, adjust the float height by bending float lever **1**.

Assemble the carburettor tank, assemble the carburettor and check idling.





FRONT BRAKE

CHECK THE LEVEL OF THE FRONT BRAKE FLUID

Check the level of the brake fluid through sight **A**. The level of the fluid should never fall below the mark in the sight.

RESTORING THE LEVEL OF THE FRONT BRAKE FLUID

To restore the level of the brake fluid, loosen the two screws **1**, lift cap **2** and add brake fluid until its level is 5 mm below the upper rim of the reservoir.

Use the liquid indicated on page 16 in the "Recommended lubricants and liquids" table.



WARNING:

The clutch fluid is extremely corrosive. Take care not to spill it on the paintwork.



Wear appropriate protective clothing and protection gloves.



Keep coolant out of reach of children.



WARNING: Avoid any direct contact of the liquid with skin, eyes or clothing. If this happens:

- with the eyes, rinse immediately with plenty of water and seek medical advice.
- with skin, immediately clean contaminated areas with soap and water. Change clothing that is contaminated with liquid.

If liquid is swallowed, contact a doctor immediately.

BLEEDING THE FRONT BRAKE

To bleed air from the front brake circuit, proceed as follows:

- Remove the rubber cap **1** from the valve **2**.
- Open the sump cap.
- Place one end of a small transparent tube into the valve **2**, and the other end inside a container.
- Pump with the brake lever 2/3 times and keep the lever pressed.
- Unscrew the valve and let the oil drain.
- If air is still visible in the tube repeat above operation until obtaining a continuous outflow of oil within no air bubbles.
- Close the valve and release the lever.

NOTE:

During this procedure, continuously top up the brake pump to replace the oil that is out flowing.

- Remove the tube.
- Replace the rubber cap.
- Close the oil reservoir cap.

Use the liquid indicated on page 16 in the "Recommended lubricants and liquids" table.



WARNING:

The brake fluid is extremely corrosive. Take care not to spill it on the paintwork.



Wear appropriate protective clothing and protection gloves.



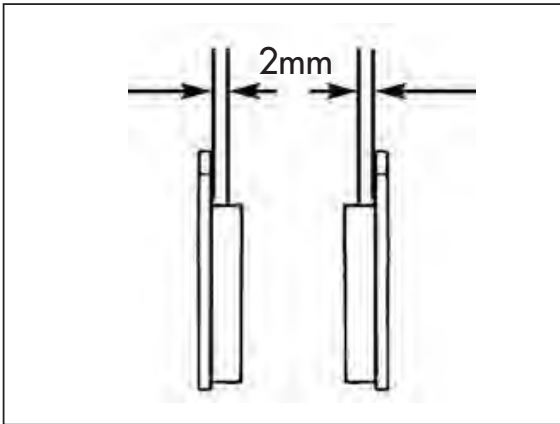
Keep coolant out of reach of children.



WARNING: Avoid any direct contact of the liquid with skin, eyes or clothing. If this happens:

- with the eyes, rinse immediately with plenty of water and seek medical advice.
- with skin, immediately clean contaminated areas with soap and water. Change clothing that is contaminated with liquid.

If liquid is swallowed, contact a doctor immediately.



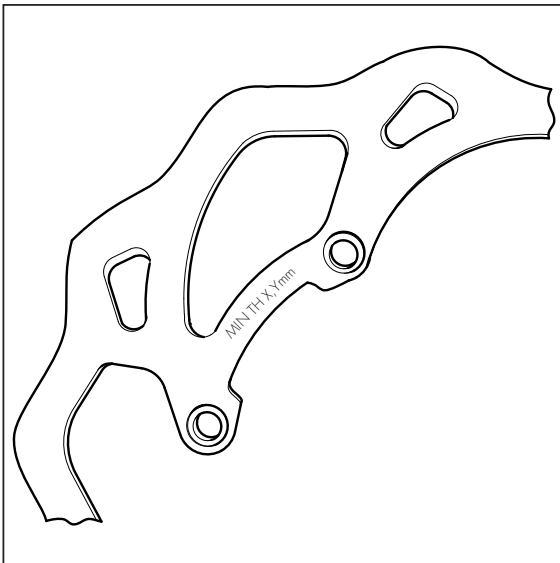
FRONT BRAKE LINING CONTROL

In order to verify the wear condition of front brake is enough to view the caliper from the bottom, where is possible to glimpse the brake lining tails which will have to show a brake of 2 mm in thickness. If the stratum is lesser let's start replacing them.

Note:

Perform the check according to the times shown in the table on page 75.

To replace, contact authorised Betamotor customer service.



BRAKE DISC THICKNESS CONTROL

Periodically verify disc condition. In case signs of damage , veins, or deformations are present, proceed with replacement. Verify disc thickness. The minimum thickness is engraved on the disc.

Once the limit is in proximity or has been reached, proceed with brake disc replacement.

For replacement, contact an authorised Betamotor after-sales service centre.

REAR BRAKE

CHECK THE LEVEL OF THE REAR BRAKE FLUID

Check the level of the brake fluid through sight **A**. The level of the fluid should never fall below the mark in the sight.

RESTORING THE LEVEL OF THE REAR BRAKE FLUID

To restore the oil level, top up by means of oil filler cap **1**.

Use the liquid indicated on page 16 in the "Recommended lubricants and liquids" table.



WARNING:

The brake fluid is extremely corrosive. Take care not to spill it on the paintwork.



Wear appropriate protective clothing and protection gloves.



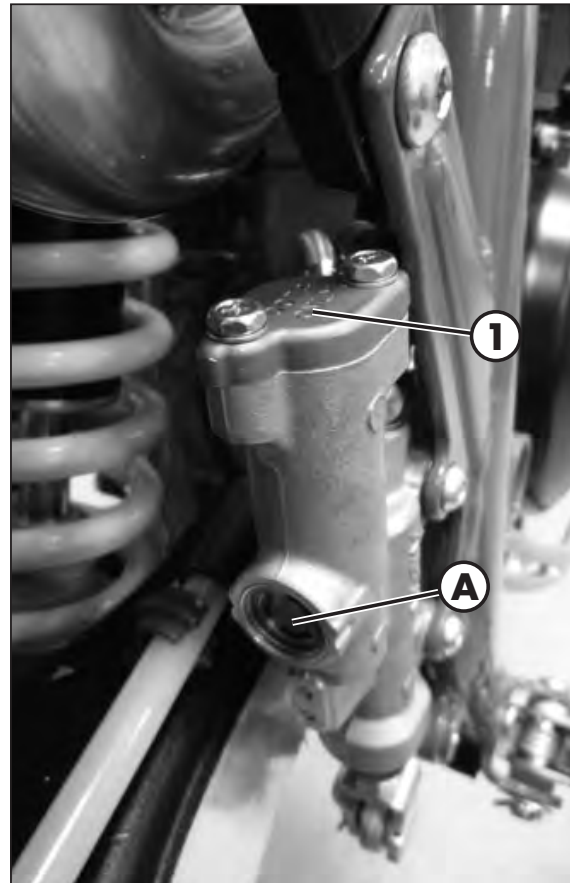
Keep coolant out of reach of children.

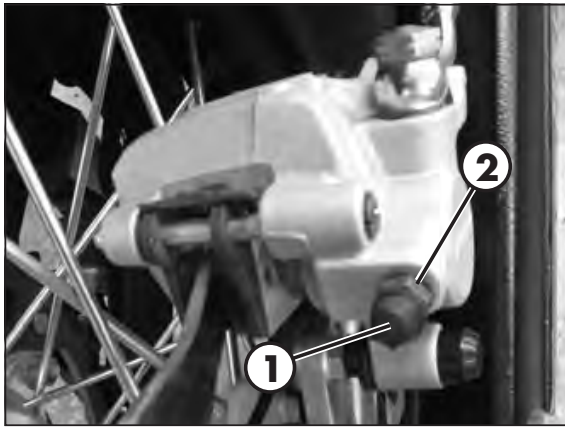


WARNING: Avoid any direct contact of the liquid with skin, eyes or clothing. If this happens:

- with the eyes, rinse immediately with plenty of water and seek medical advice.
- with skin, immediately clean contaminated areas with soap and water. Change clothing that is contaminated with liquid.

If liquid is swallowed, contact a doctor immediately.





BLEEDING THE REAR BRAKE

To bleed air from the rear brake circuit, proceed as follows:

- Remove the rubber cap **1** from the valve **2**.
- Open the sump cap.
- Place one end of a small transparent tube into the valve **2**, and the other end inside a container.
- Pump with the brake lever 2/3 times and keep the pedal pressed.
- Unscrew the valve and let the oil drain.
- If air is still visible in the tube repeat above operation until obtaining a continuous outflow of oil without any air bubbles.
- Close the valve and release the lever.

NOTE:

During this procedure, continuously top up the brake pump tank to replace the oil that is out flowing.

- Remove the tube.
- Replace the rubber cap.
- Close the oil reservoir cap.

Use the liquid indicated on page 16 in the "Recommended lubricants and liquids" table.



WARNING:

The brake fluid is extremely corrosive. Take care not to spill it on the paintwork.



Wear appropriate protective clothing and protection gloves.



Keep coolant out of reach of children.



WARNING: Avoid any direct contact of the liquid with skin, eyes or clothing. If this happens:

- with the eyes, rinse immediately with plenty of water and seek medical advice.
- with skin, immediately clean contaminated areas with soap and water. Change clothing that is contaminated with liquid.

If liquid is swallowed, contact a doctor immediately.

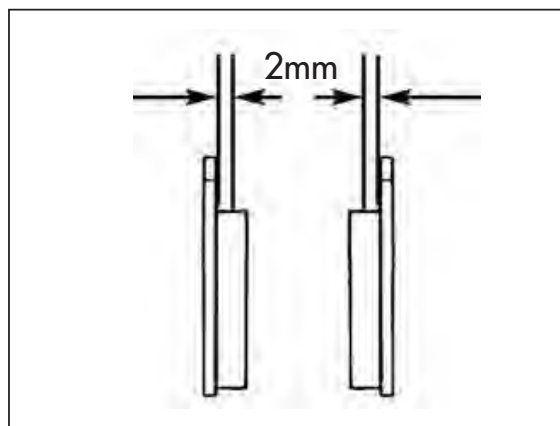
REAR BRAKE LINING CONTROL

In order to verify the wear condition of rear brake is enough to view the caliper from above, where is possible to glimpse the brake lining tails which will have to show a brake of 2 mm in thickness. If the stratum is lesser let's start replacing them.

Note:

Perform the check according to the times shown in the table on page 75.

To replace, contact authorised Betamotor customer service.

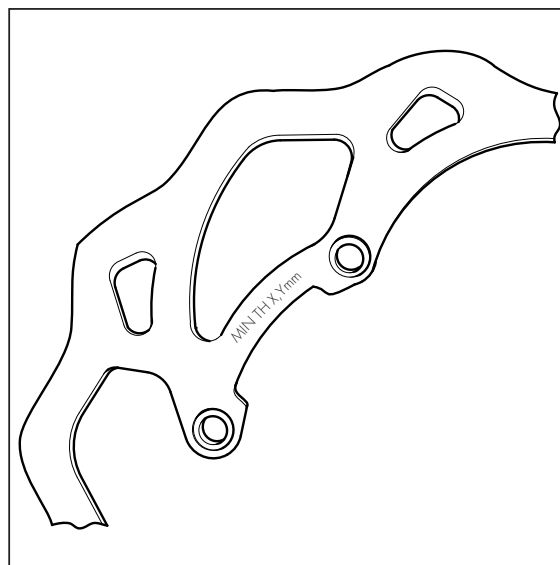


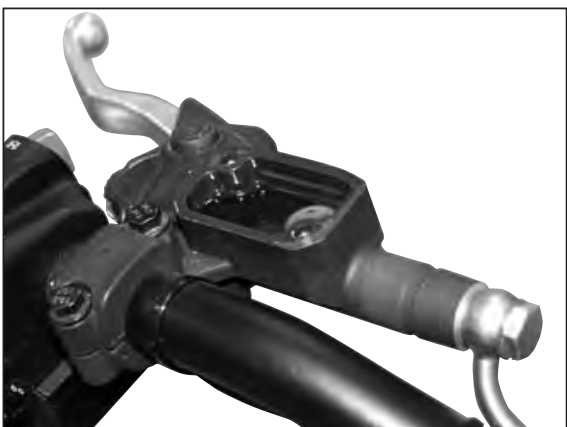
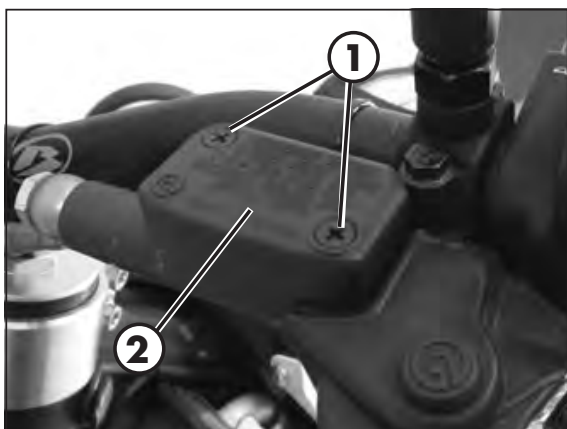
BRAKE DISC THICKNESS CONTROL

Periodically verify disc condition. In case signs of damage, veins, or deformations are present, proceed with replacement. Verify disc thickness. The minimum thickness is engraved on the disc.

Once the limit is in proximity or has been reached, proceed with brake disc replacement.

For replacement, contact an authorised Betamotor after-sales service centre.





CLUTCH CONTROL

CHECK THE LEVEL

To check the oil level in the clutch pump, first remove cover **2**.

Remove the two screws **1** and take off cover **1** together with the rubber bellows. With the clutch pump in a horizontal position, the level of the oil should be 5 mm below the upper rim.

In the case where the level is lower than specified top up.

Use the liquid indicated on page 16 in the "Recommended lubricants and liquids" table.



WARNING:

The clutch fluid is extremely corrosive. Take care not to spill it on the paintwork.



Wear appropriate protective clothing and protection gloves.



Keep coolant out of reach of children



WARNING: Avoid any direct contact of the liquid with skin, eyes or clothing. If this happens:

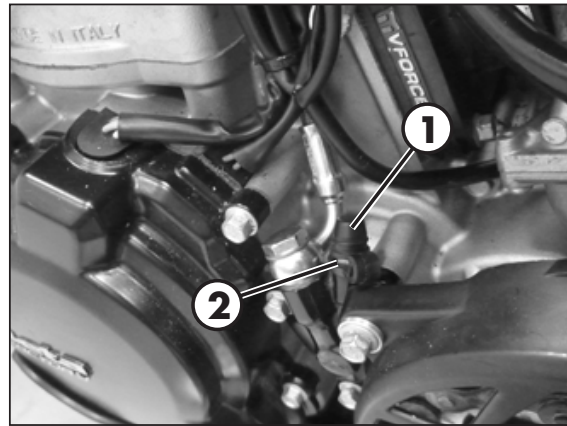
- with the eyes, rinse immediately with plenty of water and seek medical advice.
- with skin, immediately clean contaminated areas with soap and water. Change clothing that is contaminated with liquid.

If liquid is swallowed, contact a doctor immediately.

BLEEDING

To bleed air from the clutch pump, proceed as follows:

- Remove the rubber cap **1** from the valve **2**.
- Open the sump cap.
- Place one end of a small transparent tube into the valve **2**, and the other end inside a container.
- Pump with the clutch lever 2/3 times and keep the lever pressed.
- Unscrew the valve and let the oil drain.
- If are still visible in the tube repeat above operation until obtaining a continuous outflow of oil within no air bubbles.
- Close the valve and release the lever.



NOTE:

During this procedure, continuously top up the pump tank to replace the liquid that is out flowing.

- Remove the tube.
- Replace the rubber cap.

Use the liquid indicated on page 16 in the "Recommended lubricants and liquids" table.



WARNING:

The clutch fluid is extremely corrosive. Take care not to spill it on the paintwork.



Wear appropriate protective clothing and protection gloves.



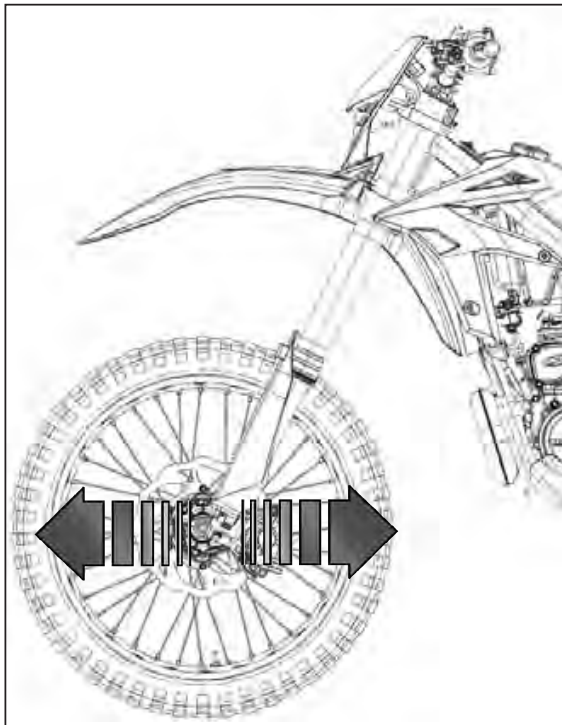
Keep coolant out of reach of children.



WARNING: Avoid any direct contact of the liquid with skin, eyes or clothing. If this happens:

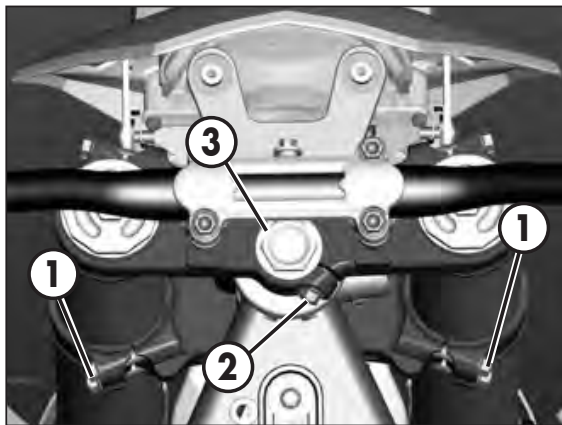
- with the eyes, rinse immediately with plenty of water and seek medical advice.
- with skin, immediately clean contaminated areas with soap and water. Change clothing that is contaminated with liquid.

If liquid is swallowed, contact a doctor immediately.

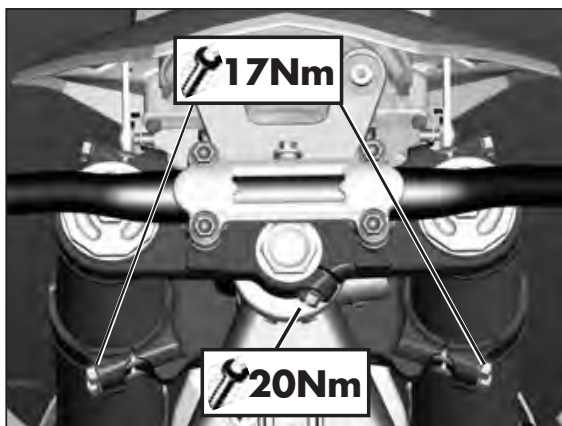


CHECK AND ADJUSTING OF STEERING PLAY

Periodically check the play in the steering sleeve by moving the fork back and forth as shown in the figure. Whenever you feel play, adjust as described below:



- Loosen the screws **1**
 - Loosen the screw **2**
 - Reduce the play by turning nut **3**
- Tighten the screws to the prescribed torque values.

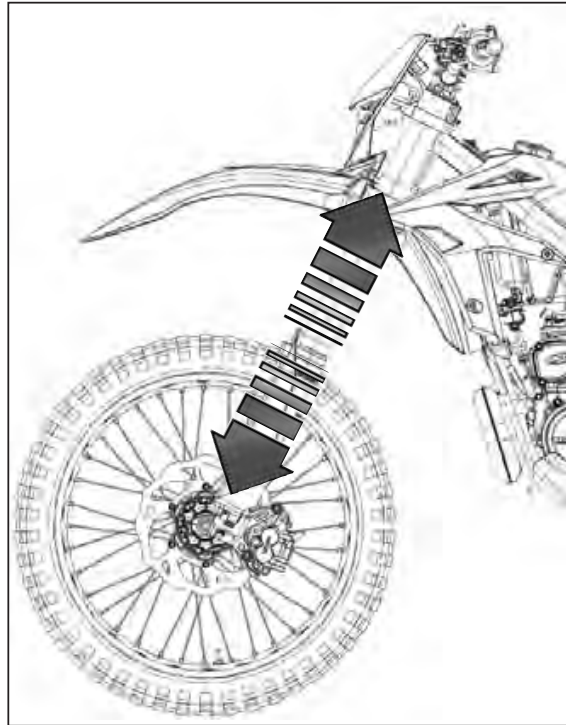


FRONT WHEEL

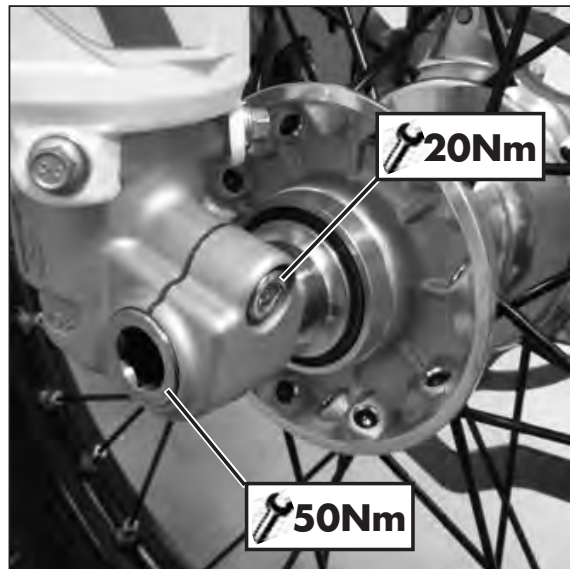
TIGHTENING

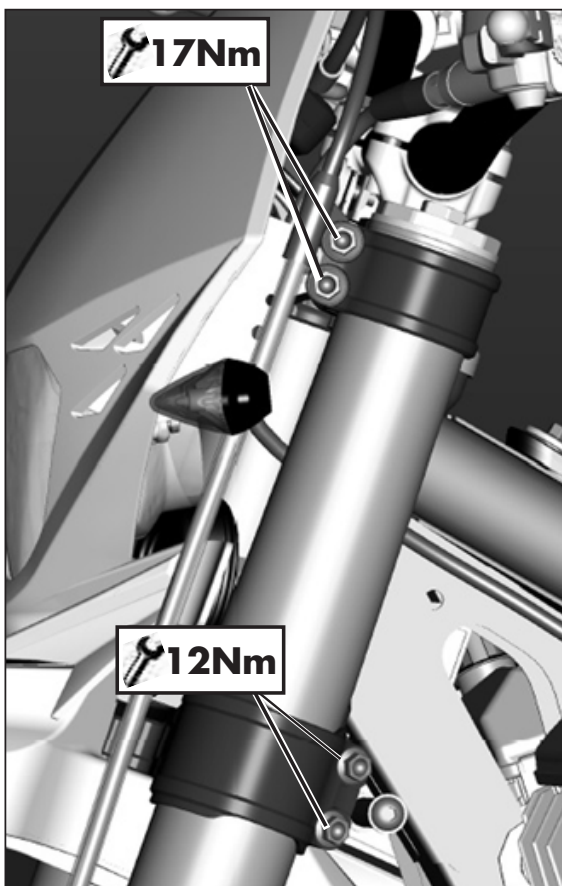
Following removal of the wheel:

- Compress and release the fork 3-4 times.



- Tighten the wheel bolt and the screws of the foot-leg.





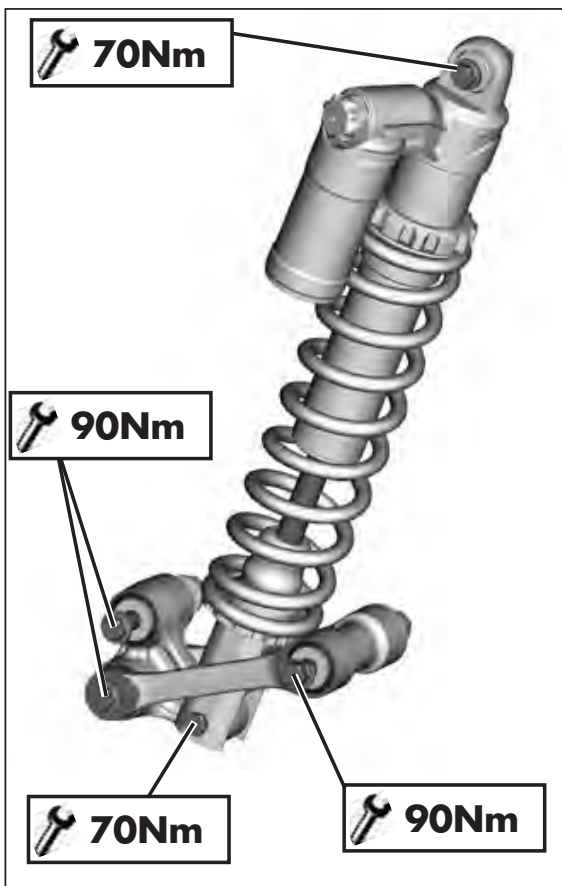
FORK

To maintenance refer at an authorized service center Betamotor.

To check the tightening torques see as shown in the figure.

WARNING:

Tightening of the screws should be carried out by adjusting the torque wrench to the stability torque with repeated tightening until stability torque has been achieved.



REAR SUSPENSION LEVERAGE

In order to guarantee optimal operation and duration over time of the progressive leverage of the rear suspension, it is recommended to periodically check correct tightness of nuts and bolts.

Verify that suspension nuts and bolts are at the indicated torque.

TYRES

Only fit tyres approved by BETAMOTOR.

Unsuitable tyres can adversely affect the road holding of the vehicle.

- To protect your safety, immediately replace any damaged tyres.
- Slick tyres adversely affect the road holding of the vehicle, especially on wet roads and in off-road riding.
- Insufficient pressure results in abnormal wear and overheating of the tyres.
- The front and rear tyres must have the same tread design.
- Always measure the inflating pressures when the tyres are cold.
- Keep the tyre pressures within the prescribed range.

CHAIN

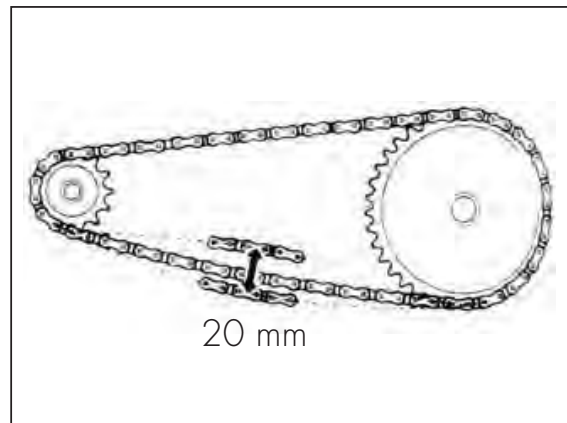
Checking the drive chain periodically to ensure longer chain life. Always keep it lubricated and clean of deposited dirt.

Take special care in preventing the lubricant from coming into contact with the rear tyre or brake disc, otherwise the tyre grip and the action of the brake would be greatly reduced, making it very difficult to control the vehicle.

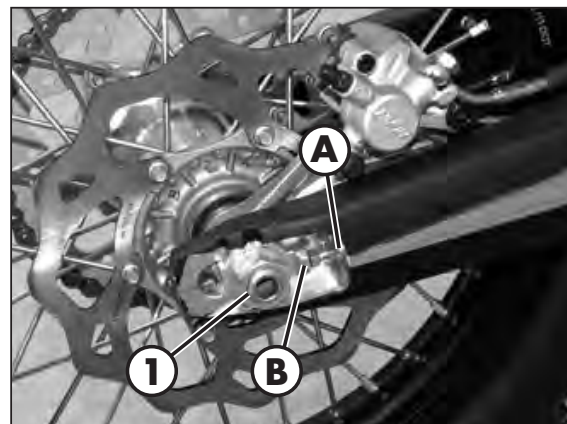
CHECK AND ADJUST TIGHTENING CHAIN

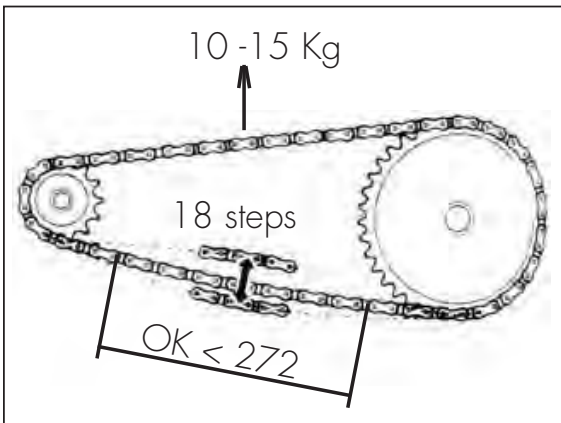
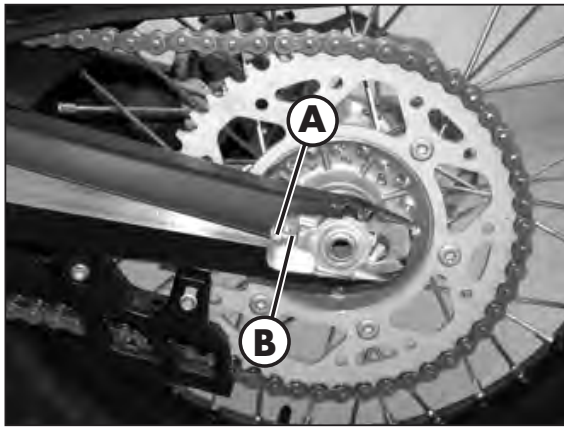
Position the drive on a flat base ensuring stability.

If the chain play exceeds 20 mm tension the chain.



- Loosen the pin **1**.





- Loosen conternuts **A** on either side of the fork.
- Turn adjusting screws **B** on either side until the desired chain tension is obtained.
- Tighten conternuts **A** on either side of the fork.
- Tighten the pin **1** to the torque indicated.

CHECK FOR CHAIN WEAR

Shift into neutral, pull up the upper stretch of the chain with a force of 10-15 kg (see figure). Measure the length of 18 links on the lower stretch of the chain. If the length is ≥ 272 mm, replace the chain. Chains do not always wear evenly. For this reason it is important that the measurement is taken at different points along the chain.

When fitting a new chain, be sure to replace the chainring and sprocket as well. New chains wear more quickly if fitted on old and worn sprockets. After replacing the chain, adjust its tension as described on page 67.

HEADLIGHT

Keep the headlight glass clean at all times (see page 73).

Periodically check the correct angle of the light beam.

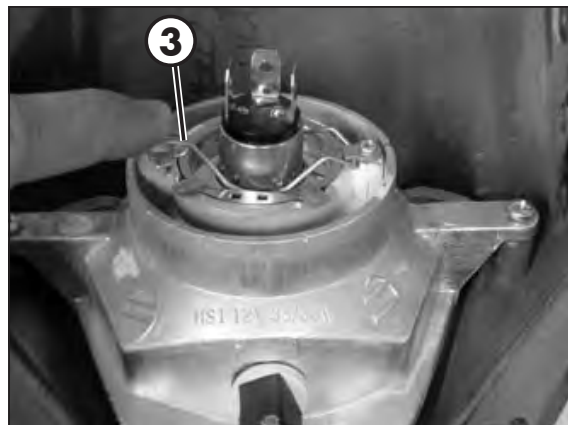
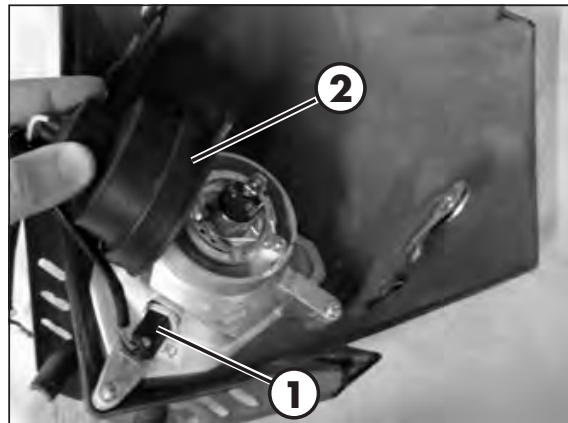
REPLACING THE HEADLIGHT BULBS

Remove the fixing screws and move forward the lamp holder front cowl.

Carefully remove the headlight bulb **1** together with lamp holder. To replace the high beam/low beam, lift the rubber cover **2**, release connector, push on the spring **3** and remove the lamp holder and replace the light bulb with a new one. Be careful not to touch the bulb so as not to compromise its efficiency.

To refit, follow the procedure above but in reverse order.

Fasten the lamp holder front cowl to the supporting pins and fix it with the two elastics.



TAIL LIGHT

Keep the tail light glass clean at all times (see page 73).

The LED tail light is sealed. In the case of burnout of one or more LEDs it is necessary to replace the entire group.

To replace, contact authorised Betamotor customer service.



BATTERY

Battery is located under the saddle and requires no maintenance.

Keep the battery terminals clean. If necessary, protect them with a thin film of acid-free grease.

BATTERY REMOVAL AND ASSEMBLY

Remove the saddle (page 80).

Release the rubber band.

FIRST disconnect the negative connector (black) from negative (-) pole and THEN positive connector (black) from negative (+) pole.

Remove the battery.

When fitting the battery, insert it with the terminals as shown in picture.

FIRST connect the positive connector (red) from positive (+) pole and then negative connector (black) from negative (-) pole.

Reattach the rubber band.

WARNING:

Exercise extreme caution if, for any reason, the electrolyte (sulphuric acid) should come out of the battery. The electrolyte can cause serious burns. In case of contact with the skin, rinse abundantly with water.

Should the electrolyte come into contact with the eyes, rinse with water for at least 15 minutes and immediately seek medical attention.

Even though the battery is sealed, there is a possibility that explosive gases may leak out.

Keep sparks and open flames away from the battery.

Keep spent batteries out of the reach of children and dispose of them as prescribed by law.

Do not remove the protections.

When installing the battery, be sure to observe the polarity of the terminals.

INACTIVITY

If the vehicle is not going to be used for a long time, remove the battery and charge it every 15 days using a suitable charger.

Store the battery in a dry place at a temperature of 5 to 35°C and out of the reach of children.

CHARGING THE BATTERY

Using an open-circuit multimeter (10-12 hours after the activation), check that the voltage is greater than 12.6 V. If it is lower, it is advisable to recharge the battery.

Based on the type of charger available, charge the battery using either of the following procedures:

- Constant voltage (14.4÷15 V) - Charge the battery for about 12 hours. Check the voltage 10÷12 hours after the end of recharge as described above.
- Constant current: Charge battery at 0.5/0.8 A until the voltage between the terminals stabilizes at ~14.5 V.

WARNING:

The battery is sealed. When recharging it, do not remove the seal nor add any liquid.





FUSES

To access the fuse, remove the saddle (page 80).

In the case of blown fuse, the vehicle will not start/stop:



Three spare fuses comes with the kit accompanying the vehicle.

A blown fuse should only be replaced with another of the same type.

Should the new fuse also burn out when fitted, immediately contact a specialized BETAMOTOR dealer.

CLEANING THE VEHICLE

GENERAL PRECAUTIONS

-  **WARNING:** Do not clean your vehicle with a high-pressure device with a strong jet of water. Excessive pressure can reach electrical components, connectors, flexible cables, bearings, etc and can damage or destroy them.
-  **WARNING:** Wash motorbikes frequently with cold water that are used near the sea (salty air) and on roads subject to salt spreading in winter. Cover with a film of oil or silicone spray unpainted parts and the most exposed parts such as wheels, forks and swingarm. Do not treat rubber parts and brakes.

When cleaning, avoid direct exposure to sunlight.

Close off the exhaust system to prevent water from entering.

-  Avoid directing the jet of water onto the air filter box cover and the throttle body.

WASHING MODE



Use water jet to soften the dirt and mud accumulated on the paintwork, then remove them with a soft bodywork sponge soaked in water and shampoo. Subsequently rinse well with water, and dry with air and cloth or suede leather.

Detergents pollute water. Always wash the vehicle in areas equipped for collection and purification of the washing liquids.

AFTER WASHING

Proceed to the emptying of the filter box using the appropriate ventilation and drying.

After cleaning, ride a short distance until the engine reaches operating temperature.

-   **WARNING:** braking effect is reduced with wet brakes. Operate the brakes cautiously to allow them to dry.

Push back the handlebar control covers, so that water can evaporate.

When the bike is completely dry and cooled down, lubricate all moving parts.

Treat all plastic and painted components with non-aggressive detergents or products that are specific for the care of the motorcycle.

4 PROLONGED INACTIVITY

A few simple operations should be performed to keep the vehicle in good condition whenever it is to remain inactive for a long period (e.g. during the winter):

- Thoroughly clean the vehicle.
- Reduce the tyre pressures by approximately 30 percent, and if possible raise the tyres off the ground.
- Cover the unpainted parts, excepting the brakes and the rubber parts, with a film of oil or spray silicone.
- Remove the battery and keep it in a dry place. Charge the battery every 15 days.
- Protect the vehicle with a dust cover.

AFTER PROLONGED INACTIVITY

- Reinstall the battery.
- Restore the tyre inflating pressures.
- Check the tightening of all the screws having an important mechanical function.

SCHEDULED MAINTENANCE VEHICLE

4

CHECKS AND MAINTENANCE

	End of running-in - 3 hours	Coupon 1 - 30 hours	Coupon 2 - 60 hours	Coupon 3 - 90 hours	Coupon 4 - 120 hours	Coupon 5 - 150 hours	Coupon 6 - 180 hours
Engine	Gear and clutch oil	S	S	S	S	S	S
	Spark plug	C		S		S	
	Head screws	T					
	Engine clamping screws *	C	C	C	C	C	C
	Kick start and gearchange lever screws	C	C	C	C	C	C
	Spark plug cap	P	P	P	P	P	P
	Coated clutch disks		C	C	S	C	C
	Clutch springs length		C	C	S	C	C
	Clutch/bell hub		C	C	C	C	C
	Gearbox bearing (drive shaft side)				S		
	Cylinder			C		C	
	Piston and segments			S		S	
	Connecting rod				S		
	Drive shaft bearings				S		
	Surface appearance of the gearbox				C		
	Water pump oil seal				S		
	Exhaust valve			C/P			C/P
	Reed valve			C		C	
Carburetor	Tightness	C	C	C	C	C	C
	Idling setting	C	C	C	C	C	C
	Fuel pipe	C	C	C	C	C	C
	Breather pipe	C	C	C	C	C	C
Assembling groups	Coolant system tightness and coolant level	C	C	C	C	C	C
	Exhaust manifold tightness	C	C	C	C	C	C
	Drives sliding and regulation	C	C	C	C	C	C
	Liquid level clutch pump	C	C	C	C	C	C
	Airbox and air filter	P	P	P	P	P	P
	Chain, plate wheel and pinion	C	C	C	C	C	C

Key

C Check (Clean, adjust, lubricate, replace as necessary)

S Replace/renew

R Adjust

P Clean

T Tighten

		End of running-in - 3 hours	Coupon 1 - 30 hours	Coupon 2 - 60 hours	Coupon 3 - 90 hours	Coupon 4 - 120 hours	Coupon 5 - 150 hours	Coupon 6 - 180 hours
Brakes	Liquid level, pads thickness	C	C	C	C	C	C	C
	Disc thickness	C	C	C	C	C	C	C
	Pipe tightness	C	C	C	C	C	C	C
	Idle travel levers and drives sliding	C	C	C	C	C	C	C
Cycling	Shock absorber and telescopic fork	C	C	C	C	C	C	C
	Rear suspension linkage	C	C	C	C	C	C	C
	Fork cover	P	P	P	P	P	P	P
	Bearings of steering	C	C	C	C	C	C	C
	Bolts	T	T	T	T	T	T	T
Wheels	Wheel spokes and rim coaxiality	C	C	C	C	C	C	C
	Tyres (wear and pressure)	C	C	C	C	C	C	C
	Bearings clearance	C	C	C	C	C	C	C

Key

C Check (Clean, adjust, lubricate, replace as necessary)

S Replace/renew

R Adjust

P Clean

T Tighten

(*) Attachment	Screw	Thread locker	Torque [Nm]
Engine to chassis	Special screw M10		45
Brackets to attach the head to the chassis	M8x16	M*	35
Brackets to attach the head to the engine	M8x60		35

* Medium resistance thread locker

WARNING:

For any service requirements, please contact Betamotor's Authorized Service Network.

TIGHTENING TORQUE OVERVIEW

Here below is an overview of the tightening torque of all pieces subject to adjustment or maintenance:

Forecarriage		
	Tightening torque [Nm]	Threadlock
Wheel pin	50	
Fork foets - wheel pin	20	
Cavallotto parastelo sinistro	1,5	
Steering head base - fork legs	12*	
Steering head - fork legs	17*	
Stem pin on steering head	20	
Lower handlebar u-bolt - steering head	40	M
Upper handlebar u-bolt - lower handlebar u-bolt	25	

Rear axle		
	Tightening torque [Nm]	Threadlock
Wheel pin	130	
Rear shock absorber - frame	70	
Rear shock absorber - rocker arm	70	
Connecting rod - frame	90	
Connecting rod - rocker arm	90	
Rocker arm - swinging arm	90	

Engine		
	Tightening torque [Nm]	Threadlock
Gearbox oil drain plug	15	

Engine - Frame		
	Tightening torque [Nm]	Note
Pins motor - frame	45	
Brackets to attach the head - frame (front fixing)	35	M
Brackets to attach the head - frame (rear fixing)	35	M
Brackets to attach the head - motor	35	

M Medium strength threadlock

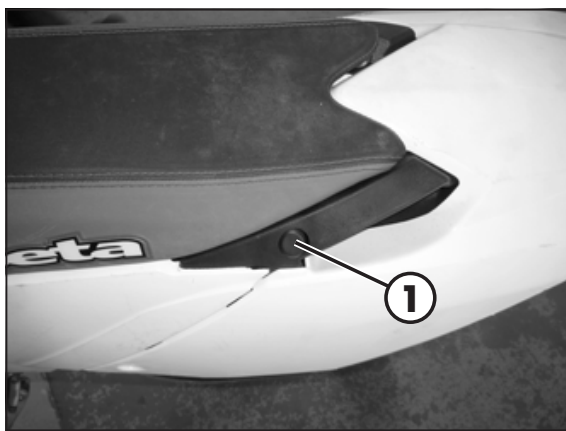
*  WARNING:

Tightening of the screws should be carried out by adjusting the torque wrench to the stability torque with repeated tightening until stability torque has been achieved.

CHAPTER 5 REPLACEMENTS

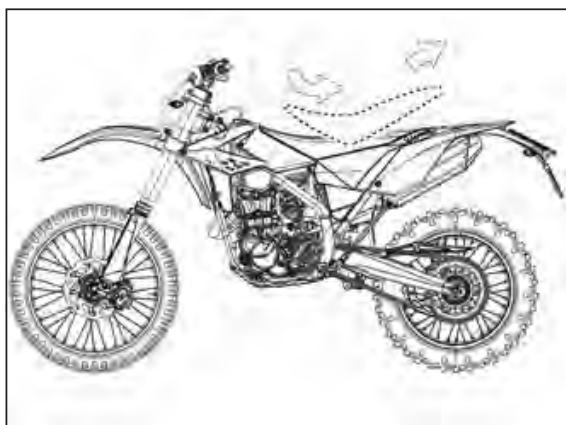
CONTENTS

Removal and refitting of the saddle.....	80
Removing and installing air filter cover panel.....	81

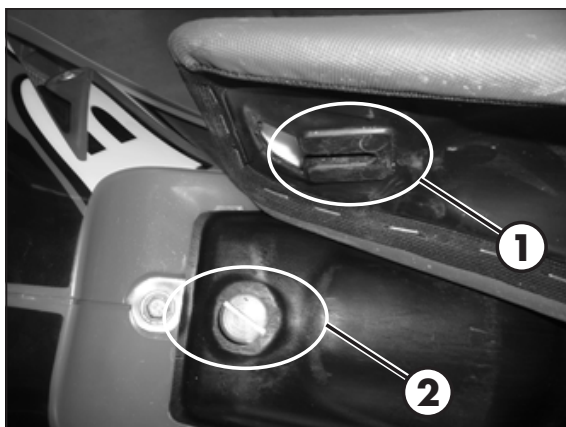


REMOVAL AND REFITTING OF THE SADDLE

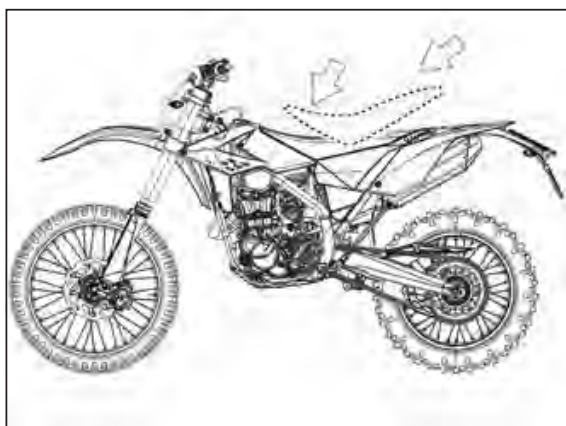
Press button **1**.



Remove the saddle towards the rear of the motorcycle.



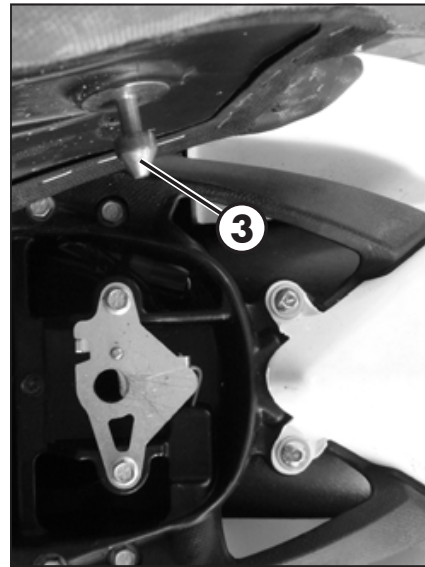
To re-assemble insert the cavity **1** of the saddle in slot **2**.



Press the saddle down in the middle and at the same time, push it forwards until the bayonet joint engages in its seat.

WARNING

Make sure the bayonet joint **3** is firmly inserted into the button lock.



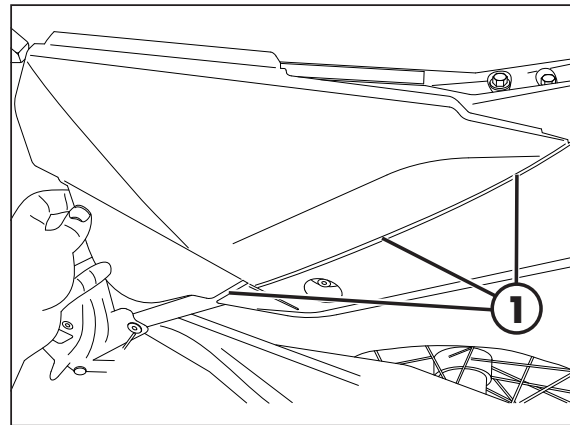
REMOVING AND INSTALLING AIR FILTER COVER PANEL

Remove the saddle (page 80).

Grab the side panel in the front side and pull out.

To refit insert the tabs **1** into their slots.

Slide the side panel toward the vehicle.




CHAPTER 6 TROUBLESHOOTING

CONTENTS

Troubleshooting	84
Alphabetical index	85

6 TROUBLESHOOTING

TROUBLESHOOTING

PROBLEM	CAUSE	REMEDY
Engine does not start	- Fuel system clogged (fuel lines, fuel tank, fuel cock)	Contact authorised BETAMOTOR customer service
	- Air filter dirty	Check the air filter
	- No current supplied to spark plug	Clean or replace the spark plug. If the problem persists, contact authorised BETAMOTOR customer service
	- Engine flooded	Operate the electrical starter push button 2 times for 5 seconds. If the vehicle does not start, remove and dry the spark plug
	- Excessive distance between the electrodes	Check the distance between the electrodes
	- Ignition connector or coil slackened or oxidized	Clean with a spray product for electric contacts and tighten
	- Presence of water in the carburettor	Empty the carburettor tank
The engine starts but the telltale "MIL" lights on 	- Engine management system fault	Empty the fuel tank and refuel with mixture at 1.6%. Contact authorised BETAMOTOR customer service
Engine misfires	- Spark gap wrongly adjusted	Restore the spark gap
	- Spark plug dirty	Clean or replace the spark plug
The engine does not hold idling	- Idling air jet clogged	Contact authorised BETAMOTOR customer service
	- Adjustment screws poorly adjusted	Adjust
	- Faulty spark plug	Replace the spark plug
	- Faulty ignition system	Check the coil and the spark plug cap
Engine overheats and loses power	- Silencer partly clogged	Contact authorised BETAMOTOR customer service
	- Lamina pack damaged	Contact authorised BETAMOTOR customer service
	- Fault in the ignition system	Contact authorised BETAMOTOR customer service
Excessive smoke	- Possible mixer system fault	Contact authorised BETAMOTOR customer service
Front braking poor	- Brake pads worn	Contact authorised BETAMOTOR customer service
	- Air or humidity in the hydraulic circuit	Follow the procedure described on page 57
Rear braking poor	- Brake pads worn	Contact authorised BETAMOTOR customer service
	- Air or humidity in the hydraulic circuit	Follow the procedure described on page 60

ALPHABETICAL INDEX

Adjusting fork	44
Adjusting the idle speed.....	39
Adjustment of gas clearance.....	39
Air filter	52
Battery.....	70
Brakes	38
Carburettor	54
Chain	67
Check and adjusting of steering play.....	64
Checks before and after use	33
Cleaning the vehicle.....	73
Clutch.....	38
Clutch control	62
Digital rpm indicator operating instructions.....	23
Electrical system.....	14
Engine oil.....	48
Engine shut-down	35
Exhaust valve control adjustment	43
Familiarizing with the vehicle.....	9
Fork.....	66
Front brake.....	56
Front wheel	65
Fuses	72
Handlebar adjustment	43
Headlight.....	69
Key to symbols.....	38
Key to symbols.....	48
Liquid coolant.....	49
Main parts	18

Oil mixer refuelling 35

Operating instructions..... 5

Prolonged inactivity 74

Rear brake 59

Rear suspension leverage 66

Recommended lubricants and liquid 16

Refuelling 34

Removal and refitting of the saddle..... 80

Removing and installing air filter cover panel..... 81

Replacing the headlight bulbs 69

Riding safety 6

Running in..... 33

Scheduled maintenance vehicle 75

Shock absorber..... 45

Spark plug 53

Specifications 10

Starting the engine 35

Symbols 5

Tail light 69

Tightening torque overview 77

Tools kit 8

Troubleshooting 84

Tyres..... 67

Vehicle identification data 8

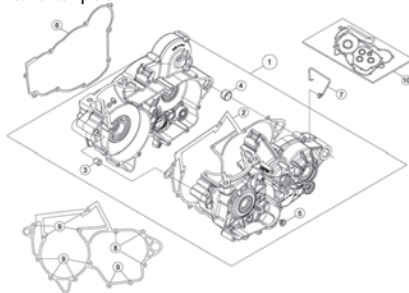
XTRAINER 2019
300cc

CATALOG OF SPARE PARTS



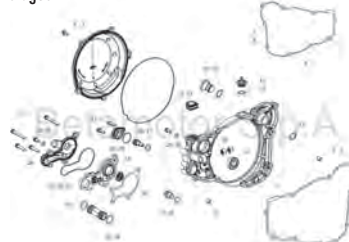
The images and content herein are the exclusive property of Betamotor SpA, which reserves all rights thereto. Any reproduction, modification, editing, dissemination, communication, exploitation in any form and way, original or derived, is strictly forbidden if not expressly approved in writing by Betamotor SpA. Any violation will be actively pursued in all relevant civil and criminal forums by Betamotor SpA.

TAV.01A Carter completo - Crankcase, assy - Carter complet - Kurbelwellengehäuse, KPL. - Carter completo



Pag. 6

TAV.01B Coperchio frizione - Clutch cover - Couverture d'embrague - Kupplungsdeckel - Tapa embrague



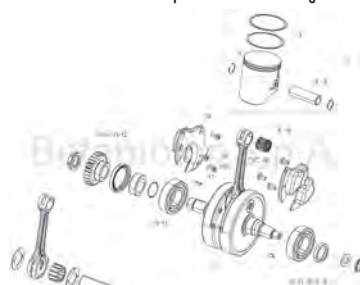
Pag. 8

TAV.01C Collettore aspirazione - Intake manifold - Collecteur aspiration - Ansaugstutzen - Colector aspiración



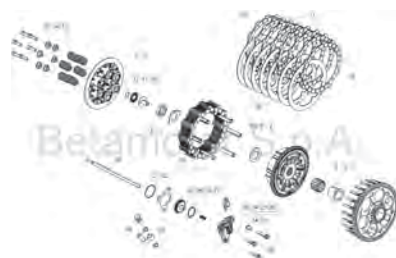
Pag. 10

TAV.02 Albero motore - Crankshaft - Vilebrequin - Kurbelwelle - Cigüeñal



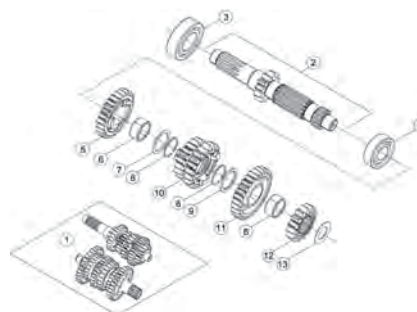
Pag. 11

TAV.03 Frizione - Clutch - Embrayage - Kupplung - Embrague



Pag. 12

TAV.04A Albero primario - Main shaft - Arbre primaire - Hauptwelle - Arbol primario



Pag. 14

TAV.04B Albero secondario - Counter shaft - Arbre secondaire - Nebentriebwelle - Eje secundario



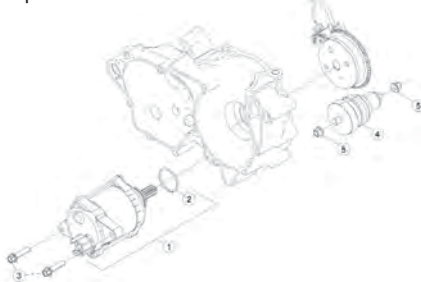
Pag. 15

TAV.05 Comando cambio - Gear shift control - Commande changement de vitesse - Chaltung - Mando cambio



Pag. 16

TAV.07 Avviamento elettrico - Electric starter - Dé marrage électrique - Elektrischer start - Arranque eléctrico



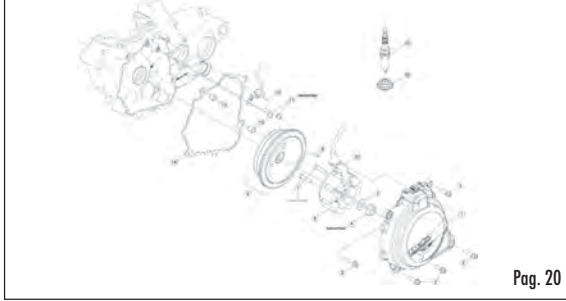
Pag. 17

TAV.09 Sistema di raffreddamento - Cooling system - Dispositifs de refroidissement - Kühlsystem - Sistema de enfriamiento



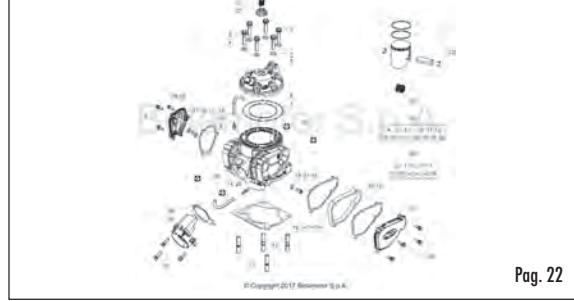
Pag. 18

TAV.10 Gruppo accensione elettronica - Electronic ignition assy. - Groupe allumage électronique - Elektronischezündung gruppe - Grupo encendido electrónico



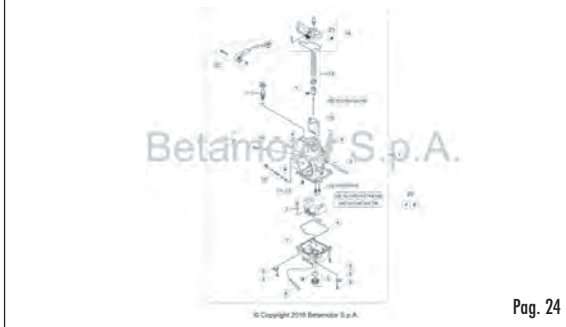
Pag. 20

TAV.11 Cilindro completo - Cylinder, assy - Cylindre complet - Zylinder, KPL. - Cilindro completo



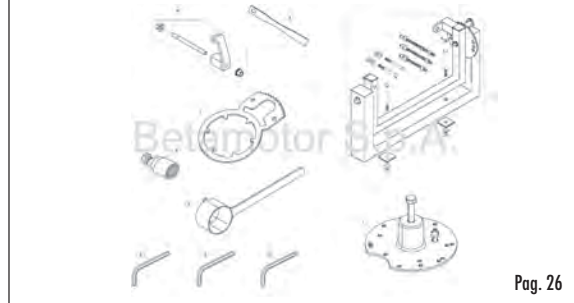
Pag. 22

TAV.12 Carburatore - Carburettor - Carburateur - Vergaser - Carburador



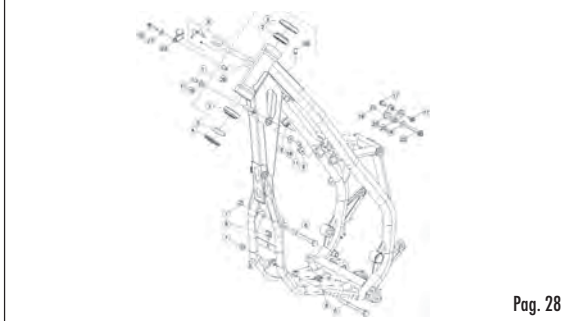
Pag. 24

TAV.14 Attrezzatura specifica - Special tools - Outillage spécial - Spezialwerkzeug - Utillaje específico



Pag. 26

TAV.31 Telaio - Frame - Chassis - Rahmen - Chasis



Pag. 28

TAV.32 Accessori telaio - Frame accessories - Accessoires chassis - Rahmenzubehören - Accesorios Chasis



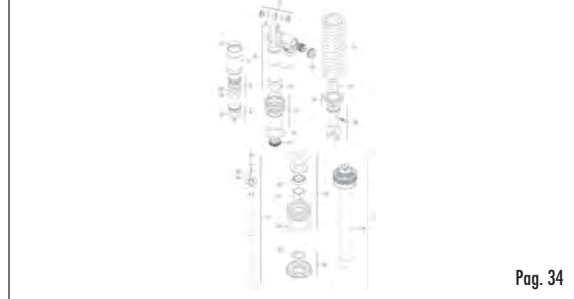
Pag. 30

TAV.33 Forcellone posteriore - Rear fork - Fourche arriere - Hinterradschwinge - Horquilla posterior



Pag. 32

TAV.33A Ammortizzatore posteriore - Rear damper - Amortisseur arriere - Hinterer Stoßdämpfer - Amortiguador posterior



Pag. 34

TAV.34 Forcella anteriore - Front fork - Fourche AV. - Vorderradgabel - Horquilla delantera



Pag. 36

TAV.35 Comandi-Manubrio - Controls-Handlebars - Commandes-Guidon - Bedienungselemente-Lenker - Mandos-Manillar



Pag. 38

TAV.36 Impianto freni idraulici - Hydraulic brakes system - Installation des freins hydrauliques - Hidraulischebremse anlage - Instalació n freno hidráulico



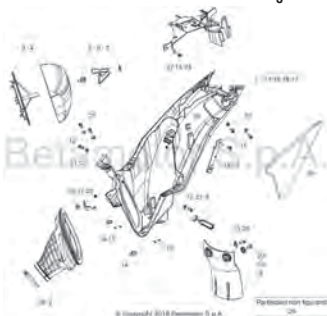
Pag. 40

TAV.37 Gruppo scarico - Exhaust system - Echappement - Auspuffanlage - Grupo escape



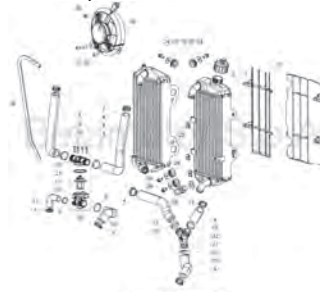
Pag. 42

TAV.38 Scatola filtro - Filter box - Boî tier du filtre - Sicherungskasten - Caja del filtro



Pag. 43

TAV.39 Impianto di raffreddamento - Installation de refroidissement - Installation de refroidissement - Kühlsystem - Instalació n de enfriamiento



Pag. 44

TAV.40 Impianto elettrico - Electrical equipment - Installation électrique - Elektrische anlage - Instalació n electrica



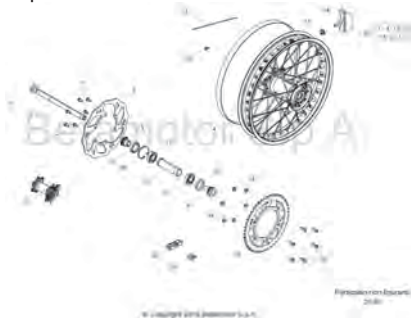
Pag. 46

TAV.41 Ruota anteriore - Front wheel - Roue AV. - Vorderrad - Rueda delantera



Pag. 48

TAV.42 Ruota posteriore - Rear wheel - Roue AR. - Hinterrad - Rueda trasera



Pag. 49

TAV.43A Carenature-Parafanghi - Mudguards - Carenages-Gardeboues - Verkleidungen-Kofflü geln - Carenados-Guardabarros



Pag. 50

TAV.43B Carenature-Serbatoio-Sella - Fairings-Tank-Saddle - Carenages-Reservoir-Selle - Verkleidungen-Tank-Sattel - Carenados-Deposito-Sillí n



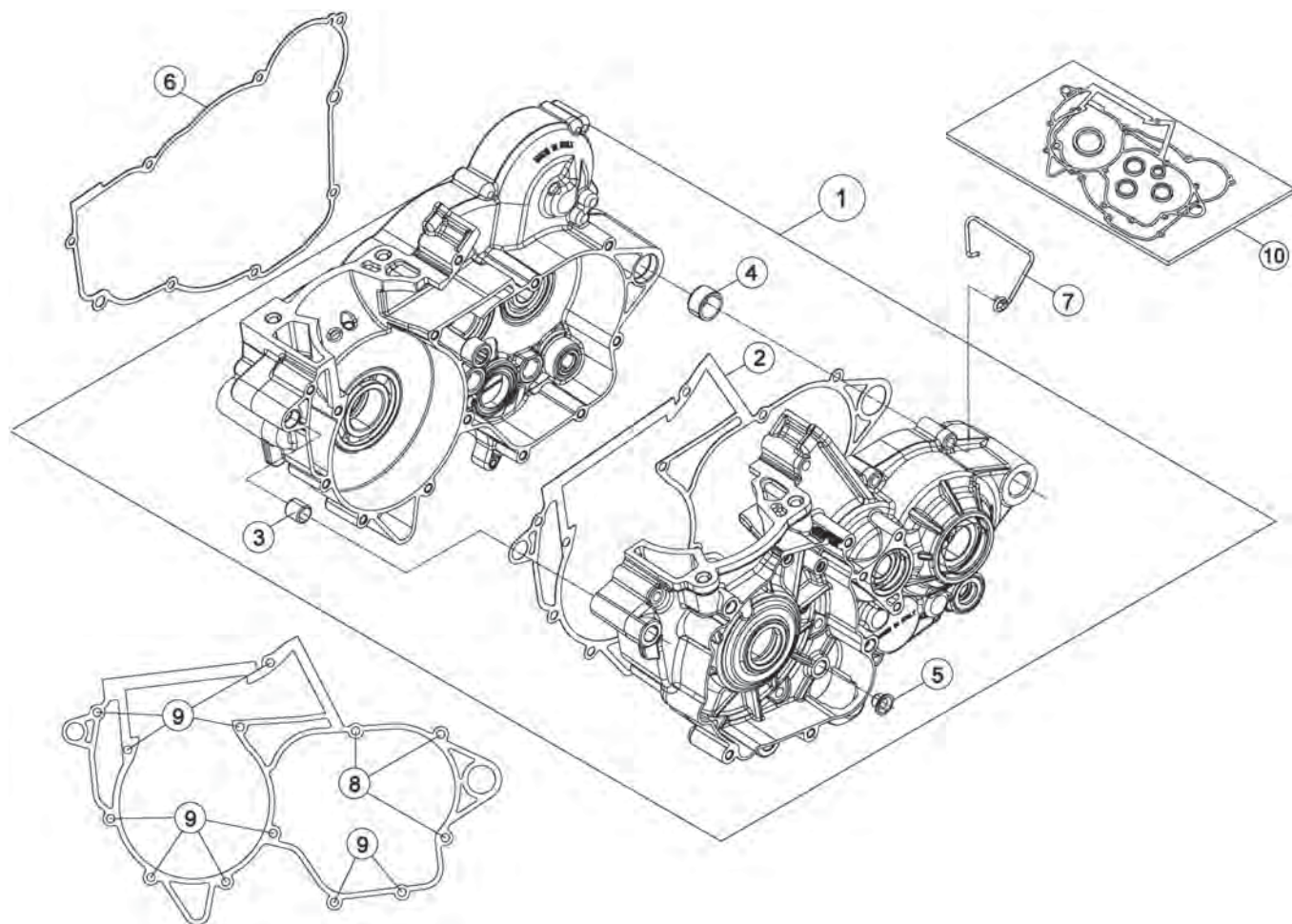
Pag. 52

TAV.44 Attrezzatura specifica - Special tools - Outillage spé cial - Spezialwerkzeug - Utiliaje específico



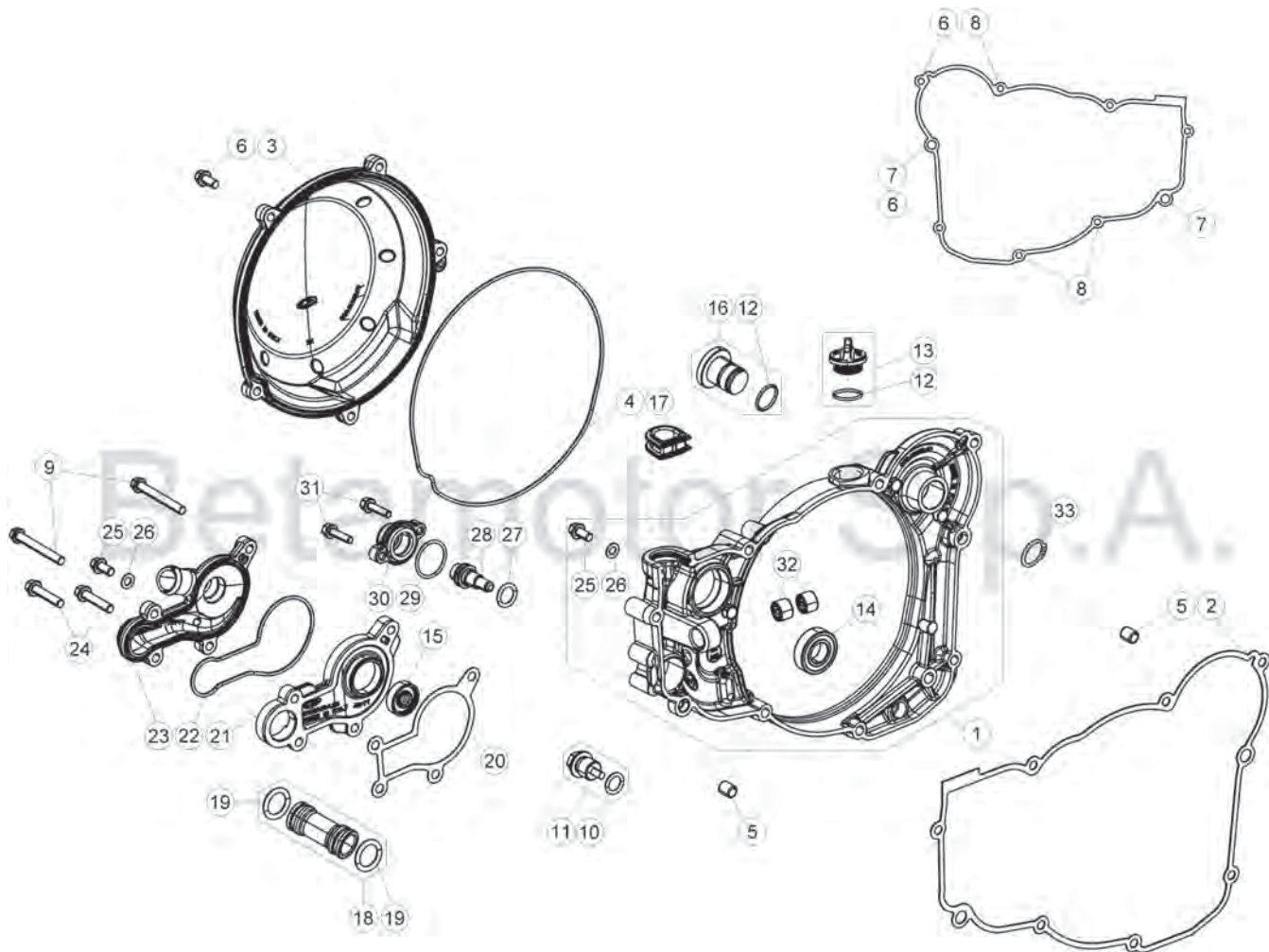
Pag. 54

Tav.01A



Tav.01A

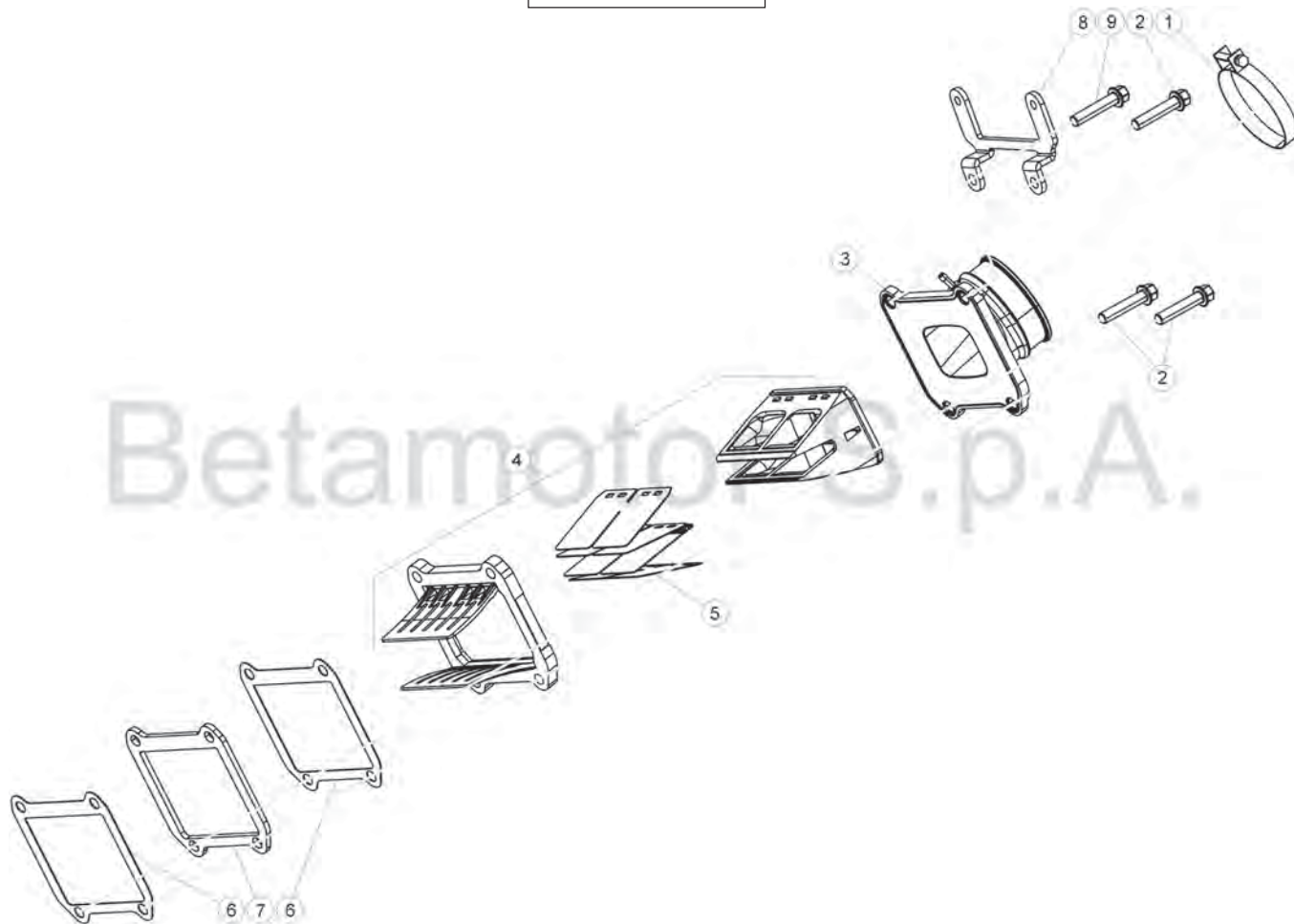
Pos Loc Ps Pos	Numero Number Numéro Nummer	Q.tà Q.ty Q.té M.ge C.ad	Nota Note Note Nota Anm.	Descrizione	Description	Désignation	Beschreibung	Descripció
1	026.01.021.80.00	1		Carter motore	Crankcase assy	Carter moteur complet	Kurbelgehäuse, kompl.	Carter motor completo
2	026.01.003.00.00	1		Guarnizione carter	Crankcase gasket	Joint carter	Dichtung Kurbelwellengehäuse	Junta cárter
3	16.41500.000	1		Grano di riferimento	Dowel	Repère	Passstift	Centraje
4	006.01.012.00.00	1		Grano di riferimento 17x21.12	Dowel 17x21.12	Repère 17x21.12	Passstift 17x21.12	Centraje 17x21.12
5	C03.02.001.00.00	1		Boccola 8x10x8	Bush 8x10x8	Moyeu 8x10x8	Büchse 8x10x8	Buje 8x10x8
6	026.01.005.00.00	1		Guarnizione copercchio frizione	Clutch cover gasket	Joint couvercle embrayage	Dichtung Kupplungsabdeckung	Junta tapa embrague
7	006.01.023.00.00	1		Passacavo	Grommet	Passe-câble	Kabeldurchgang	Pasacables
8	11.50360.000	3		Bullone M6x40	Bolt M6x40	Boulon M6x40	Bolzen M6x40	Tornillo M6x40
9	11.05535.000	10		Bullone 6.50 rs ch 8	Bolt 6.50 rs ch 8	Boulon 6.50 rs ch 8	Bolzen 6.50 rs ch 8	Tornillo 6.50 rs ch 8
10	036.01.010.82.00	1		Kit guarnizioni	Packings kit	Jeu joints	Dichtungensatz	Grupo juntas



© Copyright 2017 Betamotor S.p.A.

Tav.01B

Pos Loc Pos Ps Pos	Numero Number Número Nummer	Q.tà Q.ty Q.té M.ge C.ad	Nota Note Note Nota Anm.	Descrizione	Description	Désignation	Beschreibung	Descriçión
1	026.01.020.80.52	1		Coperchio frizione interno	Inner clutch cover	Couvercle interne d embrayage	Innerer Kupplungsdeckel	Tapa interior embrague
2	026.01.005.00.00	1		Guarnizione coperchio frizione	Clutch cover gasket	Joint couvercle embrayage	Dichtung Kupplungsabdeckung	Junta tapa embrague
3	026.01.018.80.52	1		Coperchio frizione esterno	Outer clutch cover	Couvercle externe d embrayage	Äußerer Kupplungsdeckel	Tapa exterior embrague
4	026.01.041.00.00	1		Guarnizione coperchio frizione	Clutch cover gasket	Joint couvercle embrayage	Dichtung Kupplungsabdeckung	Junta tapa embrague
5	16.36500.000	2		Grano 9x7,2x10	Dowel 9x7,2x10	Goujon 9x7,2x10	Stift 9x7,2x10	Clavija 9x7,2x10
6	11.49070.000	4		Bullone 6x20 ch rs	Bolt 6x20 ch rs	Boulon 6x20 ch rs	Bolzen 6x20 ch rs	Tornillo 6x20 ch rs
7	11.50300.000	2		Bullone 6x30 ch rs	Bolt 6x30 ch rs	Boulon 6x30 ch rs	Bolzen 6x30 ch rs	Tornillo 6x30 ch rs
8	11.05535.000	3		Bullone 6.50 rs ch 8	Bolt 6.50 rs ch 8	Boulon 6.50 rs ch 8	Bolzen 6.50 rs ch 8	Tornillo 6.50 rs ch 8
9	11.05485.000	2		Bullone M6x60 rs ch 8	Bolt M6x60 rs ch 8	Boulon M6x60 rs ch 8	Bolzen M6x60 rs ch 8	Tornillo M6x60 rs ch 8
10	10.66164.000	1		Anello Or 11x2,5 nbr70 sh	O-Ring 11x2,5 nbr70 sh	Bague d é tanché ité 11x2,5	O-Ring 11x2,5 nbr70 sh	Anillo OR 11x2,5 nbr70 sh
11	006.08.152.80.00	1		Tappo scarico olio	Oil exh. plug	Bouchon dech. huile	Oelablasschraube	Tapón de descarga aceite
12	10.66321.000	2		Anello OR 17,17x1,78	O-Ring 17,17x1,78	Bague d é tanché ité 17,17x1,78	O-Ring 17,17x1,78	Anillo OR 17,17x1,78
13	026.01.019.80.59	1		Tappo alimentazione olio	Oil filler cap	Bouchon remplissement huile	Ölverschluß	Tapón llenado aceite
14	C06.01.001.00.00	1		Cuscinetto 15.32.9 6002-2RSH C3	Bearing 15.32.9 6002-2RSH C3	Roulement 15.32.9 6002-2RSH C3	Lager 15.32.9 6002-2RSH C3	Cojinete 15.32.9 6002-2RSH C3
15	10.43720.000	1		Anello paraolio 8.24.7	Oil seal 8.24.7	Joint d é tanché ité 8.24.7	Ölschutzring 8.24.7	Retén de aceite 8.24.7
16	036.01.006.80.59	1		Tappo completo	Complete cap	Bouchon complet	Verschluß komplett	Tapón completo
17	026.01.031.80.00	1		Guarnizione asta valvola	Valve stem seal	Joint d etanch. de tige de soupape	Ventilhaftdichtung	Sello de vastago de valvula
18	026.01.037.80.00	1		Tubo acqua	Water pipe	Tuyau de l eau	Kühlfli ü ssigkeitsleitung	Tubo agua
19	C02.06.052.00.00	2		Anello OR 17,96x2,62	O-Ring 17,96x2,62	Bague d é tanché ité 17,96x2,62	O-Ring 17,96x2,62	Anillo OR 17,96x2,62
20	026.01.036.00.00	1		Guarnizione pompa acqua	Water pump gasket	Joint pompe eau	Dichtung Wasserpumpe	Empaque bomba agua
21	026.01.034.00.00	1		Corpo pompa acqua	Water pump plunger cylinder	Cylindre de plongeur de pompe eau	Wasserpumpengehä use	Cuepo bomba agua
22	026.01.035.00.00	1		Guarnizione pompa acqua	Water pump gasket	Joint pompe eau	Dichtung Wasserpumpe	Empaque bomba agua
23	026.01.033.00.00	1		Coperchio pompa acqua	Water pump cover	Couvercle pompe à eau	Wasserpumpendeckel	Tapa bomba agua
24	11.50300.000	2		Bullone 6x30 ch rs	Bolt 6x30 ch rs	Boulon 6x30 ch rs	Bolzen 6x30 ch rs	Tornillo 6x30 ch rs
25	11.47015.000	2		Bullone M6x12	Bolt M6x12	Boulon M6x12	Bolzen M6x12	Tornillo M6x12
26	27.40495.000	2		Rondella in rame 6.11	Copper washer 6.11	Rondelle en cuivre 6.11	Kupfer U.Scheibe 6.11	Arandela de cobre 6.11
27	10.66296.000	1		Anello OR 12,37,2,62	O-Ring 12,37,2,62	Bague d é tanché ité 12,37,2,62	O-Ring 12,37,2,62	Anillo OR 12,37,2,62
28	026.09.023.42.00	1		Guida molla regolabile	Adjustable spring guide	Guide ressort ré glable	Einstellbare Federfuehrung	Guia de resorte ajustable
29	10.66540.000	1		Anello OR 24.2	O-Ring 24.2	Bague d é tanché ité 24.2	O-Ring 24.2	Anillo OR 24.2
30	026.09.025.00.00	1		Coperchio	Cover	Couvercle	Deckel	Tapa
31	11.46401.000	2		Bullone M5x20	Bolt M5x20	Boulon M5x20	Bolzen M5x20	Tornillo M5x20
32	11.22100.000	2		Boccola a rulli 10.14.10	Roller bearing 10.14.10	Douille à roulements	Rollenbuchse	Caja de grasa de rodillos
33	33.00070.000	1		Seeger D.19	Circlip D.19	Circlip D.19	Seeger D.19	Seeger D.19

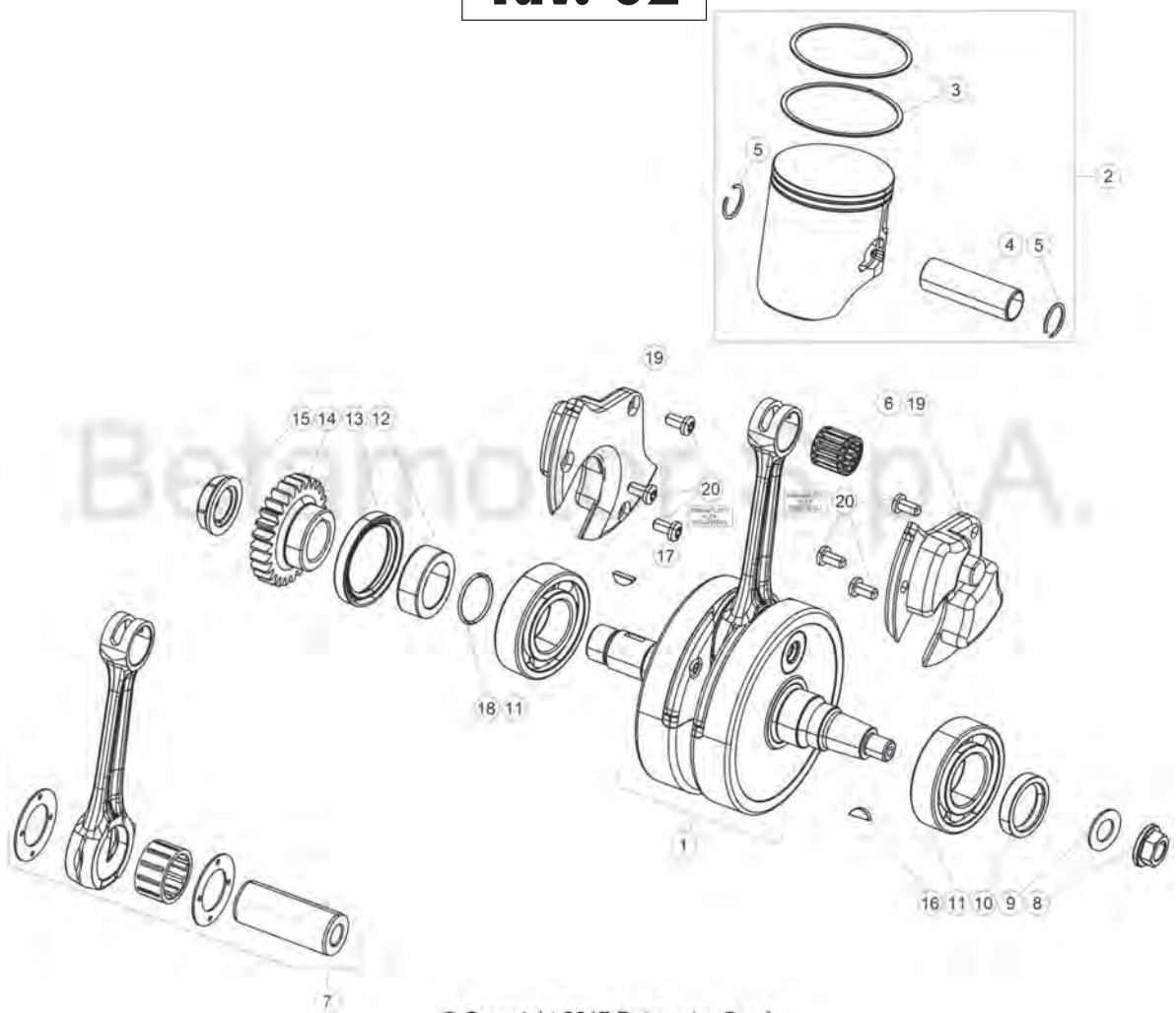


© Copyright 2016 Betamotor S.p.A.

Pos	Numero	Q.tà	Nota	Descrizione	Description	Désignation	Beschreibung	Descripción
Loc	Number	Q.ty	Note					
Pos	Numéro	Q.té	Note					
Ps	Número	M.ge	Nota					
Pos	Nummer	C.ad	Anm.					
1	15.14275.000	1		Fascetta 52/12	Clamp 52/12	Collier 52/12	Schelle 52/12	Abrazadera 52/12
2	11.50300.000	3		Bullone M6x30	Bolt M6x30	Boulon M6x30	Bolzen M6x30	Tornillo M6x30
3	036.01.005.80.00	1		Collettore carburatore	Inlet duct	Conduit adm.	Ansaugstutzen	Colector
4	026.01.007.80.00	1		Pacco lamellare	Leaf valve	Pyramide clapets	Lamellenpaket	Válvula láminas
5	026.01.009.00.00	1		Kit lamelle	Plate kit	Kit lamelle	Plättchenkit	Kit Laminilla
6	026.01.010.00.00	2		Guarnizione valvola aspirazione	Suction valve gasket	Joint soupape aspir.	Dichtung Einlaßventil	Junta válvula aspiración
7	026.01.008.42.52	1		Distanziale pacco lamellare	Leaf valve spacer	Entretoise pyramide clapets	Distanzstück Lamellenpaket	Distanciador válvula láminas
8	036.01.009.32.00	1		Attacco bobina	Coil bracket	Fixation bobine	Ankerplatte	SopORTE bobina
9	026.11.034.00.00	1		Vite di sicurezza	Tab screw	Vis de sûreté	Sicherungs-Schraube	Tornillo de seguridad

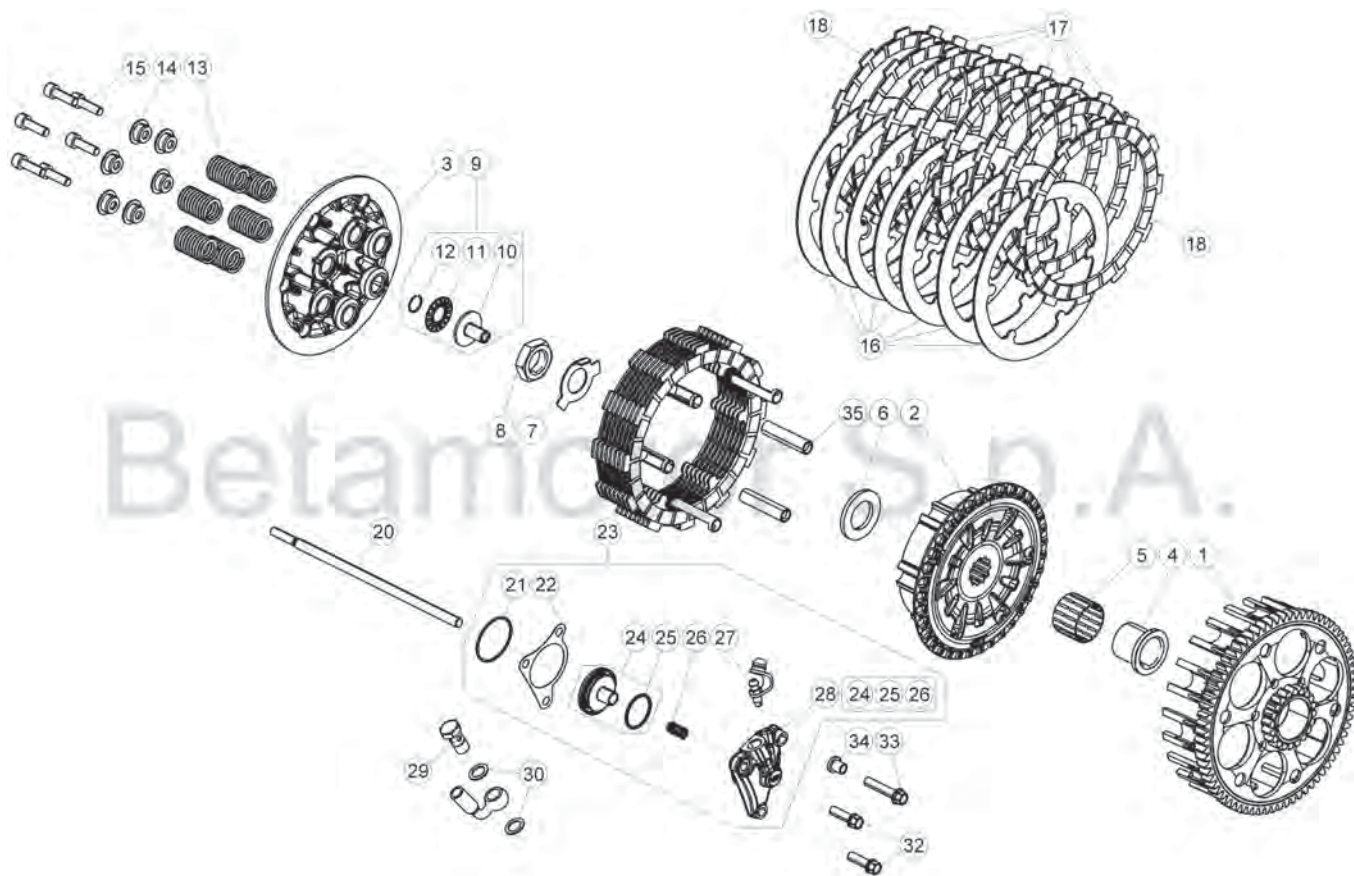


Tav. 02



© Copyright 2017 Betamotor S.p.A.

Pos Loc Pos Ps Pos	Numero Number Número Nummer	Q.tà Q.ty Q.té M.ge C.ad	Nota Note Note Nota Anm.	Descrizione	Description	Désignation	Beschreibung	Descripció
1	026.02.015.80.00	1		Albero motore	Crankshaft	Arbre moteur	Kurbelwelle	Cigü eñal
2	026.02.026.80.0A	1	250cc	Pistone completo - Sel. A	Piston set - Sel. A	Piston compl. - Sé l. A	Kolben, kompl. - Auswahl A	Pistó n, compl. - Sel. A
2	026.02.026.80.0B	1	250cc	Pistone completo - Sel. B	Piston set - Sel. B	Piston compl. - Sé l. B	Kolben, kompl. - Auswahl B	Pistó n, compl. - Sel. B
2	026.02.026.80.0C	1	250cc	Pistone completo - Sel. C	Piston set - Sel. C	Piston compl. - Sé l. C	Kolben, kompl. - Auswahl C	Pistó n, compl. - Sel. C
2	026.02.033.80.0A	1	300cc	Pistone completo - Sel. A	Piston set - Sel. A	Piston compl. - Sé l. A	Kolben, kompl. - Auswahl A	Pistó n, compl. - Sel. A
2	026.02.033.80.0B	1	300cc	Pistone completo - Sel. B	Piston set - Sel. B	Piston compl. - Sé l. B	Kolben, kompl. - Auswahl B	Pistó n, compl. - Sel. B
2	026.02.033.80.0C	1	300cc	Pistone completo - Sel. C	Piston set - Sel. C	Piston compl. - Sé l. C	Kolben, kompl. - Auswahl C	Pistó n, compl. - Sel. C
3	026.02.025.00.00	2	250cc	Segmento pistone	Piston ring	Segment de piston	Kolbendichtring	Aro piston
3	026.02.031.00.00	2	300cc	Segmento pistone	Piston ring	Segment de piston	Kolbendichtring	Aro piston
4	026.02.023.00.00	1		Spinotto	Pin	Axe	Zapfen	Eje
5	10.42600.000	2		Anello ferma spinotto	Piston pin lock ring	Bague de serrage goujon	Bolzenfeststellring	Anillo sujeta pasador
6	16.16710.000	1		Gabbia	Cage	Cage	Lagerkä fig	Jaula
7	026.02.019.80.00	1		Biella completa	Conn.-rod, assy	Bielle compl.	Pleuel, kompl.	Biela compl.
8	13.25010.000	1		Dado M12x1	Nut M12x1	Ecrou M12x1	Mutter M12x1	Tuerca M12x1
9	27.74810.000	1		Rondella elastica	Spring Washer	Rondelle é lastique	Federring	Arandela elástica
10	C02.01.041.00.00	1		Anello di tenuta	Oil seal	Joint d é tanché ité	Ölschutzring	Reté n de aceite
11	C06.01.035.00.00	2		Cuscinetto	Bearing	Roulement	Lager	Cojinete
12	026.02.009.00.00	1		Distanziale	Spacer	Entretoise	Distanzstü ck	Distanciador
13	C02.01.001.00.00	1		Anello paraolio 38.52.7	Oil seal 38.52.7	Joint d é tanché ité 38.52.7	Ölschutzring 38.52.7	Reté n de aceite 38.52.7
14	026.03.004.00.00	1		Pignone trasmissione primaria	Main Drive Sprocket	Pignon Transmission Primaire	Primä raantriebsritzel	Piñ ó n Transmisión Primaria
15	006.03.023.00.00	1		Dado M20X1x5 LH	Nut M20X1x5 LH	Ecrou M20X1x5 LH	Mutter M20X1x5 LH	Tuerca M20X1x5 LH
16	12.46020.000	1		Chiavetta 3x5	Key 3x5	Clavette 3x5	Keil 3x5	Chaveta 3x5
17	12.46151.000	1		Chiavetta 4x5 uni 6606	Key 4x5 uni 6606	Clavette 4x5 uni 6606	Keil 4x5 uni 6606	Chaveta 4x5 uni 6606
18	10.66620.000	1		Anello or 25,12x1,78	O-Ring 25,12x1,78	Bague d é tanché ité 25,12x1,78	O-Ring 25,12x1,78	Anillo OR 25,12x1,78
19	026.02.003.00.00	2		Inserto albero motore	Crankshaft insert	É lé ment arbre moteur	Einsatz Kurbelwelle	Encaje cigü eñal
20	C24.91.002.00.00	6		Vite 6.12 TORX	Screw 6.12 TORX	Vis 6.12 TORX	Schraube 6.12 TORX	Tornillo 6.12 TORX

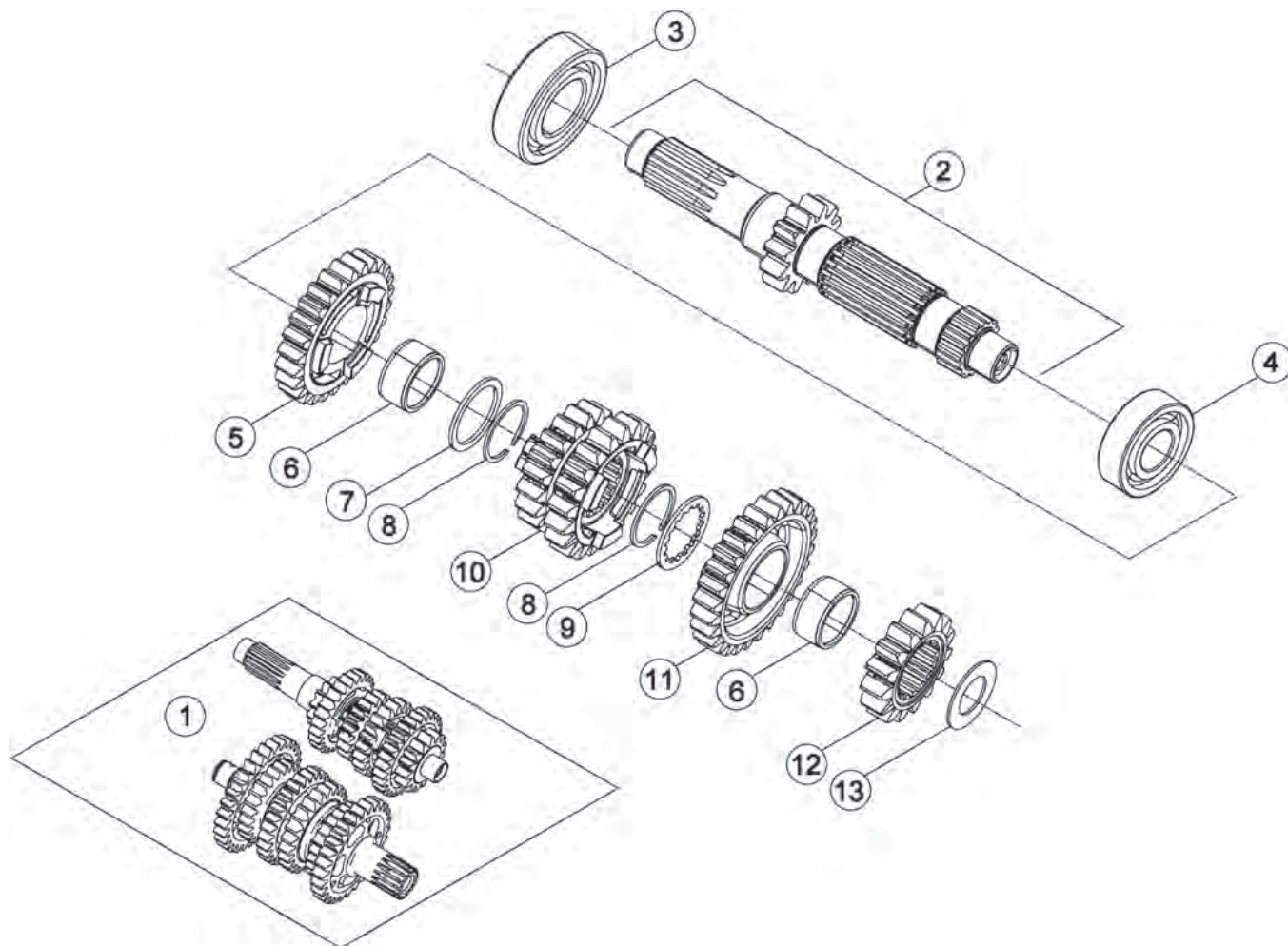


© Copyright 2017 Betamotor S.p.A.

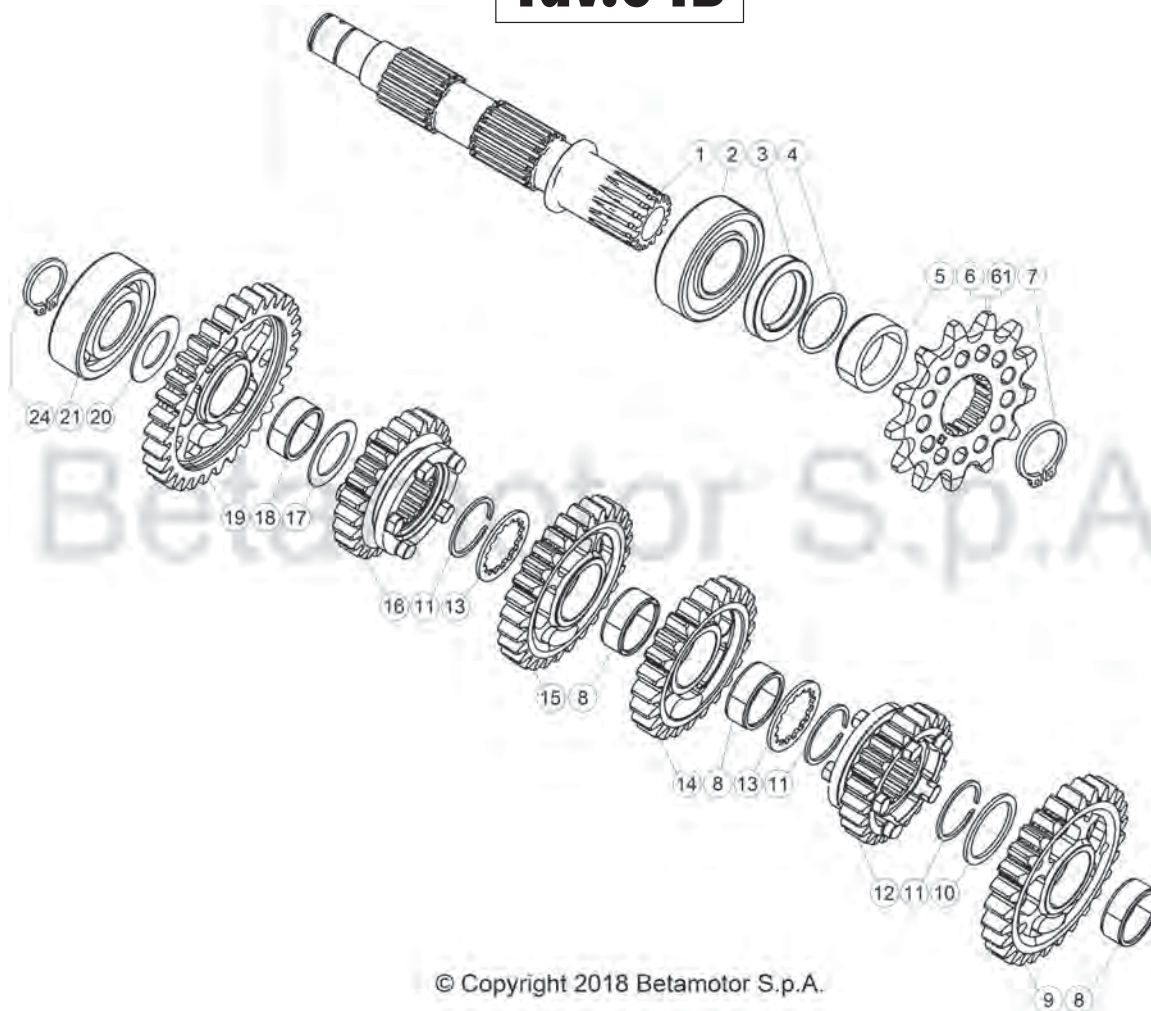
Pos Loc Pos Ps Pos	Numero Number Numéro Nummer	Q.tà Q.ty Q.té M.ge C.ad	Nota Note Note Nota Anm.	Descrizione	Description	Dé signation	Beschreibung	Descrìciò n
1	029.03.011.00.00	1		Corona trasmissione primaria	Clutch case assembly	Cloche d'embrayage compl.	Kupplungsglocke.	Campana de embr.completa
2	029.03.141.00.00	1		Mozzo frizione	Clutch drum	Moyeu d'embr.	Kupplungstrommel	Tambor de embr.
3	029.03.031.00.00	1		Piattello spingidisco	Spring collar	Godet d'embrayage	Druckteller	Platillo embrague
4	026.03.061.00.00	1		Boccola	Bush	Moyeu	Büchse	Buje
5	006.03.063.00.00	1		Boccola a rulli 26x30.22	Roller bearing 26x30.22	Douille à roulements 26x30.22	Rollenbuchse 26x30.22	Caja de grasa de rodillos 26x30.22
6	006.03.062.00.00	1		Rondella 21,7x38.3.	Washer 21,7x38.3.	Rondelle 21,7x38.3.	U.Scheibe 21,7x38.3.	Arandela 21,7x38.3.
7	029.03.000.48.00	1		Rondella di sicurezza	Tab washer	Rondelle de sûreté	Sicherungs-Unterlegscheibe	Arandela de seguridad
8	006.03.065.00.00	1		Dado M18x1,5 h9	Nut M18x1,5 h9	Ecrou M18x1,5 h9	Mutter M18x1,5 h9	Tuerca M18x1,5 h9
9	029.03.071.80.00	1		Innesto Frizione	Clutch Coupling	Crabot Embrayage	Stabeinkupplung	Acople Embrague
10	029.03.071.00.00	1		Innesto Asta Comando Frizione	Clutch Housing Rod Coupling	Crabot Tige Corps Embrayage	Stabeinkupplung Kupplungskörper	Acople Varilla Cuerpo Embrague
11	16.11370.000	1		Gabbia reggisplinta 15x28x2 con 1AS	Thrust bearing cage 15x28x2 with 1AS	Buté e à aiguilles 15x28x2 avec 1AS	Andruckkäfig 15x28x2 mit 1AS	Jaula cojinete de empuje 15x28x2 con 1AS
12	28.23105.000	1		Seeger RB14 DIN 7993	Circlip RB14 DIN 7993	Circlip RB14 DIN 7993	Seeger RB14 DIN 7993	Seeger RB14 DIN 7993
13	029.03.055.00.00	6		Molla frizione	Clutch spring	Ressort embr.	Kupplg.feder	Muelle embr.
14	036.03.001.42.61	6		Scodellino	Stop washer	Rondelle d'ar	Federaufnahme	Platillo
15	11.50010.000	4		Bullone M6x25	Bolt M6x25	Boulon M6x25	Bolzen M6x25	Tornillo M6x25
16	029.03.150.00.00	7		Disco condotto	Driven plate	Disque entraîné	Scheibe getrieben	Disco conducido
17	029.03.053.00.00	6		Disco conduttore	Driving plate	Disque menant	Scheibe treibend	Disco conductor
18	029.03.054.00.00	2		Disco conduttore	Driving plate	Disque menant	Scheibe treibend	Disco conductor
20	026.03.070.00.00	1		Astina innesto frizione	Clutch fl. dipstick	Axe embrayage	Kupplungsstange	Varita embrague
21	10.66840.000	1		Anello OR 33x1,5	O-Ring 33x1,5	Bague d'é-tanché-ité 33x1,5	O-Ring 33x1,5	Anillo OR 33x1,5
22	006.03.085.00.00	1		Guarnizione frizione	Clutch lining	Garniture embrayage	Kupplungsbelag	Forro de embrague
23	029.03.080.80.00	1	●	Corpo attuatore completo	Actuator body	Corps actionneur	Gehäuse Stellantrieb	Cuerpo del actuador
23	029.03.001.80.00	1	■ / MY19	Cilindro attuatore frizione	Clutch actuator cylinder	Cylindre actionneur embrayage	Zykubder Stellantrieb Kupplungs	Cilindro del actuador embrague
24	029.03.081.80.00	1	●	Pistone attuatore completo	Actuator piston, assy.	Piston actionneur complet	Kolben Stellantrieb kpl.	Pistón del actuador completo
24	006.03.281.80.00	1	■ / MY19	Pistone attuatore innesto frizione	Clutch actuator piston	Piston actionneur embrayage	Kolben Stellantrieb Kupplungs	Pistón del actuador embrague
25	10.66520.000	1		Anello OR 23,52X1,78	O-Ring 23,52X1,78	Bague d'é-tanché-ité 23,52X1,78	O-Ring 23,52X1,78	Anillo OR 23,52X1,78
26	006.03.083.00.00	1		Molla	Spring	Ressort	Feder	Muelle
27	28.91050.000	1		Tappo sfciato	Breather plug	Bouchon reniflard	Verschluß Entlüfter	Tapón respiradero
28	029.03.080.00.00	1	●	Corpo attuatore	Actuator body	Corps actionneur	Gehäuse Stellantrieb	Cuerpo del actuador
28	029.03.001.00.00	1	■ / MY19	Cilindro attuatore frizione	Clutch actuator cylinder	Cylindre actionneur embrayage	Zykubder Stellantrieb Kupplungs	Cilindro del actuador embrague
29	11.65040.000	1		Bullone forato 10x1 x tubo freno	Special bolt	Boulon 10x1 x tube frein	Hohlschraube F.Bremse	Tornillo esp. talad.10.1
30	16.50510.000	2		Guarnizione 10x15x1 in rame	Gasket 10x15x1 copper	Joint 10x15x1 cuivre	Dichtung 10x15x1 Kupfer	Junta 10.15.1 (cobre)
32	11.49070.000	2		Bullone 6x20 ch rs	Bolt 6x20 ch rs	Boulon 6x20 ch rs	Bolzen 6x20 ch rs	Tornillo 6x20 ch rs
33	11.50355.000	1		Bullone 6x35 rs ch8	Bolt 6x35 rs ch8	Boulon 6x35 rs ch8	Bolzen 6x35 rs ch8	Tornillo 6x35 rs ch8
34	13.49190.000	1		Distanziale 10mm	Spacer 10mm	Entretoise 10mm	Distanzstück 10mm	Distanciador 10mm
35	029.03.107.00.00	6		Guida disco	Plate guide	Guide-disque	Scheibeführing	Guí a disco

250cc MY 2018	● da Nr. telaio/from frame nr./du châssis n°/nur ab Rahmen n./desde chasis n. ZD3E802C9J0100291 Fino al telaio n./until frame nr./jusqu' au châssis n°/bis zum Rahmen n./hasta chasis n. ZD3E802CXJ0100400
	■ da Nr. telaio/from frame nr./du châssis n°/nur ab Rahmen n./desde chasis n. ZD3E802C1J0100401 Fino al telaio n./until frame nr./jusqu' au châssis n°/bis zum Rahmen n./hasta chasis n. ...
300cc MY 2018	● da Nr. telaio/from frame nr./du châssis n°/nur ab Rahmen n./desde chasis n. ZD3E803C9J0202107 Fino al telaio n./until frame nr./jusqu' au châssis n°/bis zum Rahmen n./hasta chasis n. ZD3E803C4J0203715
	■ da Nr. telaio/from frame nr./du châssis n°/nur ab Rahmen n./desde chasis n. ZD3E803C6J0203716 Fino al telaio n./until frame nr./jusqu' au châssis n°/bis zum Rahmen n./hasta chasis n. ...

Tav.04A

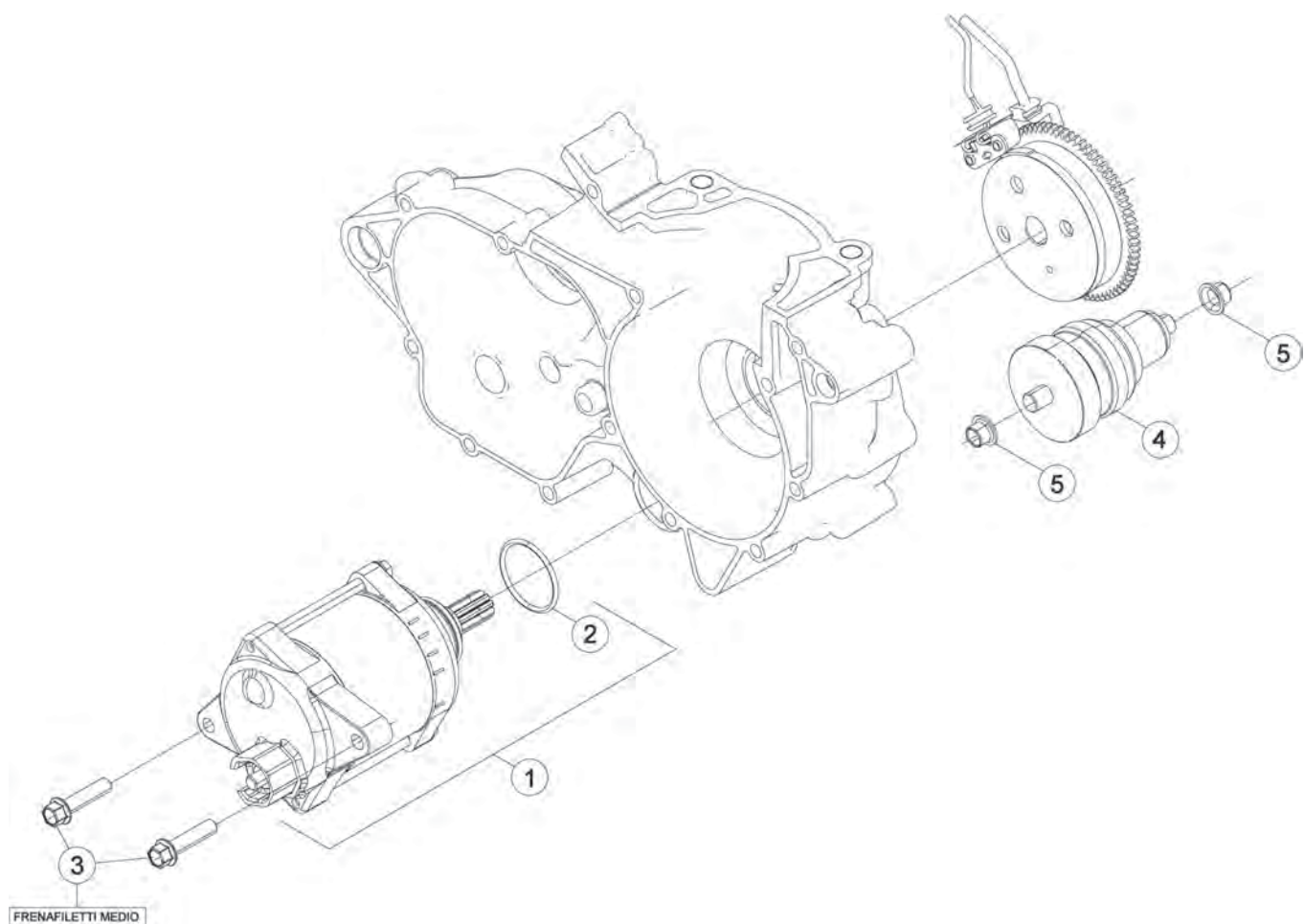


Pos Loc Pos Ps Pos	Numero Number Numéro Número Nummer	Q.tà Q.ty Q.té M.ge C.ad	Nota Note Note Nota Anm.	Descrizione	Description	Désignation	Beschreibung	Descrìption
1	026.04.000.80.00	1		Cambio completo	Transmission, assy	Boî te de vitesses	Getriebe komplett	Cambio completo
2	026.04.010.00.00	1		Albero primario completo	Complete main shaft	Arbre primaire complet	Komplette Hauptwelle	Arbol primario completo
3	12.95610.000	1		Cuscinetto 6205	Bearing 6205	Roulement 6205	Lager 6205	Cojìnete 6205
4	12.95605.000	1		Cuscinetto 6203	Bearing 6203	Roulement 6203	Lager 6203	Cojìnete 6203
5	006.04.015.00.00	1		Quinta sul primario	Fifth gear - mainshaft	Cinquième sur le primaire	5. Gang auf antriebswelle	Quinta marcha en el cigü eñ al primario
6	11.22855.000	2		Gabbia a rulli 22x26x13	Roller cage 22x26x13	Cage a roul. 22x26x13	Rollenkä fig 22x26x13	Jaula de rod. 22x26x13
7	006.04.031.00.00	1		Rondella rasamento	Thrust washer	Rondelle de buté e	Anlaufscheibe	Arandela distanciadora
8	28.25520.000	2		Seeger 25 SW	Circlip 25 SW	Circlip 25 SW	Seeger 25 SW	Seeger 25 SW
9	006.04.030.00.00	1		Rondella rasamento	Thrust washer	Rondelle de buté e	Anlaufscheibe	Arandela distanciadora
10	006.04.013.00.00	1		Terza e quarta sul primario	Third and fourth gear - mainshaft	Troisième et quatrième sur le primaire	3. Gang Und 4. Gang auf antriebswelle	Tercera y Cuarta marcha en el cigü eñ al primario
11	006.04.016.00.00	1		Sesta sul primario	6th gear - mainshaft	Sixième sur le primaire	6. Gang auf antriebswelle	Sesta marcha en el cigü eñ al primario
12	006.04.012.00.00	1		Seconda sul primario	Second gear - mainshaft	Deuxième sur le primaire	2. Gang auf abtriebswelle	Segunda marcha en el cigü eñ al primario
13	006.04.032.00.00	1		Rondella rasamento 17x30x1	Thrust washer 17x30x1	Rondelle de buté e 17x30x1	Anlaufscheibe 17x30x1	Arandela distanciadora 17x30x1



© Copyright 2018 Betamotor S.p.A.

Pos Loc Pos Ps Pos	Numero Number Numéro Número Nummer	Q.tà Q.ty Q.tié M.ge C.ad	Nota Note Note Nota Anm.	Descrizione	Description	Désignation	Beschreibung	Descrìcion
1	026.04.020.00.00	1		Albero secondario	Counter shaft	Arbre secondaire	Nebengetriebewelle	Eje secundario
2	12.99710.000	1		Cuscinetto NJ205	Bearing NJ205	Roulement NJ205	Lager NJ205	Cojinete NJ205
3	10.66020.000	1		Anello paraolio 32x45x6x5	Oil seal 32x45x6x5	Joint d'étanchéité 32x45x6x5	Ölschutzring 32x45x6x5	Retén de aceite 32x45x6x5
4	10.66540.000	1		Anello OR 24.2	O-Ring 24.2	Bague d'étanchéité 24.2	O-Ring 24.2	Anillo OR 24.2
5	006.04.040.00.00	1		Distanziale	Spacer	Entretoise	Distanzstück	Distanciador
6	006.04.050.00.00	1		Pignone Z=13	Pinion Z=13	Pignon Z=13	Ritzel Z=13	Piñón Z=13
6.1	006.04.052.00.00	1		Pignone Z=15	Pinion Z=15	Pignon Z=15	Ritzel Z=15	Piñón Z=15
7	28.25530.000	1		Anello seeger 25x2	Snap ring 25x2	Circlips 25x2	Seegerring 25x2	Anillo seeger 25x2
8	11.22845.000	3		Gabbia a rulli 22x26x10	Roller cage 22x26x10	Cage a roul. 22x26x10	Rollenkäfig 22x26x10	Jaula de rod. 22x26x10
9	006.04.022.00.00	1		Seconda sul secondario	Second gear - layshaft	Deuxième sur le secondaire	2. Gang auf Vorgelegewelle	Segunda marcha en el cigüeñal sec.
10	006.04.031.00.00	1		Rondella rasamento	Thrust washer	Rondelle de butée	Anlaufscheibe	Arandela distanciadora
11	28.25520.000	3		Seeger 25 SW	Circlip 25 SW	Circlip 25 SW	Seeger 25 SW	Seeger 25 SW
12	006.04.026.00.00	1		Sesta sul secondario	6th gear - layshaft	Sixième sur le secondaire	6. Gang auf Vorgelegewelle	Sexta marcha en el cigüeñal sec.
13	006.04.030.00.00	2		Rondella rasamento	Thrust washer	Rondelle de butée	Anlaufscheibe	Arandela distanciadora
14	006.04.024.00.00	1		Quarta sul secondario	Fourth gear - layshaft	Quatrième sur le secondaire	4. Gang auf Vorgelegewelle	Cuarta marcha en el cigüeñal sec.
15	006.04.023.00.00	1		Terza sul secondario	Third gear - layshaft	Troisième sur le secondaire	3. Gang auf Vorgelegewelle	Tercera marcha en el cigüeñal sec.
16	006.04.025.00.00	1		Quinta sul secondario	Fifth gear - layshaft	Cinquième sur le secondaire	5. Gang auf Vorgelegewelle	Quinta marcha en el cigüeñal sec.
17	006.04.033.00.00	1		Rondella rasamento 20x30x1	Thrust washer 20x30x1	Rondelle de butée 20x30x1	Anlaufscheibe 20x30x1	Arandela distanciadora 20x30x1
18	11.22835.000	1		Gabbia a rulli 20x24x10	Roller cage 20x24x10	Cage a roul. 20x24x10	Rollenkäfig 20x24x10	Jaula de rod. 20x24x10
19	006.04.021.00.00	1		Prima sul secondario	First gear - layshaft	Première sur le secondaire	1. Gang auf Vorgelegewelle	Primera marcha en el cigüeñal secundario
20	006.04.032.00.00	1		Rondella rasamento 17x30x1	Thrust washer 17x30x1	Rondelle de butée 17x30x1	Anlaufscheibe 17x30x1	Arandela distanciadora 17x30x1
21	12.95605.000	1		Cuscinetto 6203	Bearing 6203	Roulement 6203	Lager 6203	Cojinete 6203
24	001.23.001.00.00	1		Seeger 17x1	Circlip 17x1	Circlip 17x1	Seeger 17x1	Seeger 17x1



Pos Loc Pos Ps Pos	Numero Number Numéro Número Nummer	Q.tà Q.ty Q.té M.ge C.ad	Nota Note Note Nota Anm.	Descrizione	Description	Désignation	Beschreibung	Descripción
1	026.07.000.80.00	1		Motorino avviamento	Starter motor	Moteur du démarreur	Startermotor	Motor de arranque
2	36.25056.000	1		Anello OR 25,00x3,00	O-Ring 25,00x3,00	Bague d'étanchéité 25,00x3,00	O-Ring 25,00x3,00	Anillo OR 25,00x3,00
3	11.50010.000	2		Bullone M6x25	Bolt M6x25	Boulon M6x25	Bolzen M6x25	Tornillo M6x25
4	026.07.010.00.00	1		Innesto	Contact tag	Cosse	Stecker	Toma de contacto
5	C03.02.001.00.00	2		Boccola 8x10x8	Bush 8x10x8	Moyeu 8x10x8	Büchse 8x10x8	Buje 8x10x8

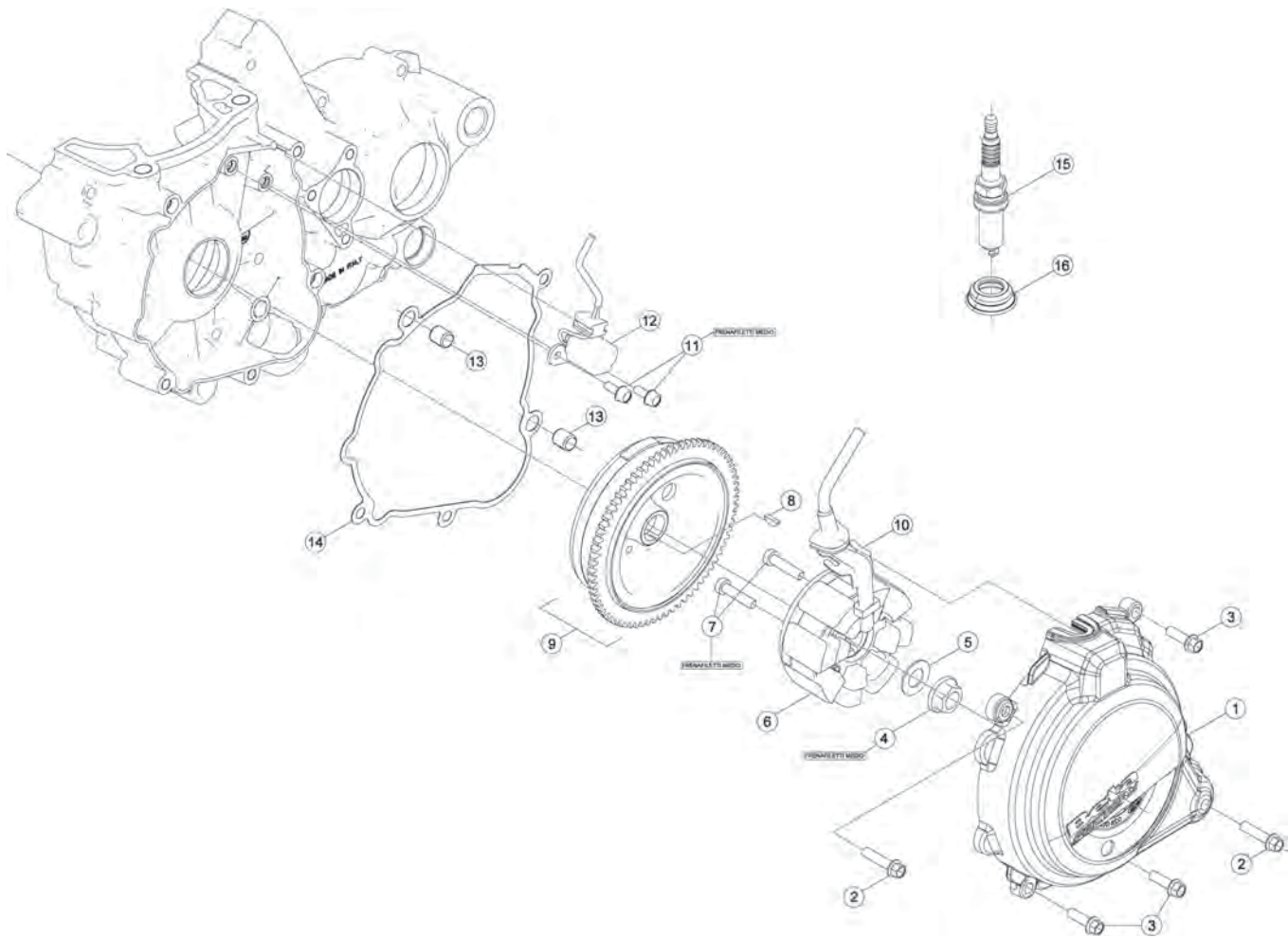


© Copyright 2017 Betamotor S.p.A.

Tav.09

Pos Loc Pos Ps Pos	Numero Number Numéro Número Nummer	Q.tà Q.ty Q.té M.ge C.ad	Nota Note Note Nota Anm.	Descrizione	Description	Dé signation	Beschreibung	Descrìciò n
1	026.09.013.80.00	1		Bilanciere compl.	Rocker arm assy	Culbuteur compl.	Kipphebel kpl.	Balanci n compl.
2	27.36500.000	1		Rondella 5.15	Washer 5.15	Rondelle 5.15	U.Scheibe 5.15	Arandela 5.15
3	11.46251.000	2		Bullone flangiato M5x12	Head Flanged bolt M5x12	Boulon Bridé M5x12	Bundbolzen M5x12	Bulón con Brida M5x12
4	026.09.015.80.00	1		Asta comando valvola	Valve control rod	Tige de commande soupape	Ventilsteuerungsstab	Varilla mando válvula
5	026.09.017.00.00	1		Guida molla	Spring guide	Guide ressort	Federfuehrung	Guia de resorte
6	035.09.010.00.00	1	250cc	Molla	Spring	Ressort	Feder	Muelle
6	026.09.018.00.00	1	300cc	Molla	Spring	Ressort	Feder	Muelle
7	026.09.022.00.00	1		Molla regolazione	Adjusting spring	Ressort de réglage	Feder, Einstell	Muelle de regul.
8	C19.04.001.00.00	2		Rondella 16.10.1	Washer 16.10.1	Rondelle 16.10.1	U.Scheibe 16.10.1	Arandela 16.10.1
9	11.22100.000	2		Boccola a rulli 10x14x10	Roller bearing 10x14x10	Douille à roulements 10x14x10	Rollenbuchse 10x14x10	Caja de grasa de rodillos 10x14x10
10	026.09.011.00.00	1		Leva controllo	Control Lever	Levier De Commande	Steuerhebel	Palanca Control
11	006.09.000.00.00	1		Girante pompa	Rotor	Roue de pompe	Wasserpumpenrad	Rotor de la bomba
12	006.09.012.00.00	1		Rondella	Washer	Rondelle	U.Scheibe	Arandela
13	026.09.031.00.00	2		Perno valvola di scarico	Exhaust valve pin	Pivot soupape d'échapp.	Stift Auslassventil	Perno válvula de descarga
14	026.09.040.00.00	1		Valvola BOOSTER	BOOSTER valve	Soupape BOOSTER	Auslass BOOSTER	Válvula BOOSTER
15	026.09.005.80.00	1		Centrifuga completa	Centrifugal unit	Unité centrifuge	Zentrifugaleinheit	Unidad centrí fuga
16	16.11512.000	1		Gabbia assiale a rullini	Axial needle collar	Cage à aiguilles axiale	Axial-Nadelkranz	Jaula de agujas del cojinete
17	27.56400.000	1		Ralla	Washer	Rondelle	Scheibe	Arandela
18	026.09.003.00.00	1		Distanziale	Spacer	Entretoise	Distanzstück	Distanziador
19	28.22760.000	1		Seeger A12	Circlip A12	Circlip A12	Seeger A12	Seeger A12
21	31.30015.000	1		Vite a brugola 5x20	Allen screw 5x20	Vis à 6 pans 5x20	Sechskantschraube 5x20	Tornillo a llave allen 5x20
22	27.36500.000	1		Rondella Ø5	Washer Ø5	Rondelle Ø5	U.Scheibe Ø5	Arandela Ø5
23	026.09.042.85.00	1		Leva comando	Operating lever	Levier commande	Betaetigungshebel	Palanca de mando
24	026.09.046.00.00	1		Molla	Spring	Ressort	Feder	Muelle
25	026.09.044.00.00	1		Distanziale	Spacer	Entretoise	Distanzstück	Distanziador
26	026.09.043.85.00	1		Leva fine corsa	Travel limit lever	Levier fin de course	Endanschlaghebel	Palanca final de carrera
27	026.09.047.00.00	1		Distanziale	Spacer	Entretoise	Distanzstück	Distanziador
28	12.93410.000	4		Cuscinetto	Bearing	Roulement	Lager	Cojinete
29	026.09.041.00.00	1		Valvola BOOSTER	BOOSTER valve	Soupape BOOSTER	Auslass BOOSTER	Válvula BOOSTER
30	026.09.050.00.00	1	250cc	Valvola di scarico	Exhaust valve	Soupape d'échapp.	Auslassventil	Válvula de descarga
30	026.09.049.00.00	1	300cc	Valvola di scarico	Exhaust valve	Soupape d'échapp.	Auslassventil	Válvula de descarga
31	C21.31.001.00.00	2		Molla sicurezza	Locking spring	Ressort surete	Sicherungsfeder	Resorte de seguridad
32	12.93387.000	1		Cuscinetto 6.19.6	Bearing 6.19.6	Roulement 6.19.6	Lager 6.19.6	Cojinete 6.19.6
33	C06.01.001.00.00	1		Cuscinetto 15.32.9 6002-2RSH C3	Bearing 15.32.9 6002-2RSH C3	Roulement 15.32.9 6002-2RSH C3	Lager 15.32.9 6002-2RSH C3	Cojinete 15.32.9 6002-2RSH C3
34	10.43720.000	1		Anello paraolio 8.24.7	Oil seal 8.24.7	Joint d'étanchéité 8.24.7	Ölschutzring 8.24.7	Retén de aceite 8.24.7

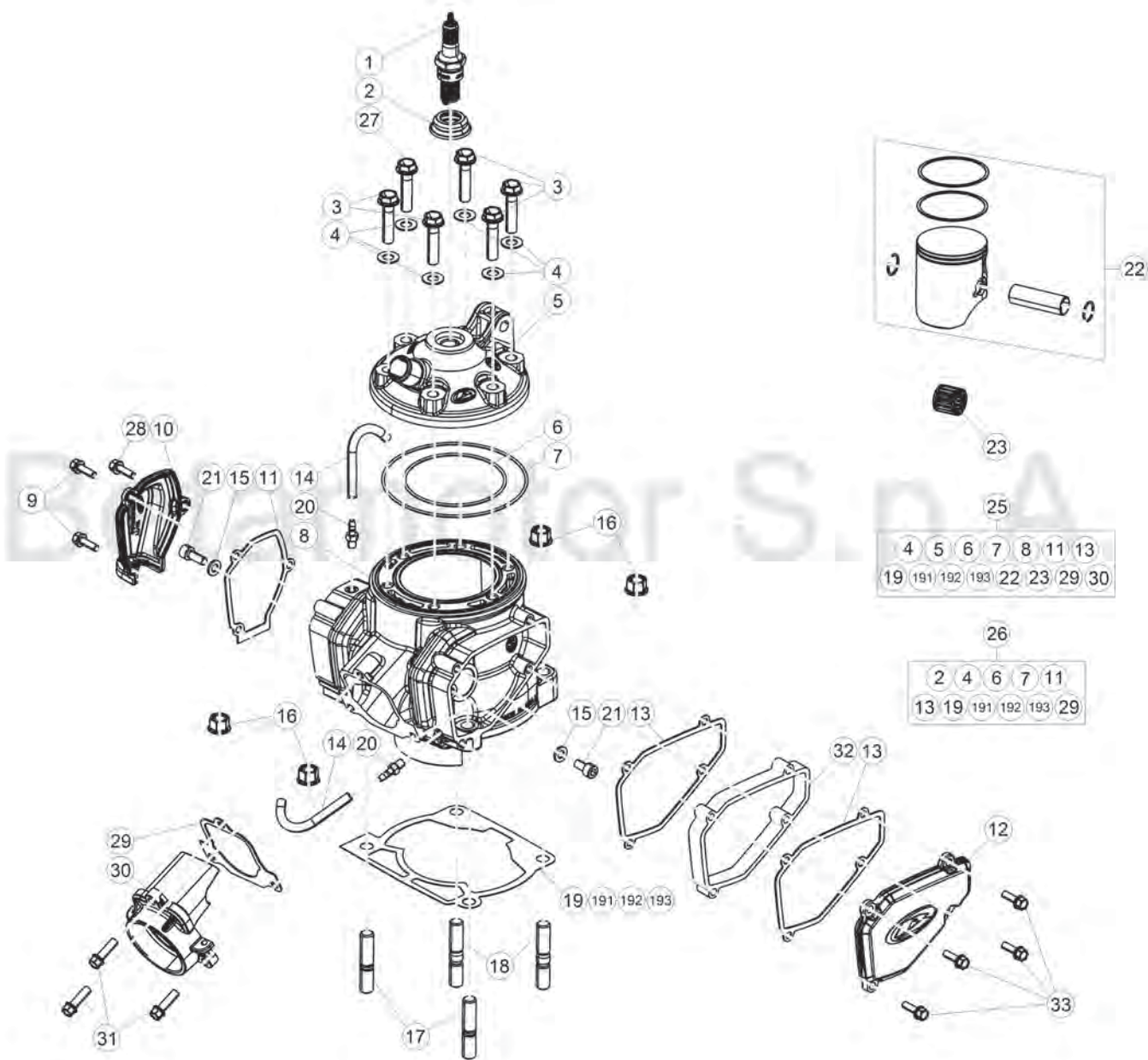
Tav.10



Tav.10

Pos Loc Pos Ps Pos	Numero Number Número Nummer	Q.tà Q.ty Q.té M.ge C.ad	Nota Note Note Nota Anm.	Descrizione	Description	Dé signation	Beschreibung	Descrìciòn
1	026.01.051.80.52	1		Coperchio volano	Flywheel cover	Carter volant	Schwungraddeckel	Tapa volante
2	11.50010.000	2		Bullone M6x25	Bolt M6x25	Boulon M6x25	Bolzen M6x25	Tornillo M6x25
3	11.49070.000	3		Bullone 6x20 ch rs	Bolt 6x20 ch rs	Boulon 6x20 ch rs	Bolzen 6x20 ch rs	Tornillo 6x20 ch rs
4	13.25010.000	1		Dado M12x1	Nut M12x1	Ecrou M12x1	Mutter M12x1	Tuerca M12x1
5	27.74810.000	1		Rondella elastica	Spring Washer	Rondelle é lastique	Federring	Arandela elástica
6	006.10.020.00.00	1		Statore	Backplate	Stator	Ankerplatte	Estator
7	31.48507.000	2		Vite tcce testa ribassata M6x25	Screw tcce, shallow head M6x25	Vis tcce à tête basse M6x25	Schraube tcce senkkopf M6x25	Tornillo tcce de cabeza rebajada M6x25
8	12.46020.000	1		Chiavetta 3x5	Key 3x5	Clavette 3x5	Keil 3x5	Chaveta 3x5
9	026.10.001.85.00	1		Rotore volano	Flywheel rotor	Rotor volant	Rotor schwungrad	Rotor volante
10	006.01.054.00.00	1		Piastrina	Plate	Plaquette	Plättchen	Placa
11	11.46251.000	2		Bullone flangiato M5x12	Head Flanged bolt M5x12	Boulon Bridé M5x12	Bundbolzen M5x12	Bulón con Brida M5x12
12	026.10.003.00.00	1		Pick up	Pick-up	Capteur	Pick-up	Pick-up
13	16.36500.000	2		Grano 9x7,2x10	Dowel 9x7,2x10	Goujon 9x7,2x10	Stift 9x7,2x10	Clavija 9x7,2x10
14	026.01.053.00.00	1		Guarnizione coperchio volano	Alternator cover gasket	Garniture couvercle alternateur	Alternatordeckeldichtung	Junta tapa alternador
15	036.11.001.00.00	1		Candela	Spark plug	Bougie	Zündkerze	Bujía
16	026.10.012.00.00	1		Guarnizione candela	Spark plug gasket	Joint bougie	Zündkerzendichtring	Junta bujía

Tav.11

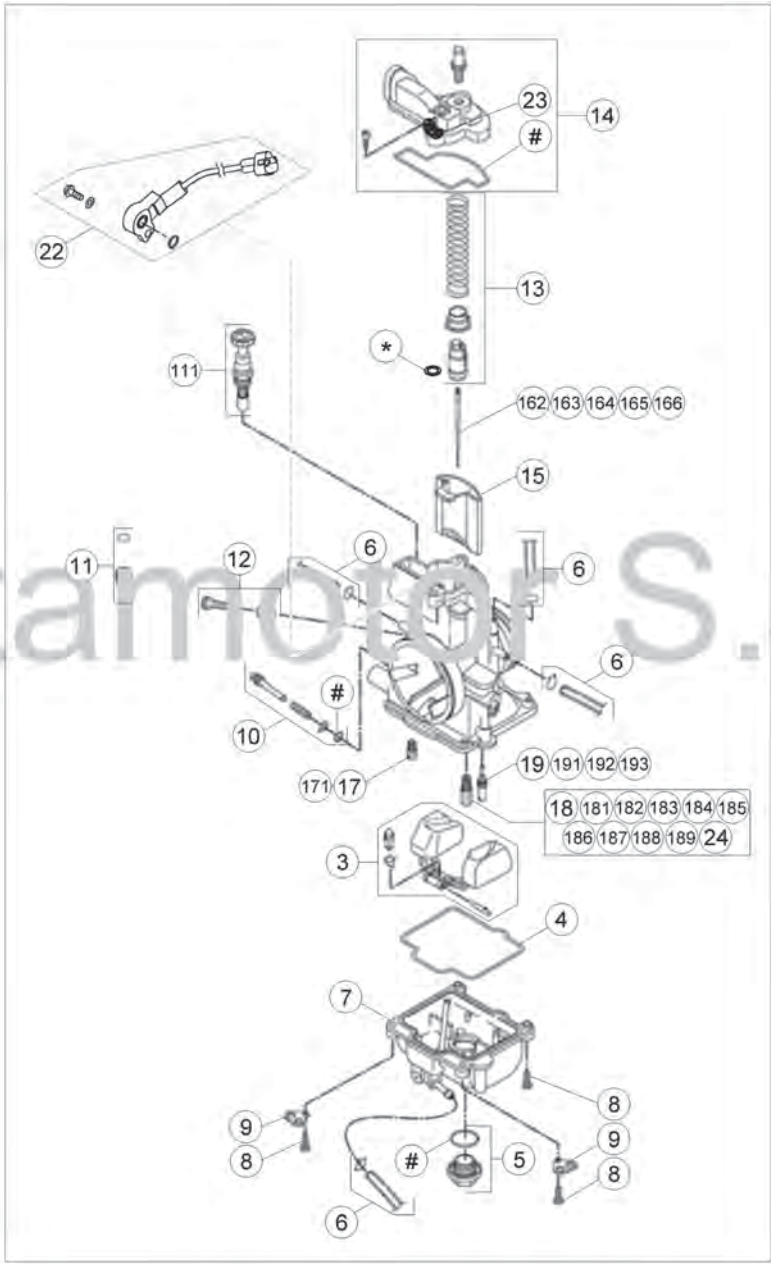


© Copyright 2017 Betamotor S.p.A.

Tav.11

Pos Loc Pos Ps Pos	Numero Number Numéro Nummer	Q.tà Q.ty Q.té M.ge C.ad	Nota Note Note Nota Anm.	Descrizione	Description	Dé signation	Beschreibung	Descrìcion
1	036.11.001.00.00	1		Candela	Spark plug	Bougie	Zündkerze	Bujia
2	026.10.012.00.00	1		Guarnizione candela	Spark plug gasket	Joint bougie	Zündkerzendichtung	Junta bujia
3	026.11.011.00.00	5		Vite flangiata M8x35	Flange bolt M8x35	Boulon de bride M8x35	Flanschschraube M8x35	Perno de reborde M8x35
4	026.11.010.00.00	6		Rosetta 8.16.1	Washer 8.16.1	Rondelle 8.16.1	Federring 8.16.1	Arandela 8.16.1
5	026.11.106.80.52	1	250cc	Testa completa D66,4	Cylinder head D66,4	Culasse complete D66,4	Zylinderkopf Kpl. D66,4	Culata completa D66,4
5	036.11.009.80.52	1	300cc	Testa completa D.72	Cylinder head D.72	Culasse complete D.72	Zylinderkopf Kpl. D.72	Culata completa D.72
6	10.66972.000	1	250cc	Anello OR 73.2 VITON	O-Ring 73.2 VITON	Bague d'é tanché ité 73.2 VITON	O-Ring 73.2 VITON	Anillo OR 73.2 VITON
6	10.66973.000	1	300cc	Anello OR 78.2	O-Ring 78.2	Bague d'é tanché ité 78.2	O-Ring 78.2	Anillo OR 78.2
7	10.66978.000	1		Anello OR 105.2	O-Ring 105.2	Bague d'é tanché ité 105.2	O-Ring 105.2	Anillo OR 105.2
8	026.11.029.00.0A	1	250cc	Cilindro - Sel. A	Cylinder - Sel. A	Cylindre - Sé l. A	Zylinder - Auswahl A	Cilindro - Sel. A
8	026.11.029.00.0B	1	250cc	Cilindro - Sel. B	Cylinder - Sel. B	Cylindre - Sé l. B	Zylinder - Auswahl B	Cilindro - Sel. B
8	036.11.010.00.0A	1	300cc	Cilindro - Sel. A	Cylinder - Sel. A	Cylindre - Sé l. A	Zylinder - Auswahl A	Cilindro - Sel. A
8	036.11.010.00.0B	1	300cc	Cilindro - Sel. B	Cylinder - Sel. B	Cylindre - Sé l. B	Zylinder - Auswahl B	Cilindro - Sel. B
9	11.46360.000	2		Bullone flangiato M5x16	Head Flanged bolt M5x16	Boulon Bridé M5x16	Bundbolzen M5x16	Bulón con Brida M5x16
10	026.11.002.20.00	1		Coperchio valvola Dx.	Right valve head cover	Couvercle soupape D.	Ventilabdeckung rechts	Tapa vá lvula der.
11	026.11.003.00.00	1		Guarnizione caperchio valvola dx.	Right valve head gasket	Garniture couvercle soupape D.	Ventildeckeldichtung rechts	Junta tapa vá lvula der.
12	026.11.004.00.52	1		Coperchio valvola Sx.	Left valve head cover	Couvercle soupape G.	Ventilabdeckung links	Tapa vá lvula izq.
13	026.11.005.00.00	2		Guarnizione caperchio valvola sx.	Left valve cover gasket	Garniture couvercle soupape G.	Ventildeckeldichtung links	Junta tapa vá lvula izq.
14	026.11.012.00.00	2		Tubo benzina	Petrol tube	Tuyau d'essence	Benzinschlauch	Tabo gasolina
15	27.40500.000	2		Rondella 6x13	Washer 6x13	Rondelle 6x13	U.Scheibe 6x13	Arandela 6x13
16	13.20210.000	4		Dado speciale M10x1,25 ch 13	Special nut M10x1,25 ch 13	Ecrou spéciale M10x1,25 ch 13	Spezialmutter M10x1,25 ch 13	Tuerca especial M10x1,25 ch 13
17	C24.76.001.00.00	2		Prigioniero M10x30x1,25	Stud M10x30x1,25	Goujon M10x30x1,25	Stiftschraube M10x30x1,25	Espá rrago M10x30x1,25
18	C24.76.002.00.00	2		Prigioniero M10x35x1,25	Stud M10x35x1,25	Goujon M10x35x1,25	Stiftschraube M10x35x1,25	Espá rrago M10x35x1,25
19	026.11.025.00.00	1		Guarnizione base cilindro Sp. 0,3	Cylinder base gasket Sp. 0,3	Garniture base cylindre Sp. 0,3	Dichtung für Zylinderfuß Sp. 0,3	Junta base cilindro Sp. 0,3
19.1	026.11.026.00.00	1		Guarnizione base cilindro Sp. 0,4	Cylinder base gasket Sp. 0,4	Garniture base cylindre Sp. 0,4	Dichtung für Zylinderfuß Sp. 0,4	Junta base cilindro Sp. 0,4
19.2	026.11.027.00.00	1		Guarnizione base cilindro Sp. 0,5	Cylinder base gasket Sp. 0,5	Garniture base cylindre Sp. 0,5	Dichtung für Zylinderfuß Sp. 0,5	Junta base cilindro Sp. 0,5
19.3	026.11.028.00.00	1		Guarnizione base cilindro Sp. 0,6	Cylinder base gasket Sp. 0,6	Garniture base cylindre Sp. 0,6	Dichtung für Zylinderfuß Sp. 0,6	Junta base cilindro Sp. 0,6
20	29.00280.000	2		Tappo presa dep. testa	Air Vent Plug	Bouchon prise dep.	Verschluss f. Lufteinlass	Tapón Toma Aire dep.
21	31.31050.000	2		Vite t.c.c.e.M6x16	Screw t.c.c.e.M6x16	Vis t.c.c.e.M6x16	Schraube t.c.c.e.M6x16	Tornillo t.c.c.e.M6x16
22	026.02.026.80.0A	1	250cc	Pistone completo - Sel. A	Piston set - Sel. A	Piston compl. - Sé l. A	Kolben, kompl. - Auswahl A	Pistón, compl. - Sel. A
22	026.02.026.80.0B	1	250cc	Pistone completo - Sel. B	Piston set - Sel. B	Piston compl. - Sé l. B	Kolben, kompl. - Auswahl B	Pistón, compl. - Sel. B
22	026.02.026.80.0C	1	250cc	Pistone completo - Sel. C	Piston set - Sel. C	Piston compl. - Sé l. C	Kolben, kompl. - Auswahl C	Pistón, compl. - Sel. C
22	026.02.033.80.0A	1	300cc	Pistone completo - Sel. A	Piston set - Sel. A	Piston compl. - Sé l. A	Kolben, kompl. - Auswahl A	Pistón, compl. - Sel. A
22	026.02.033.80.0B	1	300cc	Pistone completo - Sel. B	Piston set - Sel. B	Piston compl. - Sé l. B	Kolben, kompl. - Auswahl B	Pistón, compl. - Sel. B
22	026.02.033.80.0C	1	300cc	Pistone completo - Sel. C	Piston set - Sel. C	Piston compl. - Sé l. C	Kolben, kompl. - Auswahl C	Pistón, compl. - Sel. C
23	16.16710.000	1		Gabbia	Cage	Cage	Lagerkäfig	Jaula
25	026.11.115.82.0A	1	250cc	Kit gruppo termico - Sel. A	Thermal unit kit- Sel. A	Jeu groupe thermique - Sé l. A	Satz für Thermischen Gruppe - Auswahl A	Serie revisión grupo té rmico - Sel. A
25	026.11.115.82.0B	1	250cc	Kit gruppo termico - Sel. B	Thermal unit kit- Sel. B	Jeu groupe thermique - Sé l. B	Satz für Thermischen Gruppe - Auswahl B	Serie revisión grupo té rmico - Sel. B
25	036.11.011.82.0A	1	300cc	Kit gruppo termico - Sel. A	Thermal unit kit- Sel. A	Jeu groupe thermique - Sé l. A	Satz für Thermischen Gruppe - Auswahl A	Serie revisión grupo té rmico - Sel. A
25	036.11.011.82.0B	1	300cc	Kit gruppo termico - Sel. B	Thermal unit kit- Sel. B	Jeu groupe thermique - Sé l. B	Satz für Thermischen Gruppe - Auswahl B	Serie revisión grupo té rmico - Sel. B
26	036.11.005.82.00	1		Kit guarnizioni gruppo termico	Thermal unit gasket set	Jeu joints groupe thermique	Dichtungssatz kompl. Thermischen Gruppe	Juego juntas grupo té rmico
27	026.11.037.00.00	1		Vite di sicurezza	Tab screw	Vis de sû reté	Sicherungs-Schraube	Tornillo de seguridad
28	026.11.036.00.00	1		Vite di sicurezza	Tab screw	Vis de sû reté	Sicherungs-Schraube	Tornillo de seguridad
29	026.11.039.00.00	1		Guarnizione flangia	Flange gasket	Garniture bride	Dichtung Flansch	Junta para brida
30	026.11.032.00.00	1		Flangia scarico	Flange exhaust	Bride é chappement	Auslassflansch	Brida de escape
31	11.49070.000	3		Bullone TE M6x20 RS CH 8	Screw TE M6x20 RS CH 8	Vis TE M6x20 RS CH 8	Schraube TE M6x20 RS CH 8	Tornillo TE M6x20 RS CH 8
32	036.11.007.20.00	1		Distanziale	Spacer	Entretoise	Distanzstück	Distanciador
33	C24.31.042.00.00	4		Vite flangiata 5.25 RS CH8	Flange bolt 5.25 RS CH8	Boulon de bride 5.25 RS CH8	Flanschschraube 5.25 RS CH8	Perno de reborde 5.25 RS CH8

Tav.12



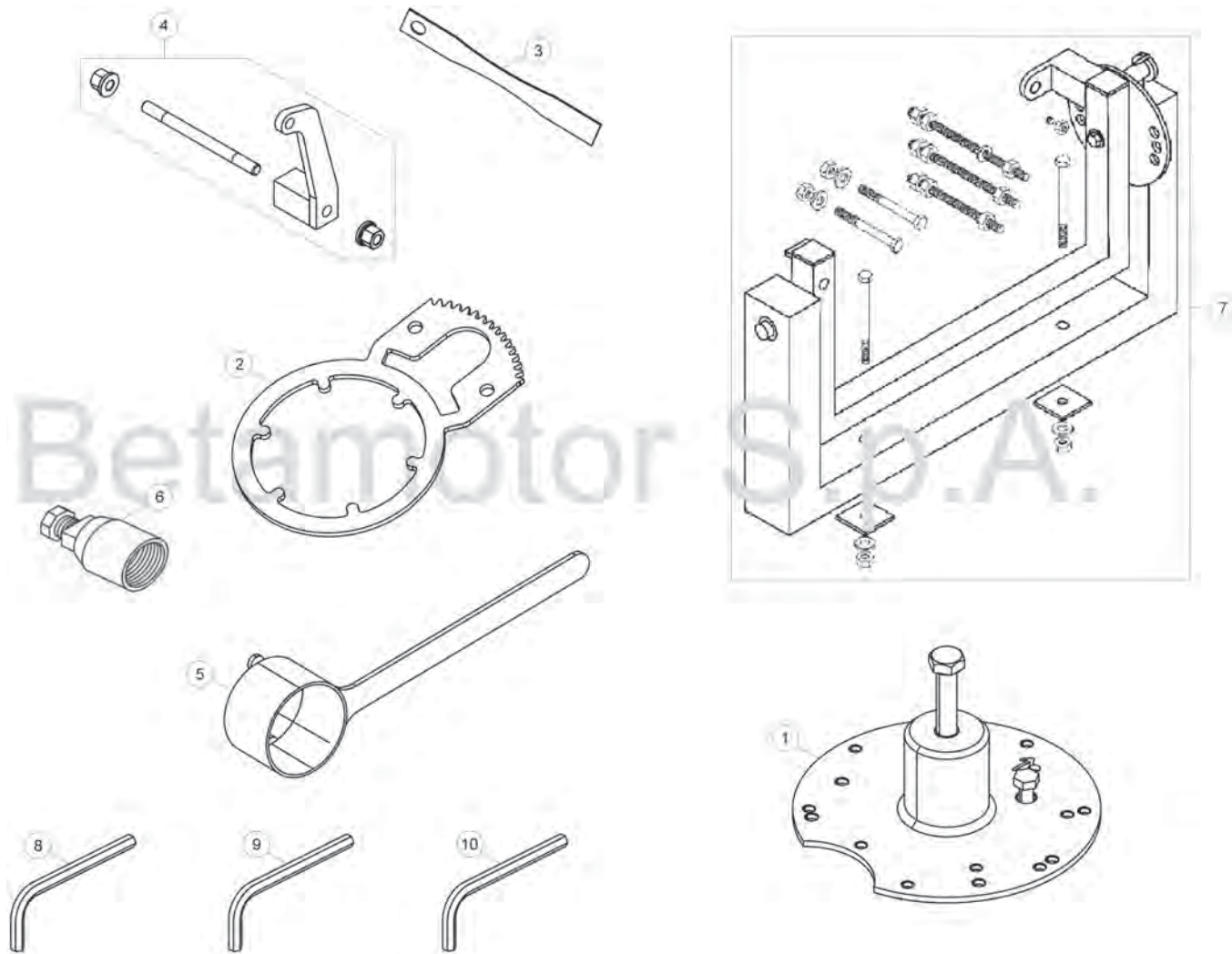
© Copyright 2016 Betamotor S.p.A.



Tav.12

Pos Loc Pos Ps Pos	Numero Number Numéro Nummer	Q.tà Q.ty Q.té M.ge C.ad	Nota Note Note Nota Anm.	Descrizione	Description	Dé signation	Beschreibung	Descrìciò n
1	026.12.102.80.00	1		Carburatore KEIHIN	Carburettor KEIHIN	Carburateur KEIHIN	Vergaser KEIHIN	Carburador KEIHIN
1	036.12.011.80.00	1	250ccEU	Carburatore	Carburettor	Carburateur	Vergaser	Carburador KEIHIN
1	036.12.008.80.00	1	300ccEU	Carburatore	Carburettor	Carburateur	Vergaser	Carburador KEIHIN
3	026.12.009.80.00	1		Galleggiante	Float	Flotteur	Schwimmer	Flotador
4	026.12.011.00.00	1		Guarnizione vaschetta	Float chamber gasket	Joint vase essence	Dichtung Schwimmergehäuse	Junta cuba
5	026.12.012.80.00	1		Tappo vaschetta	Cap drain	Bouchon	Verschluss	Tapón
6	026.12.045.00.00	1		Kit tubi sfiato	Breather pipes kit	Kit tuyaux reniflard	Kit Entlüftungsleitungen	Kit tubos respiraderos
7	026.12.015.00.00	1		Vaschetta completa	Chamber assy.	Cuvette compl.	Becken kpl	Cubeta compl.
8	026.12.016.00.00	3		Vite M4x16	Screw M4x16	Vis M4x16	Schraube M4x16	Tornillo M4x16
9	026.12.024.00.00	2		Piastrina	Plate	Plaque	Plättchen	Placa
10	026.12.028.80.00	1		Vite di regolazione	Adjusting screw	Vis de réglage	Schraube, Einstell	Tornillo de regul.
11	026.12.006.80.00	1		Distanziale	Spacer	Entretoise	Distanzstück	Distanciador
11.1	026.12.008.00.00	1		Pistone starter	Starter piston	Piston starter	Kolben starter	Pistón starter
12	026.12.032.80.00	1		Vite di regolazione	Adjusting screw	Vis de réglage	Schraube, Einstell	Tornillo de regul.
13	026.12.037.80.00	1		Molla valvola	Valve spring	Ressort soupape	Ventilfeder	Muelle válvula
14	036.12.001.80.00	1		Coperchio carburatore	Carburettor cover	Couvercle carburateur	Abdeckung Vergaser	Tapa carburador
15	036.12.002.00.00	1		Valvola carburatore	Carb Valve	Soupape Carburateur	Vergaserventil	Válvula Carb.
16.2	036.12.003.00.00	1	300cc	Spillo N1EJ	Needle N1EJ	Pointeau N1EJ	Düsenadel N1EJ	Aguja N1EJ
16.3	026.12.017.00.00	1	EU	Spillo N84K	Needle N84K	Pointeau N84K	Düsenadel N84K	Aguja N84K
16.4	026.12.023.00.00	1	300cc	Spillo NOZJ	Needle NOZJ	Pointeau NOZJ	Düsenadel NOZJ	Aguja NOZJ
16.5	036.12.005.00.00	1		Spillo N1EI	Needle N1EI	Pointeau N1EI	Düsenadel N1EI	Aguja N1EI
16.6	036.12.006.00.00	1		Spillo N1EK	Needle N1EK	Pointeau N1EK	Düsenadel N1EK	Aguja N1EK
16.7	026.12.022.00.00	1	250cc	Spillo NOZK	Needle NOZK	Pointeau NOZK	Düsenadel NOZK	Aguja NOZK
17	026.12.046.00.00	1	250-300cc	Getto starter 85	Starter jet 85	Gicleur starter 85	Starterdüse 85	Surtidor starter 85
17.1	026.12.005.00.00	1	EU	Getto starter 50	Starter jet 50	Gicleur starter 50	Starterdüse 50	Surtidor starter 50
18	16.42304.000	1		Getto massimo 118	Main jet 118	Gicleur maxi 118	Hauptdüse 118	Surtidor máximo 118
18.1	36.25104.000	1	250-300cc	Getto massimo 155	Main jet 155	Gicleur maxi 155	Hauptdüse 155	Surtidor máximo 155
18.2	36.25105.000	1		Getto massimo 158	Main jet 158	Gicleur maxi 158	Hauptdüse 158	Surtidor máximo 158
18.3	36.25106.000	1		Getto massimo 160	Main jet 160	Gicleur maxi 160	Hauptdüse 160	Surtidor máximo 160
18.4	36.25107.000	1		Getto massimo 162	Main jet 162	Gicleur maxi 162	Hauptdüse 162	Surtidor máximo 162
18.5	36.25108.000	1		Getto massimo 165	Main jet 165	Gicleur maxi 165	Hauptdüse 165	Surtidor máximo 165
18.6	36.25109.000	1		Getto massimo 168	Main jet 168	Gicleur maxi 168	Hauptdüse 168	Surtidor máximo 168
18.7	36.25110.000	1		Getto massimo 170	Main jet 170	Gicleur maxi 170	Hauptdüse 170	Surtidor máximo 170
18.8	36.25111.000	1		Getto massimo 172	Main jet 172	Gicleur maxi 172	Hauptdüse 172	Surtidor máximo 172
18.9	36.25112.000	1		Getto massimo 175	Main jet 175	Gicleur maxi 175	Hauptdüse 175	Surtidor máximo 175
19	16.42357.000	1	250-300cc	Getto minimo 35	Starter jet 35	Gicleur starter 35	Starterdüse 35	Surtidor starter 35
19.1	16.42355.000	1	250ccEU	Getto minimo 38	Starter jet 38	Gicleur starter 38	Starterdüse 38	Surtidor starter 38
19.2	026.12.007.00.00	1		Getto minimo 40	Starter jet 40	Gicleur starter 40	Starterdüse 40	Surtidor starter 40
19.3	16.42347.000	1		Getto minimo 42	Starter jet 42	Gicleur starter 42	Starterdüse 42	Surtidor starter 42
20	026.12.044.00.00	1		Kit guarnizioni	Packings kit	Jeu joints	Dichtungensatz	Grupo juntas
22	036.12.004.00.00	1		Sensore posizione valvola a farfalla	Throttle Position Sensor	Sensor Position Valve	Sensor Gasschieberposition	Sensor Valvula
23	25.57912.000	1		Piastrina fissaggio molla collettore	Retaining plate, manifold spring	Plaque de fixation ressort de coll.	Befestigungsplatte krümmerfeder	Pastilla de fijación del muelle colector
24	16.42311.000	1	EU	Getto massimo 130	Main jet 130	Gicleur maxi 130	Hauptdüse 130	Surtidor máximo 118

Tav.14

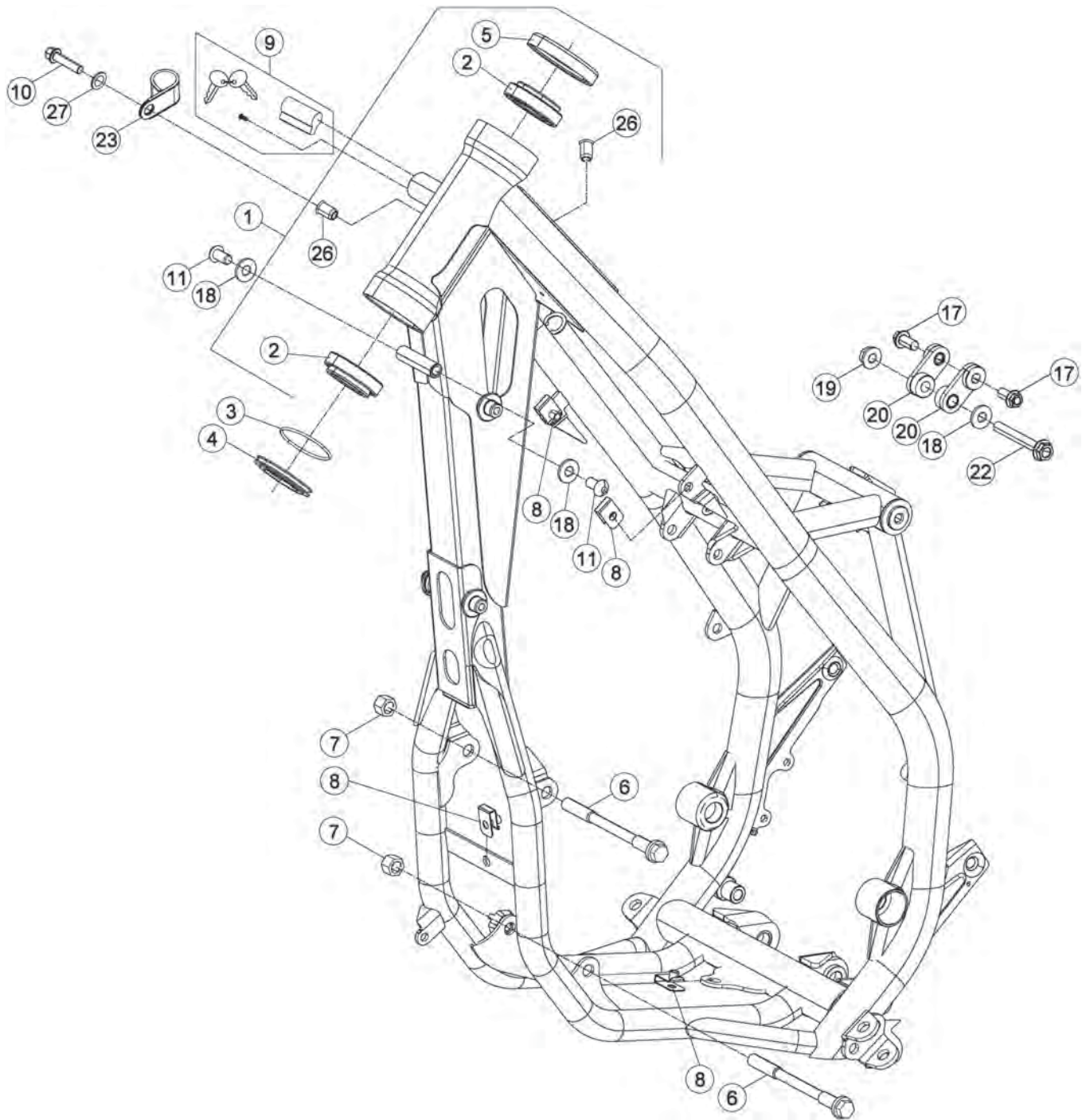


© Copyright 2017 Betamotor S.p.A.

Tav.14

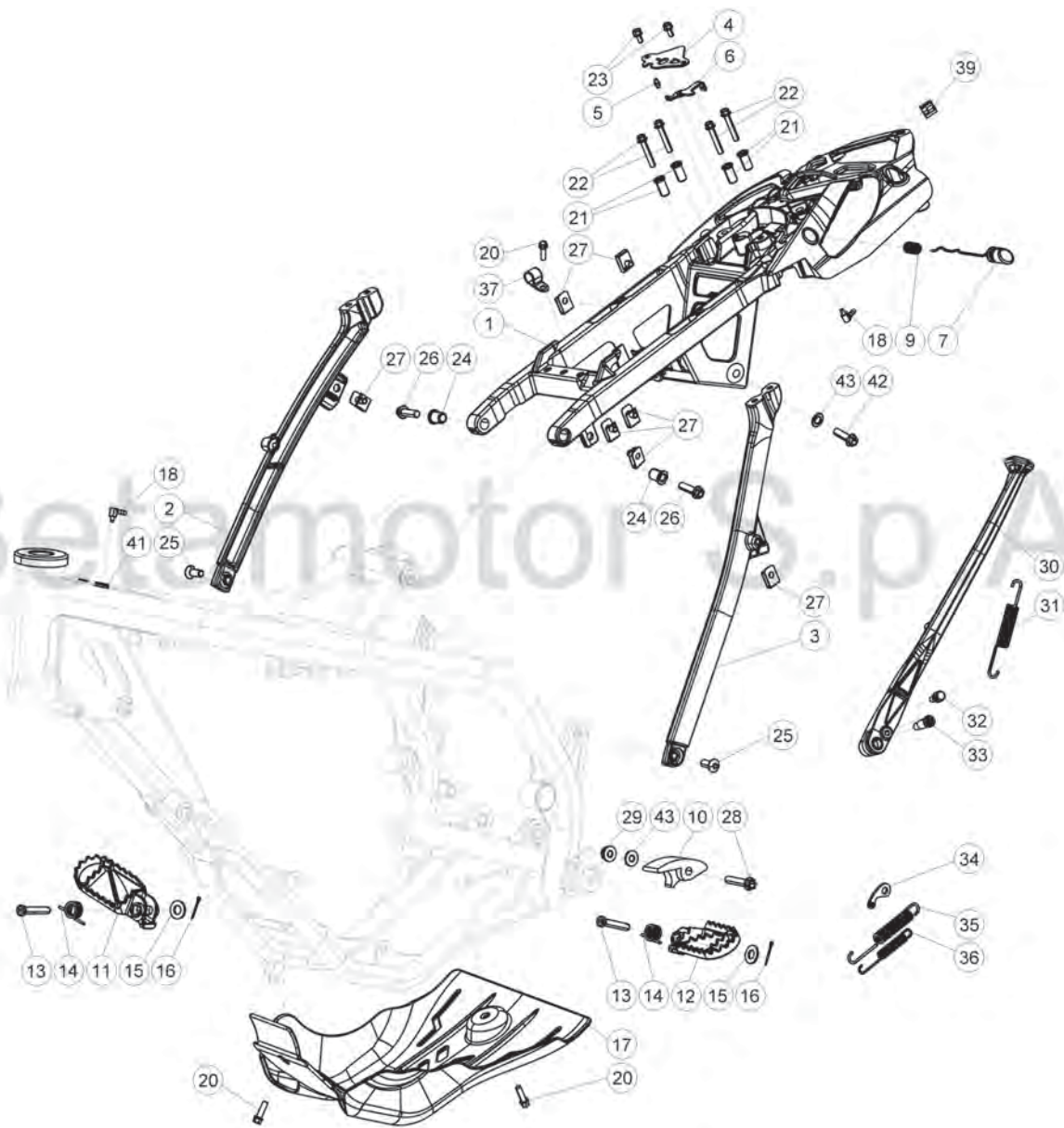
Pos Loc Pos Ps Pos	Numero Number Numéro Número Nummer	Q.tà Q.ty Q.té M.ge C.ad	Nota Note Note Nota Anm.	Descrizione	Description	Dé signation	Beschreibung	Descripció n
1	007.14.010.80.00	1		Disaccoppiatore carter	Crankcase splitter	Sé parateur de carter	Entkoppler gehä use	Desacoplador del cárter
2	029.14.002.50.00	1		Chiave speciale	Special wrench	Clé speciale	Spezialschlü ssel	Llave special
3	026.14.010.00.00	1		Attrezzo misura squish	Squish measuring tool	Outil de mesure du squish	Werkzeug für Quetschkante ausmessen	Herramienta para medir el squish
4	026.14.003.00.00	1		Staffa supporto motore	Engine support bracket	Bride support moteur	Motorsattelbefestigung	Brida soporte motor
5	026.14.005.50.00	1		Attrezzo bloccaggio volante	Holding Tool, Flywheel	Clé de fixation volant	Halteschlü ssel für Schwungrad	Llave para sostener el volante
6	36.25173.000	1		Estrattore volante	Flywheel extractor	Extracteur pour volant	Auszieher für Schwungrad	Extractor volante
7	36.25132.000	1		Attrezzatura Mont. Motore	Mounting Rack	Outils Montage Moteur	Montagebock	Aparejos Montaje Motor
8	026.44.029.00.00	1		Chiave speciale	Special wrench	Clé speciale	Spezialschlü ssel	Llave special
9	026.44.028.00.00	1		Chiave speciale	Special wrench	Clé speciale	Spezialschlü ssel	Llave special
10	007.44.035.00.00	1		Chiave speciale	Special wrench	Clé speciale	Spezialschlü ssel	Llave special

Tav.31



Tav.31

Pos Loc Pos Ps Pos	Numero Number Numéro Número Nummer	Q.tà Q.ty Q.té M.ge C.ad	Nota Note Note Nota Anm.	Descrizione	Description	Dé signation	Beschreibung	Descrìcion
1	036.31.000.80.50	1		Telaio completo	Frame, assy	Chassis complet	Rahmen, kpl	Bastidor compl.
2	12.99510.000	2		Cuscinetto conico 29x50x15	Conical bearing 29x50x15	Roulement conique 29x50x15	Lager 29x50x15	Cojinete conico 29x50x15
3	10.66935.000	1		Anello OR	O-Ring	Bague d'élasticité	O-Ring	Anillo OR
4	020.31.039.00.00	1		Anello parapolvere	Dust cover	Disque pare-poussière	Staubdeckel	Disco gurdapolvere
5	25.98782.000	1		Protezione cuscinetto	End Cap Bearing	Palier De Bielle	Lagerdeckel	Tapa Rodamiento
6	11.64607.000	2		Perno motore	Engine pin	Axe moteur	Motorbolzen	Perno motor
7	13.21060.000	2		Dado M10x1,25	Nut M10x1,25	Ecrou M10x1,25	Mutter M10x1,25	Tuerca M10x1,25
8	25.60311.000	4		Piastrina elastica M6	Spring plate M6	Plaquette élastique M6	Plättchen M6	Pletina elástica M6
9	28.85861.000	1		Serratura bloccasterzo	Security lock	Serrure blocage guidon	Lenkradschloss	Cerradura bloque manillar
10	11.48025.000	1		Vite M6x16 RSCH 8	Screw M6x16 RSCH 8	Vis M6x16 RSCH 8	Schraube M6x16 RSCH 8	Tornillo M6x16 RSCH 8
11	31.64018.000	2		Vite M8x10 UNI 7380 10.9	Screw M8x10 UNI 7380 10.9	Vis M8x10 UNI 7380 10.9	Schraube M8x10 UNI 7380 10.9	Tornillo M8x10 UNI 7380 10.9
17	11.54521.000	2		Bullone M8x16	Bolt M8x16	Boulon M8x16	Bolzen M8x16	Tornillo M8x16
18	27.49500.000	3		Rondella 8x18	Washer 8x18	Rondelle 8x18	U.Scheibe 8x18	Arandela 8x18
19	13.17123.000	1		Dado M8 flangiato	Nut M8	Ecrou M8	Mutter M8	Tuerca M8
20	036.31.017.80.00	2		Piastra collegamento	Connection plate	Plaque raccordement	Verbindungsplatte	Placa de union
22	11.55950.000	1		Vite M8x60	Screw M8x60	Vis M8x60	Schraube M8x60	Tornillo M8x60
23	25.25180.000	1		Passacavo	Grommet	Passe-câble	Kabeldurchgang	Pasacables
26	27.33741.000	2		Rivetto	Rivet	Rivet	Niete	Remache
27	27.40500.000	1		Rondella 6x13	Washer 6x13	Rondelle 6x13	U.Scheibe 6x13	Arandela 6x13

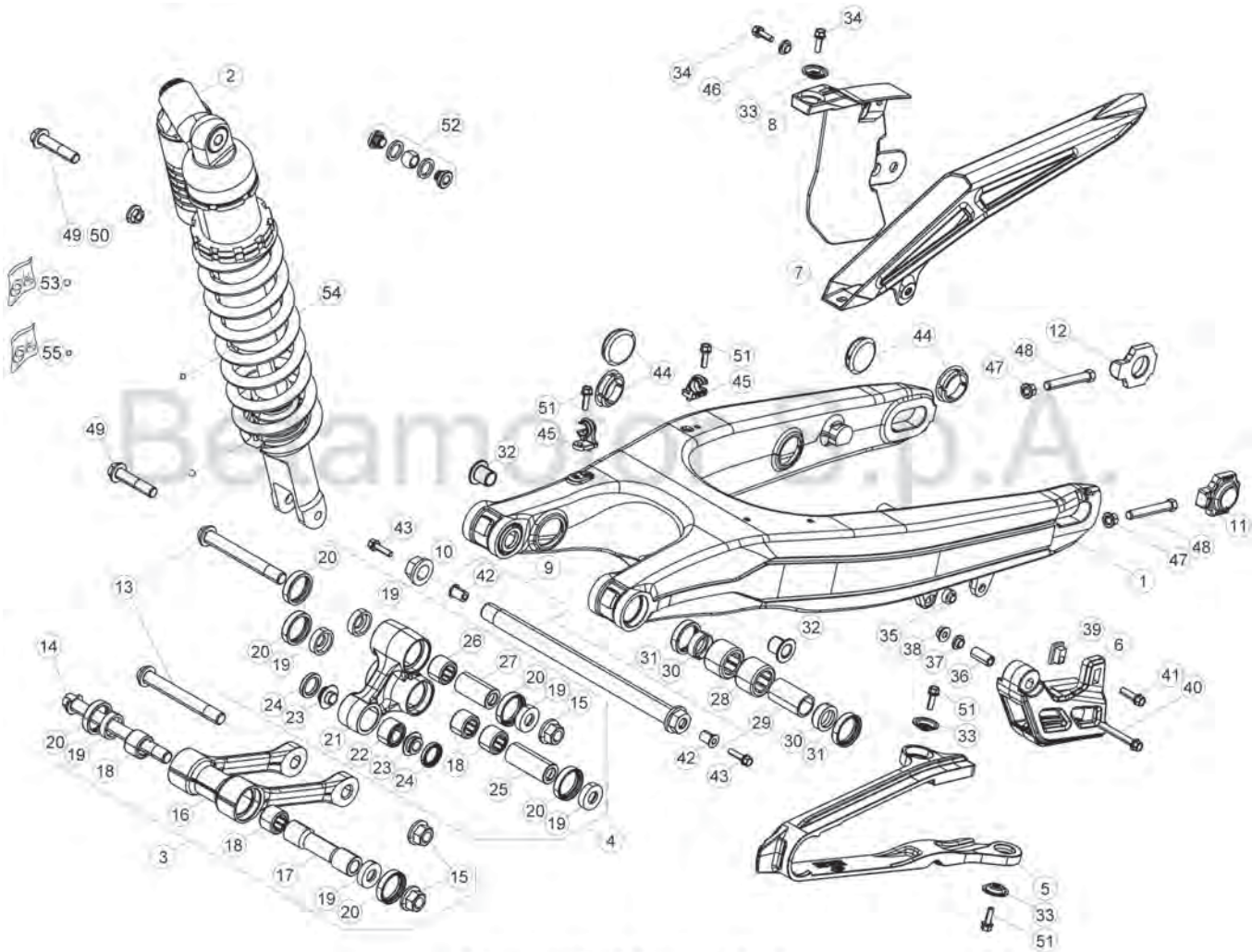


© Copyright 2016 Betamotor S.p.A.

Tav.32

Pos Loc Pos Ps Pos	Numero Number Numéro Número Nummer	Q.tà Q.ty Q.té M.ge C.ad	Nota Note Note Nota Anm.	Descrizione	Description	Dé signation	Beschreibung	Descrìciò n
1	036.32.000.82.59	1		Telaio posteriore	Rear frame	Châssis arrière	Hinterer kleiner Rahmen	Bastidor trasero
2	020.32.100.00.59	1		Braccetto destro	Right arm	Bras droit	Rechter Schutzblecharm	Brazo derecho
3	020.32.027.42.59	1		Attacco telaio posteriore sx	Rear LH frame fastening	Fixation châssis arrière gauche	Rahmen befestigung hinten links	Enganche bastidor trasero izq.
4	020.32.010.00.05	1		Piastra fissaggio serratura	Lock sec. Plate	Plaque fix. Serrure	Befestigungsplatte Schloß	Chapa fij. cerradura
5	020.32.112.00.00	1		Perno serratura	Pin	Pivot	Zapfen	Perno
6	020.32.011.00.05	1		Piastra ritegno serratura	Plate	Plaquette	Schild	Placa
7	020.32.013.80.00	1		Bottone	Knob	Bouton	Knopf	Boton
9	020.32.016.00.00	1		Molla	Spring	Ressort	Feder	Muelle
10	25.25601.000	1		Pattino catena	Chain shoe	Doigt chaîne	Gleitauflage	Patín cadena
11	25.32521.000	1		Pedana dx.	Foot-peg R.H.	Repose-pieds d.	Fußblech rechts	Estribo der.
12	25.32531.000	1		Pedana sx.	Foot-peg L.H.	Repose-pieds g.	Fußblech links	Estribo izq.
13	25.54465.000	2		Perno pedana	Footrest pin	Pivot repose-pied	Rasten Pin	Eje estribera
14	016.32.020.00.00	2		Molla pedanina	Foot rest spring	Ressort repose-pied	Fußblechfeder	Muelle estribo
15	031.32.001.00.00	2		Rondella 10x21x2	Washer 10x21x2	Rondelle 10x21x2	U.Scheibe 10x21x2	Arandela 10x21x2
16	12.81993.000	2		Copiglia 3x20	Split pin 3x20	Goupille 3x20	Splint 3x20	Grupilla 3x20
17	036.32.002.00.00	1		Piastra sotto motore	Engine catch plate	Plaque garde moteur	Motorschutz	Placa protección motor
18	27.23473.000	2		Raccordo per sfiato	Breather pipe	Raccord pour vidange	Entlüftungsrohranschluß	Racor para ventilación
20	11.49070.000	3		Bullone 6x20 ch rs	Bolt 6x20 ch rs	Boulon 6x20 ch rs	Bolzen 6x20 ch rs	Tornillo 6x20 ch rs
21	020.32.004.00.00	4		Boccola superiore	Upper bush	Douille supérieure	Obere Buchse	Casquillo superior
22	11.50355.000	4		Bullone M6x35	Bolt M6x35	Boulon M6x35	Bolzen M6x35	Tornillo M6x35
23	31.29810.000	2		Vite 5x12	Screw 5x12	Vis 5x12	Schraube 5x12	Tornillo 5x12
24	020.32.003.00.00	2		Boccola anteriore	Front bush	Douille avant	Vordere Buchse	Casquillo delantero
25	007.32.032.00.00	2		Vite speciale TSBEI	Special screw TSBEI	Vis spéciale TSBEI	Spezialschraube TSBEI	Tornillo especial TSBEI
				CH6 M8x20 10.9 zinc	CH6 M8x20 10.9 zinc	CH6 M8x20 10.9 zinc	CH6 M8x20 10.9 zinc	CH6 M8x20 10.9 zinc
26	31.64070.000	2		Vite flangiata 8x30	Flanged screw 8x30	Vis à brides 8x30	Flanschschraube 8x30	Tornillo rebordeado 8x30
27	25.60311.000	7		Piastrina elastica M6	Spring plate M6	Plaquette élastique M6	Plättchen M6	Pletina elástica M6
28	11.55480.000	1		Vite M8x40	Screw M8x40	Vis M8x40	Schraube M8x40	Tornillo M8x40
29	13.17020.000	1		Dado autoblocc. Basso M8	Nut M8	Ecrou M8	Mutter M8	Tuerca M8
30	031.32.070.00.00	1		Cavalletto	Central stand	Bé quille	Kippständer	Caballote
31	020.32.026.00.00	1		Molla cavalletto	Central stand spring	Ressort bé quille	Feder Kippständer	Muelle caballote
32	11.66615.000	1		Bullone spec. piastra cavalletto	Central stand special bolt	Boulon spec. plaque bé q.	Spezialschraube Kippständerplatte	Tornillo especial chapa caballote
33	11.66614.000	1		Bullone spec. cavalletto	Special bolt	Boulon spec.	Spezialschraube	Tornillo especial
34	25.57636.000	1		Piastrina aggancio molla	Bracket spring	Plaquette accroch. ressort	Plättchen federanlenkung	Placa eng. muelle
35	22.48819.000	1		Molla esterna	Spring	Ressort	Feder	Muelle
36	22.48818.000	1		Molla interna	Spring	Ressort	Feder	Muelle
37	15.14654.000	1		Fascetta	Clamp	Collier	Schelle	Abrazadera
39	25.24430.000	1		Passacavo adesivo	Adhesive grommet	Passe-câble adhesive	Kabeldurchgang	Pasacables adhesivo
41	28.91880.000	1		Silentbloc	Silentbloc	Silentbloc	Puffer	Silent-block
42	11.47015.000	1		Bullone 6x12 rs ch 8	Bolt 6x12 rs ch 8	Boulon 6x12 rs ch 8	Bolzen 6x12 rs ch 8	Tornillo 6x12 rs ch 8
43	27.42000.000	2		Rondella 6x18	Washer 6x18	Rondelle 6x18	U.Scheibe 6x18	Arandela 6x18

Tav.33

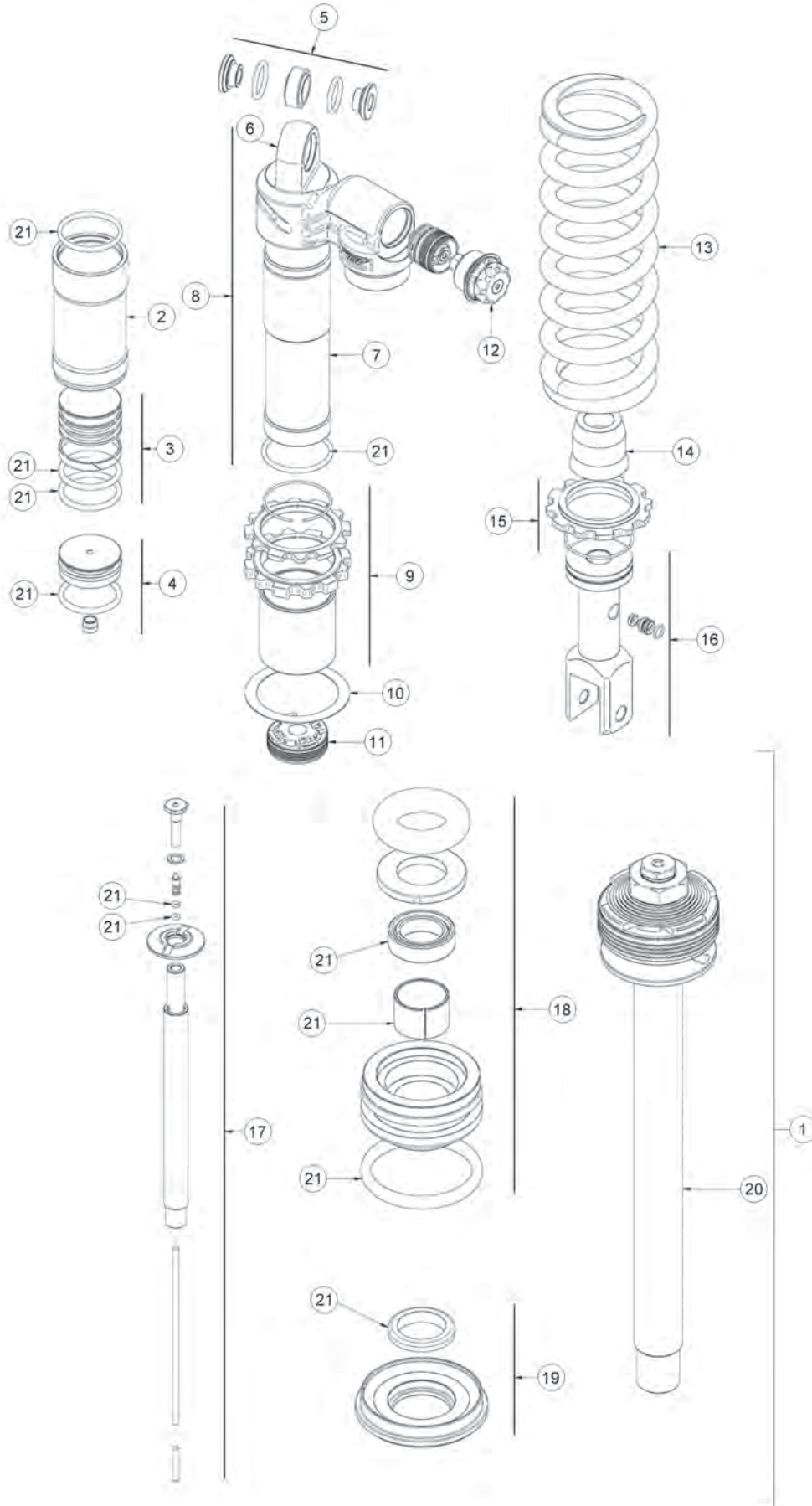


© Copyright 2017 Betamotor S.p.A.

Tav.33

Pos Loc Pos Ps Pos	Numero Number Número Nummer	Q.tà Q.ty Q.té M.ge C.ad	Nota Note Nota Anm.	Descrizione	Description	Dé signation	Beschreibung	Descrpiò n
1	031.33.019.00.59	1		Forcellone	Big fork	Fourche	Radschwinge	Horquilla
2	036.33.002.80.00	1		Ammortizzatore completo	Shock absorber assembly	Amortisseur complet	Stoßdämpfer komplett	Amortiguador completo
3	020.33.030.80.00	1		Bielletta	Connecting rod	Biellette	Bolzensange	Bieleta
4	020.33.020.80.00	1		Bilanciere	Lever	Balancier	Kipphebel	Balancin
5	020.33.015.00.00	1		Tassello guidacatena super.	Upper sliding block	Cheville guide de chaine sup.	Schwingschleifklotz oben	Protector catena superior
6	29.10071.000	1		Tassello guidacatena infer.	Lower sliding block	Cheville guide de chaine inf.	Schwingschleifklotz unten	Protector catena inferior
7	12.88591.159	1		Copricatena superiore	Up. Chain cover	Couvre-chaine superieur	Kettenschutz oben	Cubrecadena superior
8	12.88594.159	1		Copricatena inferiore	Lower chain cover	Couvre-chaine inferieur	Kettenschutz unten	Cubrecadena inferior
9	031.33.142.80.00	1		Perno forcellone	Swingarm pivot	Axe fourche AR.	Schwingenbolzen	Eje basculante
10	13.27121.000	1		Dado speciale	Special nut	Ecrou spéciale	Spezialmutter	Tuerca especial
11	29.11866.100	1		Tendicatena SX	Chain adjuster L.	Tendeur de chaine G.	Kettenspanne L.	Tensor de cadena I.
12	29.11865.100	1		Tendicatena DX	Chain adjuster R.	Tendeur de chaine D.	Kettenspanner R.	Tensor de cadena D.
13	11.63992.000	2		Vite speciale M12	Special screw M12	Vis spéciale M12	Spezialschraube M12	Tornillo especial M12
14	020.33.032.00.00	1		Vite speciale M12	Special screw M12	Vis spéciale M12	Spezialschraube M12	Tornillo especial M12
15	13.21130.000	3		Dado autobloccante M12	Self locking nut M12	Ecrou de sécurité M12	Mutter, selbstsichernd M12	Tuerca de seguridad M12
16	020.33.030.00.00	1		Bielletta	Connecting rod	Biellette	Bolzensange	Bieleta
17	020.33.031.00.00	1		Distanziale	Spacer	Entretoise	Distanzstück	Distanciador
18	11.22055.000	4		Boccola a rulli 20x26x16	Roller bearing 20x26x16	Douille à roulements 20x26x16	Rollenbuchse 20x26x16	Caja de grasa de rodillos 20x26x16
19	28.14083.000	6		Scodellino	Stop washer	Rondelle d ar	Federaufnahme	Platillo
20	10.64481.000	6		Paraolio	Oil seal	Pare-huile	Dichtring	Sello de lub.
21	020.33.020.00.00	1		Bilanciere	Lever	Balancier	Kipphebel	Balancin
22	16.17310.000	1		Boccola a rulli 12x24x30	Roller bearing 12x24x30	Douille à roulements 12x24x30	Rollenbuchse 12x24x30	Caja de grasa de rodillos 12x24x30
23	11.21920.000	2		Boccola	Bush	Moyeu	Büchse	Buje
24	10.56020.000	2		Paraolio 16x24x4	Oil seal 16x24x4	Pare-huile 16x24x4	Dichtring 16x24x4	Sello de lub. 16x24x4
25	13.62813.000	1		Distanziale 12x20x50	Spacer 12x20x50	Entretoise 12x20x50	Distanzstück 12x20x50	Distanciador 12x20x50
26	11.22061.000	1		Boccola a rulli 20x26x30	Roller bearing 20x26x30	Douille à roulements 20x26x30	Rollenbuchse 20x26x30	Caja de grasa de rodillos 20x26x30
27	13.62812.000	1		Distanziale 12x20x40	Spacer 12x20x40	Entretoise 12x20x40	Distanzstück 12x20x40	Distanciador 12x20x40
28	11.22056.000	4		Boccola a rullini 22x28x12	Roller cage 22x28x12	Cage Aiguille 22x28x12	Rollenkäfig 22x28x12	Jaula rodillos 22x28x12
29	13.49183.000	2		Distanziale forcellone	Big fork spacer	Entretoise fourche	Distanzstück Radschwinge	Distanciador horquilla
30	28.14081.000	4		Scodellino	Stop washer	Rondelle d ar	Federaufnahme	Platillo
31	10.64481.000	4		Paraolio	Oil seal	Pare-huile	Dichtring	Sello de lub.
32	020.33.001.00.00	2		Boccola	Bush	Moyeu	Büchse	Buje
33	27.74786.000	3		Rondella bombata	Kasher	Rondelle	Scheibe	Arandela
34	11.46360.000	2		Bullone flangiato M5x16	Head Flanged bolt M5x16	Boulon Bridé M5x16	Bundbolzen M5x16	Bulón con Brida M5x16
35	13.12610.000	1		Dado	Nut	Ecrou	Mutter	Tuerca
36	13.49191.000	1		Distanziale	Spacer	Entretoise	Distanzstück	Distanciador
37	13.54820.000	1		Distanziale 6,5x9,0x13,5	Spacer 6,5x9,0x13,5	Entretoise 6,5x9,0x13,5	Distanzstück 6,5x9,0x13,5	Distanciador 6,5x9,0x13,5
38	13.13020.000	1		Dado autobloccante M6	Self locking nut M6	Ecrou de sécurité M6	Mutter, selbstsichernd M6	Tuerca de seguridad M6
39	13.48868.000	1		Distanziale tassello guidacatena	Sliding block spacer	Entretoise cheville guide de chaine	Abstandstück Schwingschleifklotz	Separador protector cadena/basculante
40	11.05535.000	1		Bullone 6.50 rs ch 8	Bolt 6.50 rs ch 8	Boulon 6.50 rs ch 8	Bolzen 6.50 rs ch 8	Tornillo 6.50 rs ch 8
41	11.49070.000	1		Bullone 6x20 ch rs	Bolt 6x20 ch rs	Boulon 6x20 ch rs	Bolzen 6x20 ch rs	Tornillo 6x20 ch rs
42	27.33740.000	2		Rivetto filettato M6	Threaded rivet M6	Rivet fileté M6	Niete mit gewinde M6	Remache roscado M6
43	11.46401.000	2		Bullone M5x20	Bolt M5x20	Boulon M5x20	Bolzen M5x20	Tornillo M5x20
44	29.10596.136	4		Tappo forcellone D30	Big fork plug D30	Bouchon fourche D30	Radschwinge verschluß D30	Tapón horquilla D30
45	15.14605.000	2		Passatubo	Grommet	Passe-tube	Rohrdurchgang	Pasa-tubo
46	13.54820.000	1		Distanziale 6,5x9,0x13,5	Spacer 6,5x9,0x13,5	Entretoise 6,5x9,0x13,5	Distanzstück 6,5x9,0x13,5	Distanciador 6,5x9,0x13,5
47	13.17122.000	2		Dado speciale M8 CH13	Special nut M8 CH13	Ecrou spéciale M8 CH13	Spezialmutter M8 CH13	Tuerca especial M8 CH13
48	11.55909.000	2		Bullone M8x55	Bolt M8x55	Boulon M8x55	Bolzen M8x55	Tornillo M8x55
49	11.62050.000	2		Bullone fiss. ammortizzatore M10x45	Damper sec. bolt M10x45	Boulon fix. amortisseur M10x45	Befestigungsbolzen M10x45	Tornillo fij amortiguador M10x45
50	13.21060.000	1		Dado flangiato M10x1,25 CH14	Flanged nut M10x1,25 CH14	Ecrou bordé M10x1,25 CH14	Flanschmutter M10x1,25 CH14	Tuerca embreada M10x1,25 CH14
51	11.46251.000	4		Bullone flangiato M5x12	Head flanged bolt M5x12	Boulon Bridé M5x12	Bundbolzen M5x12	Bulón con Brida M5x12
52	036.33.013.00.00	1		Gruppo snodo	Ball joint assy	Groupe joint a rotule	Kugelgelenkgruppe Kpl.	Grupo articulación esférica
53	036.33.023.00.00	1		Gruppo piattello e seeger	Plate and circlip kit	Groupe disque et sirclip	Platte mit seeger	Grupo platillo y seeger
54	036.33.021.00.00	1		Molla	Spring	Ressort	Feder	Muelle
55	036.33.027.00.00	1		Gruppo raschiapolvere	Dust scraper kit	Groupe griffe poussiere	Gruppe Staubabstreifer	Grupo esc. Polvo

Tav.33A

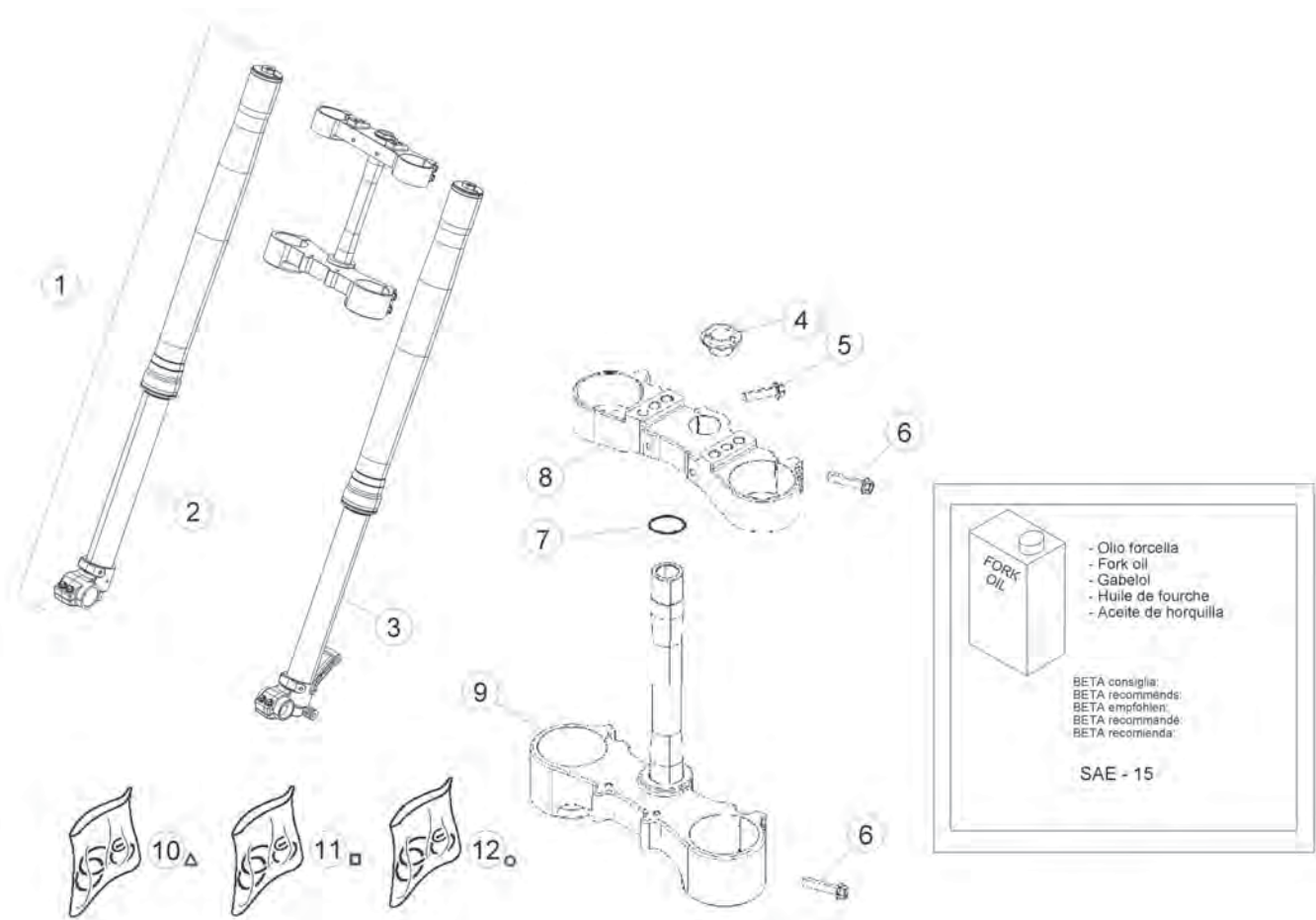


Tav.33A

Pos Loc Pos Ps Pos	Numero Number Número Nummer	Q.tà Q.ty Q.té M.ge C.ad	Nota Note Note Nota Anm.	Descrizione	Description	Désignation	Beschreibung	Descripción
1	036.33.002.80.00	1		Ammortizzatore completo	Shock absorber assembly	Amortisseur complet	Stoßdämpfer komplett	Amortiguador completo
2	036.33.010.00.00	1		Serbatoio ammortizzatore	Shock absorber tank	Réervoir de l' amortisseur	Gasbehälter für Stoßdämpfer	Depósito amortiguador
3	036.33.011.00.00	1		Gruppo diaframma	Diaphragm assy	Groupe diaphragme	Biegeplattegruppe	Grupo diafragma
4	036.33.012.00.00	1		Gruppo tappo ammortizzatore	Shock-absorber plug assy.	Groupe bouchon amortisseur	Verschlussgruppe Kpl.	Grupo tapón amortiguador
5	036.33.013.00.00	1		Gruppo snodo	Ball joint assy	Groupe joint a rotule	Kugelgelenkgruppe Kpl.	Grupo articulación esférica
6	036.33.014.00.00	1		Basetta	Bracket	Support	Halter	Soporte
7	036.33.015.00.00	1		Corpo	Body	Corps	Steckdose	Cuerpo
8	036.33.016.00.00	1		Gruppo corpo	Damper case assy	Groupe corps amortisseur	Stoßdämpferkörper Kpl.	Corpo amortiguador compl.
9	036.33.017.00.00	1		Gruppo ghiera	Ring nuts	Douilles	Gewinderingen	Casquillos
10	036.33.018.00.00	1		Rosetta per molla	Washer	Rondelle	Scheibe	Arandela
11	036.33.019.00.00	1		Pistone	Piston	Piston	Kolben	Pistón
12	036.33.020.00.00	1		Gruppo regolazione compressione	Compression adjusting unit	Groupe ré gul. Compression	Druckstufengruppe	Grupo ajuste compresión
13	036.33.021.00.00	1		Molla	Spring	Ressort	Feder	Muelle
14	036.33.022.00.00	1		Tampone	Buffer	Silentbloc	Puffer	Silent-block
15	036.33.023.00.00	1		Gruppo piattello e seeger	Plate and circlip kit	Groupe disque et sirclip	Platte mit seeger	Grupo platillo y seeger
16	036.33.024.00.00	1		Gruppo forchetta ammortizz.	Shock absorber inf. Connection	Fixation inférieure amortisseur	Untere befestigung stossdämpfer	Fijador inferior amortiguador
17	036.33.025.00.00	1		Gruppo stelo	Rod assy	Groupe tige	Pumpenstuckgruppe	Grupo espiga
18	036.33.026.00.00	1		Gruppo guidastelo	Guide rod assy.	Groupe guide tige	Pumpenstückführungsgruppe	Grupo guja espiga
19	036.33.027.00.00	1		Gruppo raschiapolvere	Dust scraper kit	Groupe griffe poussière	Gruppe Staubabstreifer	Grupo esc. Polvo
20	036.33.028.00.00	1		Stelo completo	Operating rod, assy.	Tige compl.	Kolbenstange, kompl.	Varilla completa
21	036.33.029.00.00	1		Gruppo guarnizioni	Gasket set	Groupe garnitures	Dichtungssatz	Grupo juntas



Tav.34

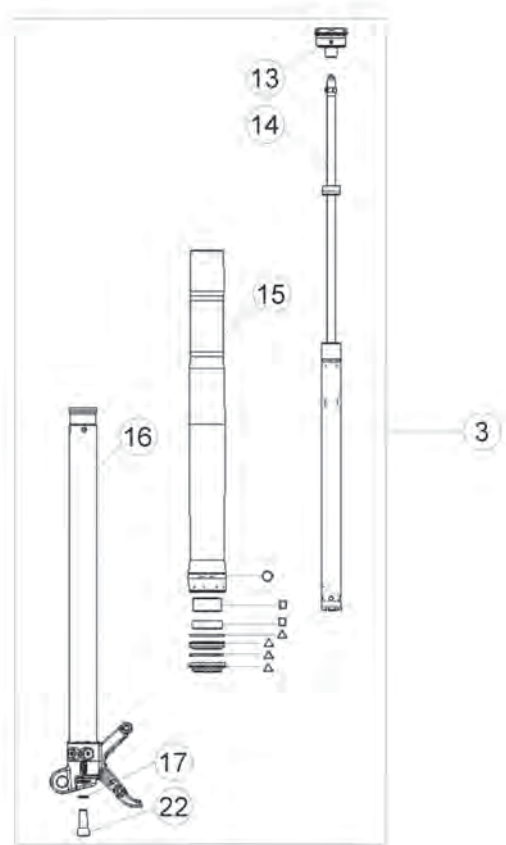
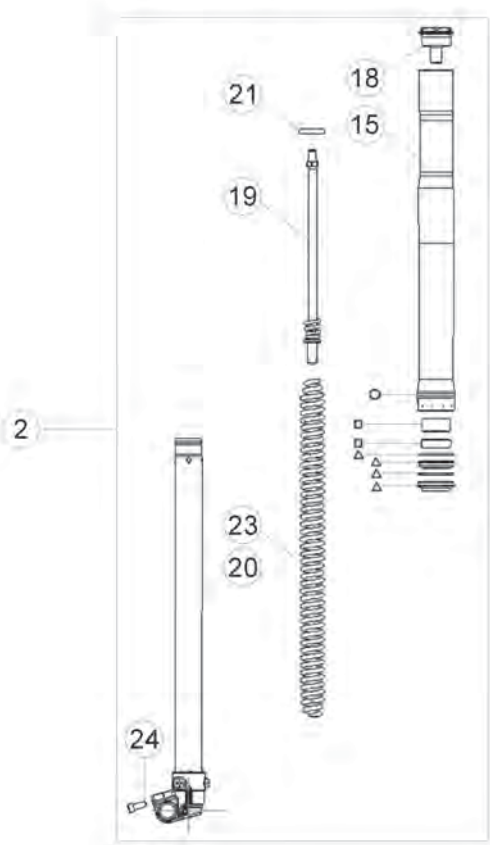




- Olio forcella
- Fork oil
- Gabelöl
- Huile de fourche
- Aceite de horquilla

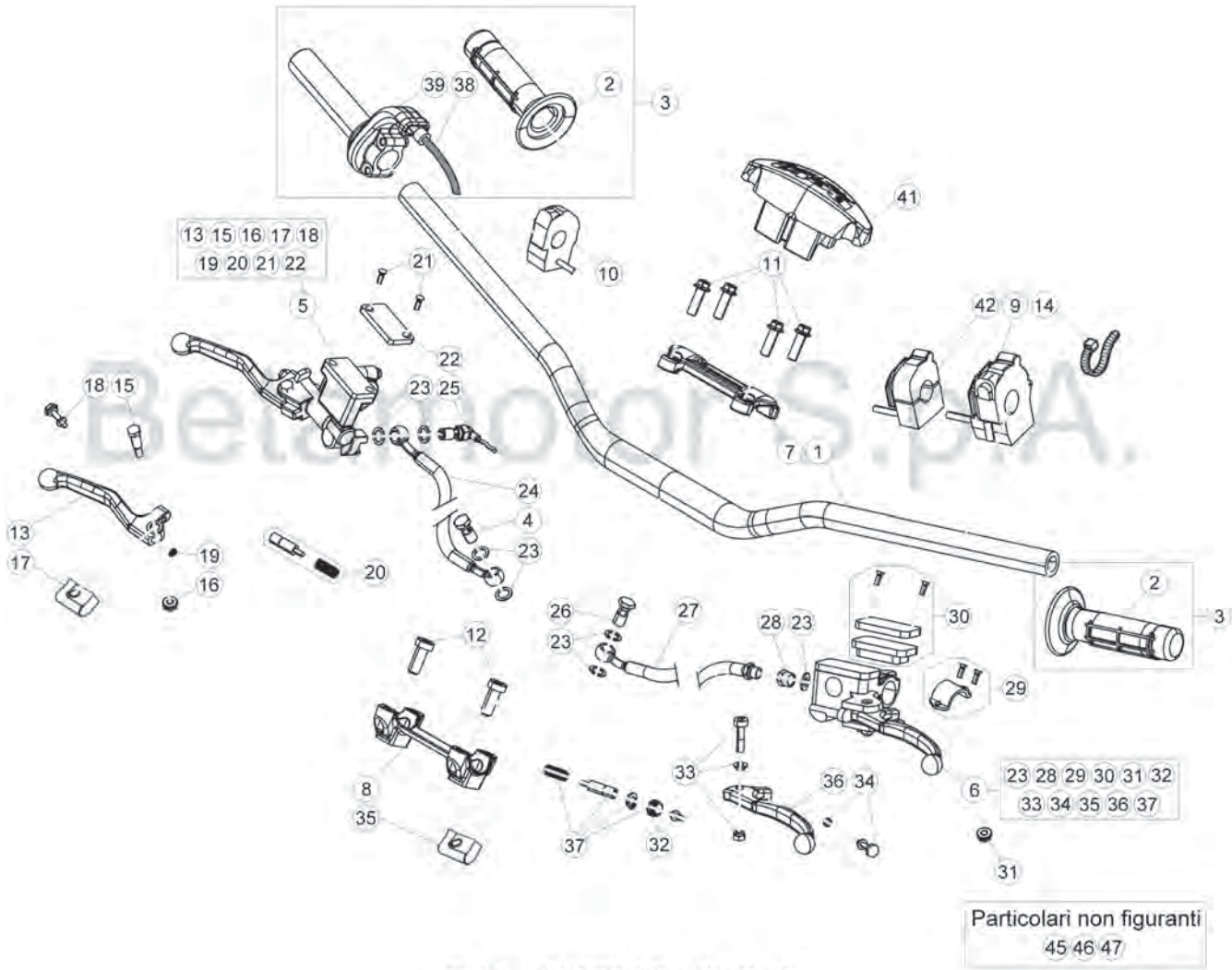
BETA consiglia:
 BETA recommends:
 BETA empfiehlt:
 BETA recommande:
 BETA recomienda:

SAE - 15



Tav.34

Pos Loc Pos Ps Pos	Numero Number Numéro Número Nummer	Q.tà Q.ty Q.té M.ge C.ad	Nota Note Note Nota Anm.	Descrizione	Description	Dé signation	Beschreibung	Descriscìo n
1	036.34.042.82.00	1		Forcella completa	Stirrup assy.	Fourchette compl.	Schaltgabel, Kompl.	Horquilla compl.
2	036.34.003.80.00	1		Gamba DX.	R.H. leg	Tube D.	Beineinheit R.	Pata der.
3	036.34.032.80.00	1		Gamba SX.	L.H. leg	Tube G.	Beineinheit L.	Pata izq.
4	020.34.004.00.00	1		Dado 20X1,5	Nut 20X1,5	Ecrou 20X1,5	Mutter 20X1,5	Tuerca 20X1,5
5	11.55440.000	1		Bullone 8x30 ch10 rs	Bolt 8x30 ch10 rs	Boulon 8x30 ch10 rs	Bolzen 8x30 ch10 rs	Tornillo 8x30 ch10 rs
6	11.55510.000	8		Bullone M8x40	Bolt M8x40	Boulon M8x40	Bolzen M8x40	Tornillo M8x40
7	10.66420.000	1		Anello OR 20,22,3,53 NBR	O-Ring 20,22,3,53 NBR	Bague d é tanché ité 20,22,3,53 NBR	O-Ring 20,22,3,53 NBR	Anillo OR 20,22,3,53 NBR
8	036.34.033.42.59	1		Piastra di sterzo superiore	Steering head	Tête de direction	Gabelkopf	Tija superior
9	036.34.034.82.59	1		Piastra di sterzo inferiore	Steering crown with pin	Socle de direction avec pivot	Untere Gabelbrücke mit Bolzen	Base de direcció n con perno
10	036.34.007.82.00	1		Kit tenuta olio forcelle	Fork oil seal kit	Kit joints d é tanché ité	Dichtungskit	Kit estainquedad
11	036.34.011.82.00	1		Kit boccole	Bush kit	Kit douilles	Buchsenkit	Kit manguitos
12	036.34.015.82.00	1		Kit anelli	Rings kit	Kit joints	Dichtungenkit	Kit anillos
13	036.34.017.00.00	1		Tappo sx. forcella	L.H. fork cap	Bouchon G. fourche	Verschluß Gabel l.	Tapó n horquilla izq.
14	036.34.018.00.00	1		Cartuccia idraulica forcella	Hydraulic fork spares	Cartouche hydraulique	Hydraulischer Gabeldaempfer	Cartucho hidraulico horquilla
15	036.34.019.00.00	2		Fodero	Sleeve	Protection	Schutzstück	Protecció n
16	036.34.020.00.00	1		Stelo Sx. compl.	L.H. slider assy	Montant G. compl.	Bein, Kpl. L.	Deslizable izrda. compl.
17	C19.43.007.00.00	1		Rondella in rame 12.17.1,5	Copper washer 12.17.1,5	Rondelle en cuivre 12.17.1,5	U.Scheibe 12.17.1,5 Kupfer	Arandela 12.17.1,5 (cobre)
18	036.34.022.00.00	1		Tappo dx. forcella	R.H. fork cap	Bouchon D. fourche	Verschluß Gabel r.	Tapó n horquilla der.
19	036.34.023.00.00	1		Perno	Fork	Fourche	Stift	Perno
20	036.34.024.00.00	1		Stelo Dx. compl.	R.H. slider assy	Montant D. compl.	Bein, Kpl. R.	Deslizable der. compl.
21	036.34.025.00.00	1		Tappo	Cap	Bouchon	Verschluß	Tapó n
22	C24.24.046.00.00	1		Vite TCCE M12X30	Screw TCCE M12X30	Vis TCCE M12X30	Schraube TCCE M12X30	Tornillo TCCE M12X30
23	036.34.021.00.00	1		Molla forcella	Fork spring	Ressort fourche	Gabelfeder	Muelle horquilla
24	31.63890.000	1		Vite TCCE M8X20	Screw TCCE M8X20	Vis TCCE M8X20	Schraube TCCE M8X20	Tornillo TCCE M8X20




© Copyright 2017 Betamotor S.p.A.

Tav.35

Pos Loc Pos Ps Pos	Numero Number Numéro Número Nummer	Q.tà Q.ty Q.té M.ge C.ad	Nota Note Note Nota Anm.	Descrizione	Description	Dé signation	Beschreibung	Descrìciò n
1	22.20391.000	1		Manubrio	Handlebars	Guidon	Lenker	Manillar
2	036.35.005.00.00	1		Coppia manopole	Grips (couple)	Poignées (couple)	Handgriffpaar	Manecilla (juego)
3	036.35.004.80.00	1		Comando gas completo	Throttle control compl.	Commande gaz compl.	Gasgriff kpl.	Accionamiento acelerador co
4	11.65053.000	1		Bullone forato 10x1,25	Pierced bolt 10x1,25	Boulon avec trou 10x1,25	Bolzen 10x1,25	Tornillo 10x1,25
5	21.02057.059	1		Leva freno ant.	Fr. br. lever	Lev. fr. AV.	Vorderradbremshebel	Pal. fr. del.
6	020.35.020.00.00	1		Leva comando frizione	Clutch control lever	Levier de commande embrayage	Kupplungshebel	Palanca mando embrague
7	12.08253.000	1		Cavallotto superiore	Upper u bolt	Etrier sup.	Obere Brücke	Brida sup.
8	12.08263.000	1		Cavallotto inferiore	Lower u bolt	Etrier inférieure	Untere Brücke	Brida inferior
9	016.35.010.00.00	1		Commutatore luci	Lights switch	Commutateur feux	Lichtschalter	Commutador luces
10	026.40.047.00.00	1		Dispositivo ON-OFF	ON-OFF device	Dispositif ON-OFF	Vorrichtung ON-OFF	Dispositivo ON-OFF
11	31.64070.000	4		Vite flangiata 8x30	Flanged screw 8x30	Vis à brides 8x30	Flanschschraube 8x30	Tornillo rebordeado 8x30
12	31.65626.000	2		Vite a brugola M10 25	Allen screw M10 25	Vis à 6 pans M10 25	Sechskantschraube M10 25	Tornillo a llave allen M10 25
13	21.27104.000	1		Leva freno	Brake lever	Levier du frein	Bremshebel	Palanca de freno
14	15.14264.000	3		Fascetta	Clamp	Collier	Schelle	Abrazadera
15	31.96832.000	1		Perno leva freno	Brake lever pin	Goujon levier frein	Bremshebelstift	Perno leva freno
16	13.30911.000	1		Dado	Nut	Ecrou	Mutter	Tuerca
17	16.33841.000	1		Coprileva	Lever cover	Couvre levier	Hebeldeckel	Cubre-palanca
18	31.88604.000	1		Vite regol. leva	Adjusting screw	Vis réglage	Einstellschrauben	Tornillo reg.
19	22.38704.000	1		Molla registro leva freno ant.	Front brake lever adjust spring	Ressort enregistrement levier	Regelfeder vorderradbremse	Muelle regul. bomba freno
20	20.08258.000	1		Pistoncino completo pompa	Piston Assy, pump	Piston compl. pompe	Kolben kpl. Pumpe	Piston completo bomba
21	31.23410.052	2		Vite fiss. coperchio	Cover sec. screw	Vis de fix. couvercle	Schraube	Tornillo
22	031.36.003.82.00	1		Coperchio serbatoio olio	Oil filler cover	Couvercle réservoir huile	Ölverschlußdeckel	Tapa depósito aceite
23	16.50510.000	7		Guarnizione 10x15x1 in rame	Gasket 10x15x1 copper	Joint 10x15x1 cuivre	Dichtung 10x15x1 Kupfer	Junta 10.15.1 (cobre)
24	29.09108.000	1		Tubo Freno Ant.	Front brake tube	Tuyau du frein AV.	Vordere Bremsleitung	Tubo freno delantero
25	18.89621.000	1		Interruttore stop	Stop switch	Interrupteur stop	Stopschalter	Interruptor stop
26	11.65040.000	1		Bullone forato 10x1 x tubo freno	Special bolt	Boulon 10x1 x tube frein	Hohlschraube F.Bremse	Tornillo esp. talad.10.1
27	036.35.001.00.00	1		Tubo frizione	Clutch tube	Canalisation embrague	Kupplungsrohr	Tubo embrague
28	020.35.032.00.00	1		Raccordo	Joint.p.	Raccord	Stutzen	Racor
29	020.35.025.00.00	1		Cavallotto	U bolt	Etrier	Brücke	Brida
30	020.35.023.00.00	1		Tappo serbatoio pompa	Master cyl. tank plug	Bouchon réservoir maître cylindre	Behälterverschluß Hauptbremszylinder	Tapón depósito bomba freno
31	020.35.028.00.00	1		Antiemulsione	Antiemulsion	Antiemulsion	Eulsionswidriger	Antiemulsion
32	020.35.029.00.00	1		Puntalino leva pompa	Push piece	Pièce de pression	Druckstück	Varilla de presión
33	020.35.024.00.00	1		Perno leva	Lever pin	Goujon levier	Hebelstift	Perno palanca
34	020.35.030.00.00	1		Guidamolla	Spring guide	Guide ressort	Federführung	Guia resorte
35	020.35.027.00.00	1		Gomma protezione leva	Lever protection grommet	Caoutchouc protection levier	Gummi Hebelerschutz	Goma protección palanca
36	020.35.022.00.00	1		Leva frizione nuda	Clutch lever, only	Levier d'embrayage nue	Kupplungshebel	Palanca embrague
37	020.35.026.00.00	1		Kit pistoncino pompa	Piston kit master cyl.	Kit piston. maître cyl.	Kolbensatz hauptbremszylinder	Kit pistón bomba
38	036.35.002.00.00	1		Cavo comando gas	Throttle cable transmission	Transmission commande gaz	Bowdenzüg gasgriff	Transmisión mando gas
39	026.35.010.00.00	1		Comando gas	Throttle control	Commande gaz	Gasdrehgriff	Mando gas
41	031.35.001.00.00	1		Protezione manubrio	Handlebar protection	Protection guidon	Lenkerschutz	Protección manillar
42	036.40.012.00.00	1		Dispositivo switch mappa CDI	Switch for double map CDI	Selecteur mappe CDI	Mappingschalter CDI	Commutador para cambiar el
45	12.30100.000	1	EU	Cavallotto leva freno c/attacco specchio	Brake lever U-bolt w/mirror fastening	Etrier levier du frein avec fixation retroviseur	Brücke Bremshebel mit Befestigung für Rückblickspiegel	Brida palanca freno con anclaje espejo
46	28.92927.000	1	EU	Specchio retrovisore dx.	R.H. rear mirror	Rétroviseur dr.	Rückspiegel R.	Retrorvisor der.
47	031.35.008.00.00	1	EU	Specchio retrovisore sx.	L.H. rear mirror	Rétroviseur ga.	Rückspiegel L.	Retrorvisor izq.

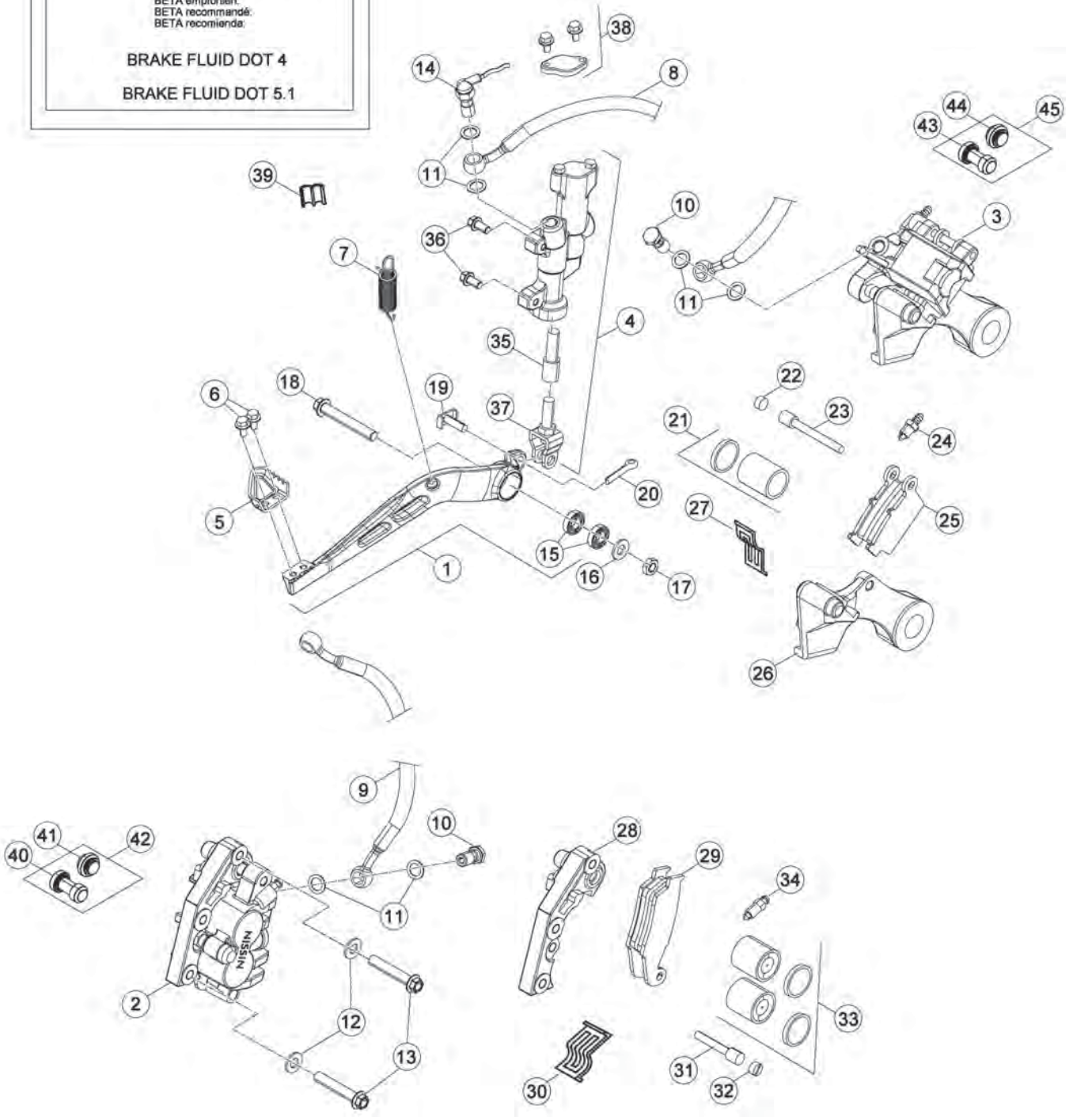
Tav.36



- Olio freni
 - Brake fluid
 - Bremsflüssigkeit
 - Liquide de frein
 - El liquido de frenos

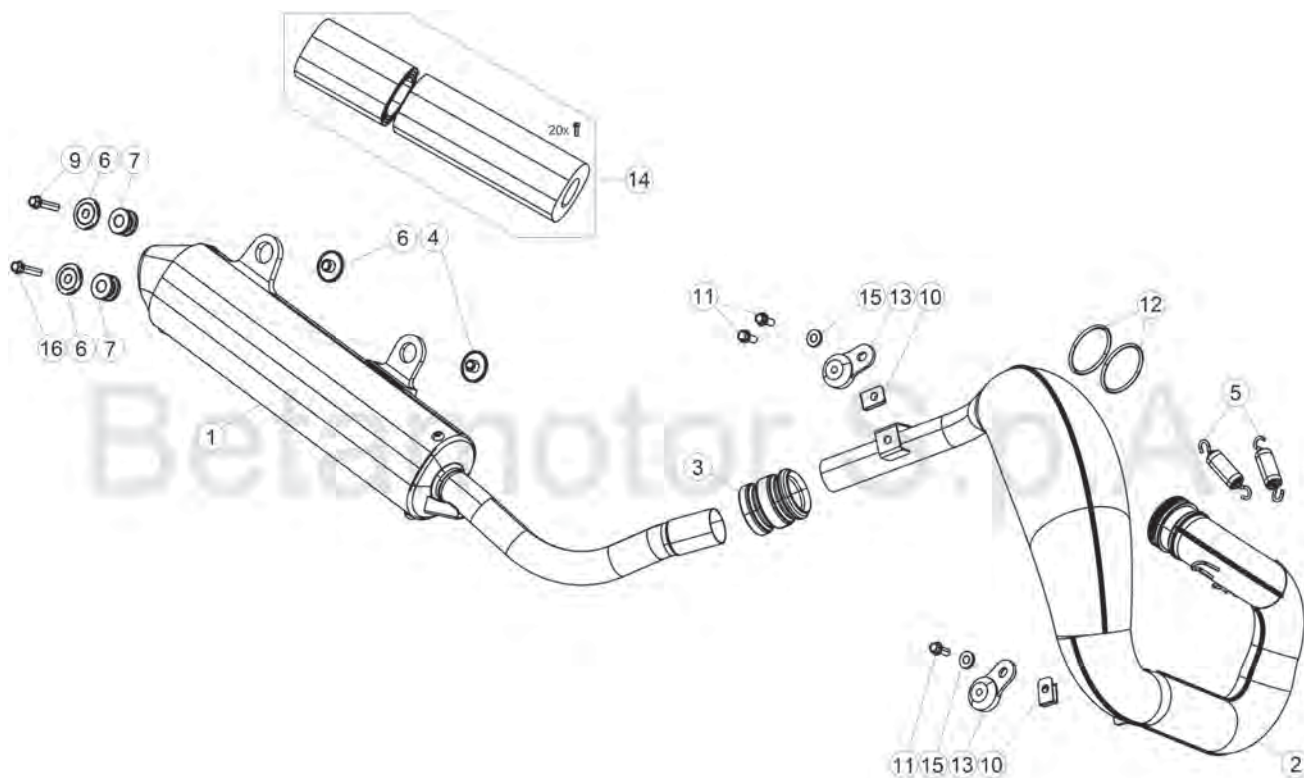
BETA consiglia:
 BETA recommends:
 BETA empfiehlt:
 BETA recommande:
 BETA recomienda:

BRAKE FLUID DOT 4
BRAKE FLUID DOT 5.1



Tav.36

Pos Loc Pos Ps Pos	Numero Number Numéro Número Nummer	Q.tà Q.ty Q.té M.ge C.ad	Nota Note Note Nota Anm.	Descrizione	Description	Dé signation	Beschreibung	Descriscìo n
1	020.36.001.80.00	1		Pedale freno	Brake pedal	Pé dale frein	Fussbremspedal	Pedal freno
2	25.03056.000	1		Pinza freno anteriore	Front disk brake caliper	Etrier de frein AV.	Bremszange-Scheibe	Pinza freno del.
3	25.03066.000	1		Pinza freno posteriore	Rear disk brake caliper	Etrier de frein AR.	Bremszange	Pinza del freno tras.
4	25.91178.000	1		Pompa freno posteriore	Rear brake cylinder	Maî tre cylindre frein ar.	Hauptbremszylinder Hinterradbremse	Bomba freno trasero
5	22.90053.000	1		Mozzetto	Hub	Moyeu	Nabe	Cubo
6	11.46251.000	2		Bullone flangiato M5x12	Head Flanged bolt M5x12	Boulon Bridé M5x12	Bundbolzen M5x12	Bulón con Brida M5x12
7	22.48813.000	1		Molla ritorno pedale freno	Return brake pedal spring	Ressort de retour frein	Bremspedal Feder	Muelle retorno palanca freno
8	29.09428.000	1		Tubo Freno Posteriore	Rear brake tube	Tuyau du frein AR.	Hintere Bremsleitung	Tubo freno trasero
9	29.09108.000	1		Tubo Freno Ant.	Front brake tube	Tuyau du frein AV.	Vordere Bremsleitung	Tubo freno delantero
10	11.65053.000	2		Bullone forato 10x1,25	Pierced bolt 10x1,25	Boulon avec trou 10x1,25	Bolzen 10x1,25	Tornillo 10x1,25
11	16.50510.000	6		Guarnizione 10x15x1 in rame	Gasket 10x15x1 copper	Joint 10x15x1 cuivre	Dichtung 10x15x1 Kupfer	Junta 10.15.1 (cobre)
12	27.49500.000	2		Rondella 8x18	Washer 8x18	Rondelle 8x18	U.Scheibe 8x18	Arandela 8x18
13	11.55690.000	2		Bullone M8x45 ch10 rs	Bolt M8x45 ch10 rs	Boulon M8x45 ch10 rs	Bolzen M8x45 ch10 rs	Tornillo M8x45 ch10 rs
14	18.89621.000	1		Interruttore stop	Stop switch	Interrupteur stop	Stopschalter	Interruptor stop
15	12.93388.000	2		Cuscinetto 8x22x7	Bearing 8x22x7	Roulement 8x22x7	Lager 8x22x7	Cojinete 8x22x7
16	27.49500.000	1		Rondella 8x18	Washer 8x18	Rondelle 8x18	U.Scheibe 8x18	Arandela 8x18
17	13.17020.000	1		Dado autoblocc. Basso M8	Nut M8	Ecrou M8	Mutter M8	Tuerca M8
18	11.55909.000	1		Bullone M8x55	Bolt M8x55	Boulon M8x55	Bolzen M8x55	Tornillo M8x55
19	25.41830.000	1		Forcellino	Clip	Ressort	Fixiergabel	Horquilla
20	12.81995.000	1		Copiglia 2x15	Split pin 2x15	Goupille 2x15	Splint 2x15	Grupilla 2x15
21	20.02717.000	1		Kit pistoncini e guarniz. Pinza	Piston e oil seal for pliers	Jeu petit pistons et joint pince	Reparatursatz Bremszange	Juego piston y guarnición pinza
22	31.96821.000	1		Grano	Dowel	Goujon	Stift	Clavija
23	25.41860.000	1		Perno ancoraggio pastiglia	Pin hanger	Pivot ancrage	Halter brehsbelage	Varilla esp. Pastillas pinzas
24	28.91002.000	1		Sfiato	Breather	Reniflard	Entlüfter	Respiradero
25	25.25362.000	1		Pastiglie freno post.	Rear brake pads	Pastill. de freins AR.	Hinterbremsbelag	Pastillas frenos tras.
26	020.36.011.00.00	1		Staffa supporto pinza	Caliper support bracket	Bride support étrier	Bremssattelbefestigung	Brida soporte pinza
27	22.32208.000	1		Molla ferma pastiglie pinza	Brake pads spring for pliers	Ressort arret plaquettes	Haltefeder	Muelle pastillas pinza
28	020.36.012.00.00	1		Staffa supporto pinza	Caliper support bracket	Bride support étrier	Bremssattelbefestigung	Brida soporte pinza
29	25.25361.000	1		Pastiglie freno ant.	Front brake pads	Pastill. de freins AV.	Vorderbremsbelag	Pastillas frenos del.
30	22.32207.000	1		Molla ferma pastiglie pinza	Brake pads spring for pliers	Ressort arret plaquettes	Haltefeder	Muelle pastillas pinza
31	25.41859.000	1		Perno ancoraggio pastiglia	Pin hanger	Pivot ancrage	Halter brehsbelage	Varilla esp. Pastillas pinzas
32	31.96821.000	1		Grano	Dowel	Goujon	Stift	Clavija
33	20.02716.000	1		Kit pistoncini e guarniz. Pinza	Piston e oil seal for pliers	Jeu petit pistons et joint pince	Reparatursatz Bremszange	Juego piston y guarnición pinza
34	28.91001.000	1		Sfiato	Breather	Reniflard	Entlüfter	Respiradero
35	20.08276.000	1		Kit pistoncino pompa post.	Piston kit rear master cyl.	Kit piston. maî tre cyl. AR.	Kolbensatz hinterhauptbremszylinder	Kit pistón bomba tras.
36	31.30750.000	2		Vite M6x16	Screw M6x16	Vis M6x16	Schraube M6x16	Tornillo M6x16
37	20.08277.000	2		Kit leva	lever kit	Jeu levier	Hebelsatz	Juego palanca
38	20.08275.000	1		Kit serbatoio pompa	Kit, pump tank	Kit reservoir pompe	Deckel pumpstage	Kit deposito bomba
39	25.24442.000	1		Passacavo 6/8	Fair lead 6/8	Passe-fils 6/8	Kabelführung 6/8	Pasa-cable 6/8
40	036.36.002.00.00	1		Protezione	Protection	Protection	Schutz	Protección
41	036.36.003.00.00	1		Protezione	Protection	Protection	Schutz	Protección
42	036.36.006.82.00	1		Kit protezioni anteriore	Set front protections	Jeu protections avant	Bausatz Frontschutz	Juego protecció nes delanteras
43	036.36.004.00.00	1		Protezione	Protection	Protection	Schutz	Protección
44	036.36.005.00.00	1		Protezione	Protection	Protection	Schutz	Protección
45	036.36.007.82.00	1		Kit protezioni posteriore	Set rear protections	Jeu protections arrière	Bausatz Rückschutz	Juego protecció nes traseras

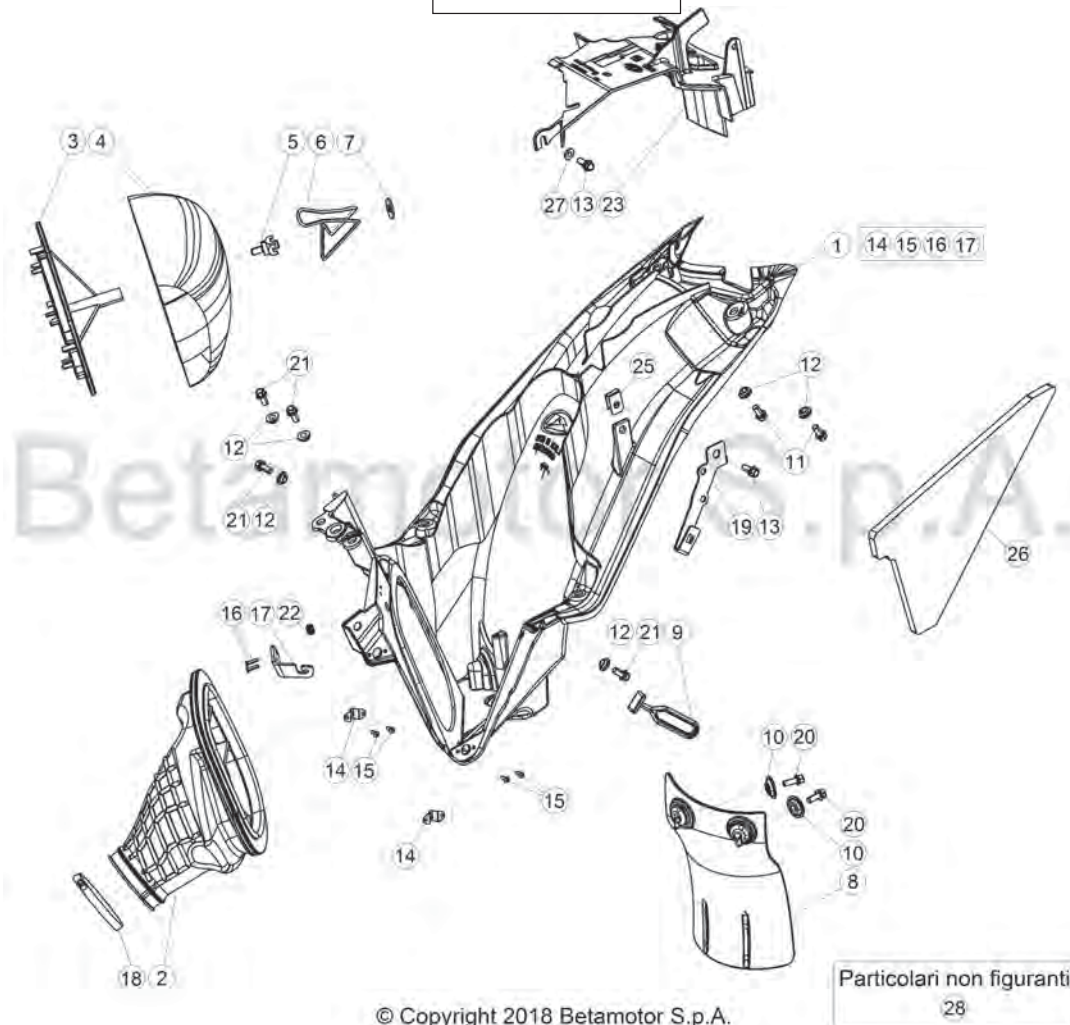


© Copyright 2017 Betamotor S.p.A.

Particolari non figuranti
17

Pos Loc	Numero	Q.tà	Nota	Descrizione	Description	Dé signation	Beschreibung	Descrìciò n
Pos	Number	Q.ty	Note					
Ps	Numéro	M.ge	Nota					
Pos	Nummer	C.ad	Anm.					
1	036.37.010.80.00	1		Silenziatore completo	Silencer complete	Silencieux complet	Endschalldämpfer	Silenciador completo
2	036.37.000.45.00	1		Collettore di scarico	Exhaust manifold	Collecteur d'échapp.	Abgaskrümmner	Colector de escape
3	026.37.103.00.00	1		Guarnizione marmitta	Exhaust gasket	Joint pot d'échappement	Dichtung	Goma silenciador
4	036.37.007.00.00	1		Distanziale	Spacer	Entretoise	Distanzstück	Distanciador
5	026.37.005.00.00	2		Molla tubo di scarico	Exhaust pipe spring	Ressort tuyau echapp.	Krummerfeder	Muelle tubo de escape
6	026.37.006.00.00	3		Distanziale	Spacer	Entretoise	Distanzstück	Distanciador
7	28.91946.000	2		Silentbloc	Silentbloc	Silentbloc	Puffer	Silent-block
9	11.50300.000	1		Bullone 6x30 ch rs	Bolt 6x30 ch rs	Boulon 6x30 ch rs	Bolzen 6x30 ch rs	Tornillo 6x30 ch rs
10	25.60311.000	2		Piastrina elastica M6	Spring plate M6	Plaquette élastique M6	Plättchen M6	Pletina elástica M6
11	11.48025.000	3		Bullone M6x16	Bolt M6x16	Boulon M6x16	Bolzen M6x16	Tornillo M6x16
12	10.66930.000	2		Anello OR	O-Ring	Bague d'échéité	O-Ring	Anillo OR
13	28.91943.000	2		Silent block marmitta	Silencer puffer	Silent block silencieux	Silent block Auspuff	Silent block escape
14	036.37.110.82.00	1		Kit revisione silenzatore	Kit for silencer overhauling	Kit ré v. Silencieux	Reparatursatz Schalldämpfer	Kit revisió n silenciador
15	27.42000.000	2		Rondella 6x18	Washer 6x18	Rondelle 6x18	U.Scheibe 6x18	Arandela 6x18
16	11.50360.000	1		Bullone M6x40	Bolt M6x40	Boulon M6x40	Bolzen M6x40	Tornillo M6x40
17	026.37.016.80.00	1	EU	Collettore di scarico	Exhaust manifold	Collecteur d'échapp.	Abgaskrümmner	Colector de escape

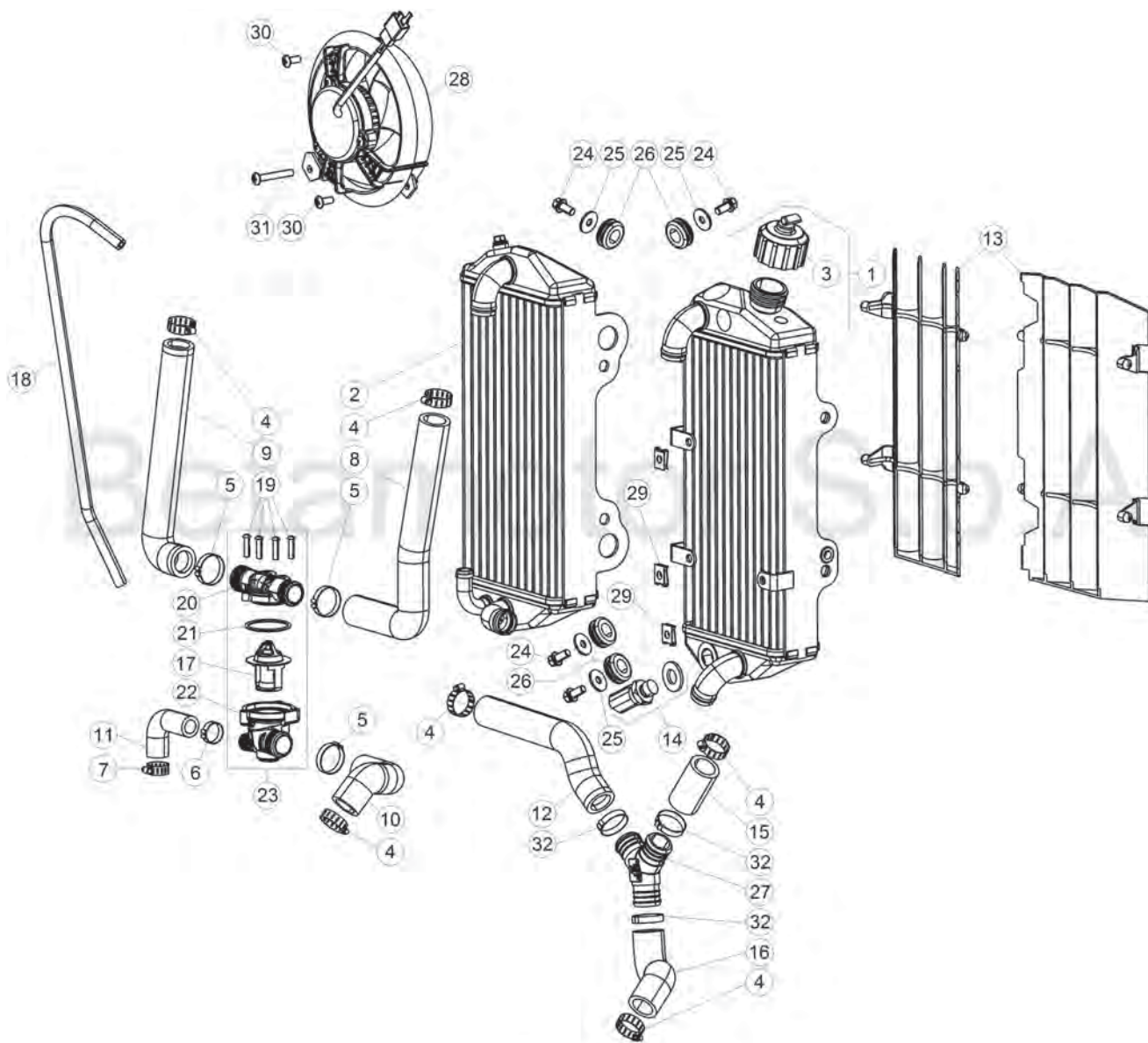
Tav.38



© Copyright 2018 Betamotor S.p.A.

Particolari non figuranti
28

Pos Loc	Numero	Q.tà	Nota	Descrizione	Description	Dé signation	Beschreibung	Descriscì o n
Pos	Numé ro	Q.té	Note					
Ps	Nú mero	M.ge	Nota					
Pos	Nummer	C.ad	Anm.					
1	036.38.014.80.59	1		Scatola filtro completa	Air cleaner box	Boi tier filtre à air	Luftfiltergehäuse	Caja filtro de aire
2	026.38.001.00.00	1		Manicotto scatola filtro	Filter box sleeve	Manchon boi te du filtre	Filtergehäuseummuffe	Manguito caja filtro
3	026.38.002.00.00	1		Gabbia filtro aria	Filter cage	Grille filtre aire	Filter kafig	Jaula filtro aire
4	031.38.001.00.00	1		Filtro aria	Air filter	Filtre à air	Luftfilter	Filtro de aire
5	25.57197.000	1		Perno richiamo ferma-filtro	Filter pin	Pivot filtre	Filtershalter	Pin Eje filtro
6	020.38.021.00.00	1		Molla fermafiltro	Filter spring	Ressort filtre	Filter Feder	Muelle filtro
7	27.74800.000	1		Rondella autobloccante 9	Washer 9	Rondelle 9	Scheibe 9	Arandela 9
8	036.38.009.10.59	1		Protezione ammortizzatore	Rear damper protection	Protection amortisseur	Stoßdämpferschutz	Protección amortiguador
9	16.34907.000	1		Gommino	Rubber buffer	Caoutchouc	Gummi	Goma
10	27.74786.000	2		Rondella bombata	Kasher	Rondelle	Scheibe	Arandela
11	31.79960.000	2		Vite autofilettante M6x15	Self tapping screw M6x15	Vis taraud M6x15	Schraube, Blech M6x15	Tornillo autorosc. M6x15
12	13.54820.000	6		Distanziale 6,5x9,0x13,5	Spacer 6,5x9,0x13,5	Entretoise 6,5x9,0x13,5	Distanzstück 6,5x9,0x13,5	Distanciador 6,5x9,0x13,5
13	11.47015.000	2		Bullone M6x12	Bolt M6x12	Boulon M6x12	Bolzen M6x12	Tornillo M6x12
14	026.38.004.00.00	2		Ricettacolo	Receptacle	Rè ceptacle	Behälter	Receptáculo
15	C18.19.009.00.00	4		Rivetto a strappo 2,4x8	Rivet 2,4x8	Rivet 2,4x8	Niet 2,4x8	Remache 2,4x8
16	27.33803.000	2		Rivetto a strappo 3,2 acciaio	Rivet 3,2 steel	Rivet 3,2 acier	Niet 3,2 stahl	Remache 3,2 acero
17	036.38.008.15.00	1		Staffa molla filtro aria	Air filter bracket spring	Plaqueette ressort filtre à air	Plättchen Feder Luftfilter	Placa muelle filtro de aire
18	15.14272.000	1		Fascetta raccordo aspirazione	Connecting hose clamp	Collier tuyau d'aspiration	Schelle Schlauchstutzen	Abrazadera tubuladura de empalme
19	031.40.127.22.00	1		Staffa	Bracket	Bride	Halterung	Brida
20	31.30815.000	2		Vite autofilettante 6x20	Self tapping screw 6x20	Vis taraud 6x20	Schraube, Blech 6x20	Tornillo autorosc. 6x20
21	11.48025.000	4		Bullone 6x16 ch 8 rs	Bolt 6x16 ch 8 rs	Boulon 6x16 ch 8 rs	Bolzen 6x16 ch 8 rs	Tornillo 6x16 ch 8 rs
22	16.34906.000	1		Gommino	Rubber buffer	Caoutchouc	Gummi	Goma
23	036.38.001.10.59	1		Coperchio scatola filtro	Filter case cover	Couvercle boi te filtre	Filtergehäuseusedeckel	Tapa caja filtro 35
25	25.60311.000	1		Piastrina elastica M6	Spring plate M6	Plaqueette é lastique M6	Plättchen M6	Pletina elástica M6
26	036.38.005.00.00	1		Spugna	Sponge	É ponge	Schwamm	Espanja
27	27.42000.000	2		Rondella 6x18	Washer 6x18	Rondelle 6x18	U.Scheibe 6x18	Arandela 6x18
28	021.38.019.00.00	1	EU	Filtro aria	Air filter	Filtre à air	Luftfilter	Filtro de aire



© Copyright 2017 Betamotor S.p.A.



Beta
motorcycles

Tav.39

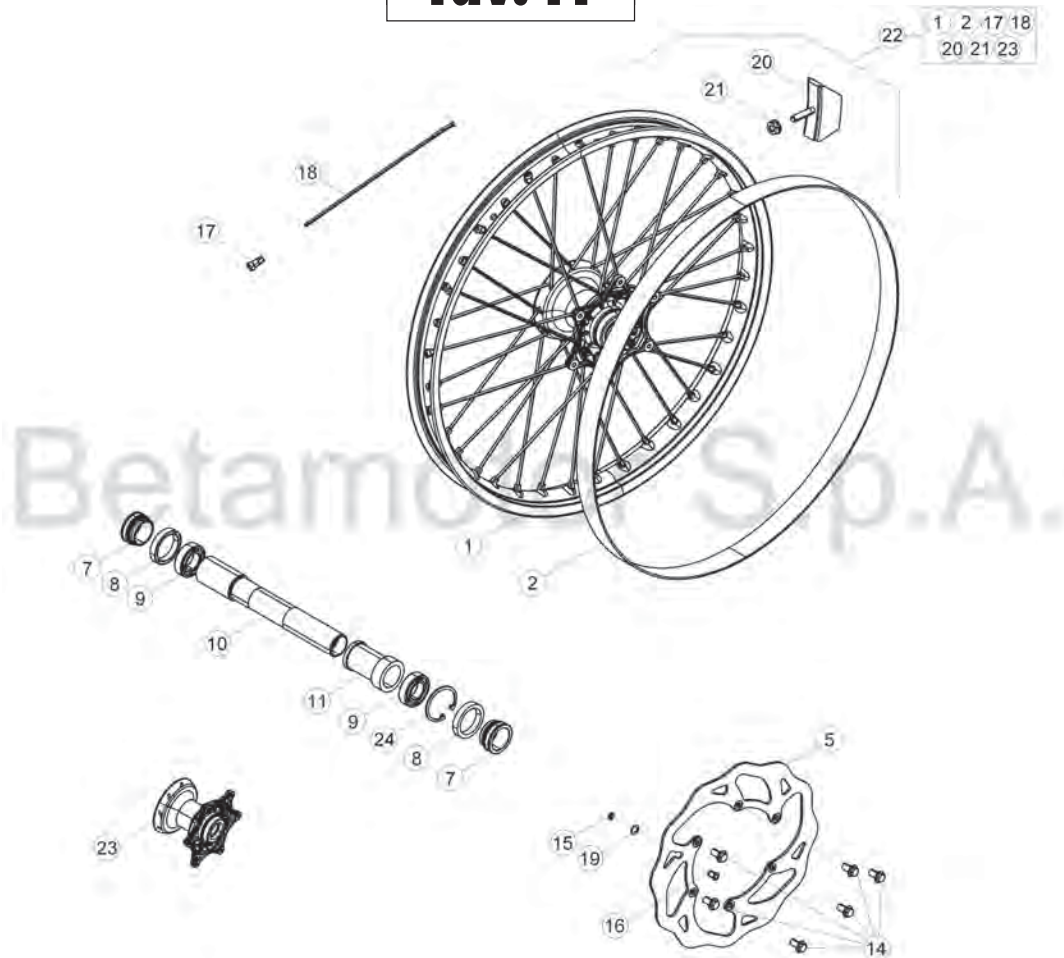
Pos Loc Pos Ps Pos	Numero Number Número Nummer	Q.tà Q.ty Q.té M.ge C.ad	Nota Note Note Nota Anm.	Descrizione	Description	Désignation	Beschreibung	Descripción
1	036.39.001.80.00	1		Radiatore dx.	R.H. radiator	Radiateur D.	R., Kühler	Radiador derech.
2	036.39.000.00.00	1		Radiatore sx.	L.H. radiator	Radiateur G.	L., Kühler	Radiador izrdo.
3	036.39.008.00.00	1		Tappo radiatore	Radiator plug	Bouchon radiateur	Kühlerdeckel	Tapa de radiador
4	15.15240.000	6		Fascetta 19/28	Clamp 19/28	Collier 19/28	Schelle 19/28	Abrazadera 19/28
5	020.39.008.00.00	3		Fascetta 24	Clamp 24	Collier 24	Schelle 24	Abrazadera 24
6	020.39.009.00.00	1		Fascetta 17	Clamp 17	Collier 17	Schelle 17	Abrazadera 17
7	15.15220.000	1		Fascetta 12/22	Clamp 12/22	Collier 12/22	Schelle 12/22	Abrazadera 12/22
8	036.39.002.00.00	1		Tubo termostato superiore dx.	Upper thermostat hose R.H.	Tuyau sup. droit interrupteur thermique	Thermostatschlauch oben re.	Tubo superior der. termostato
9	036.39.003.00.00	1		Tubo termostato superiore sx.	Upper thermostat hose L.H.	Tuyau sup. gauche interrupteur thermique	Thermostatschlauch oben li.	Tubo superior izq. termostato
10	036.39.004.00.00	1		Tubo termostato inferiore dx.	Lower thermostat hose R.H.	Tuyau inf. droit interrupteur thermique	Thermostatschlauch unten re.	Tubo inferior der. termostato
11	036.39.005.00.00	1		Tubo termostato inferiore sx.	Lower thermostat hose L.H.	Tuyau inf. gauche interrupteur thermique	Thermostatschlauch unten li.	Tubo inferior izq. termostato
12	036.39.006.00.00	1		Tubo radiatore	Radiator hose	Tuyau radiateur	Kühlerschlauch	Tubo radiador
13	036.39.007.00.51	1		Coppia griglie radiatore	Radiator grills	Couples calandres	Kühlergrill	Rejas del radiador
14	036.39.009.00.00	1		Termointerruttore	Thermal switch	Thermo- ré gulateur	Umschalter	Interruptor térmico
15	036.39.010.00.00	1		Tubo radiatore dx.	R.H. radiator hose	Tuyau radiateur D.	Kühlerschlauch R.	Tubo radiador der.
16	036.39.011.00.00	1		Tubo radiatore sx.	L.H. radiator hose	Tuyau radiateur G.	Kühlerschlauch L.	Tubo radiador izq.
17	026.39.013.00.00	1		Termostato	Bimetal, thermostatic	Thé rmostat	Thermostat	Termostato
18	026.39.007.00.00	1		Tubo sfiato radiatore	Radiator breather pipe	Tuyau vidange radiateur	Kühlerentlü ftungsrohr	Tubo ventilaci ón radiador
19	031.39.017.50.00	4		Vite speciale M3,5x18	Special screw M3,5x18	Vis spé ciale M3,5x18	Spezialschraube M3,5x18	Tornillo especial M3,5x18
20	031.39.016.00.00	1		Coperchio termostato	Thermostat cover	Couvercle du thermostat	Thermostatabdeckung	Tapa del termostato
21	10.66830.000	1		Anello OR 32x2	O-Ring 32x2	Bague d é tanché ité 32x2	O-Ring 32x2	Anillo OR 32x2
22	031.39.015.00.00	1		Contentitore termostato	Thermostat container	Logement interrupteur thermique	Rahmen Thermostatschlauch	Plástico termostato
23	026.39.020.80.00	1		Termostato completo	Thermostat, assy	Thermostat complet	Thermostat komplett	Termostato compl.
24	11.47015.000	4		Bullone M6x12	Bolt M6x12	Boulon M6x12	Bolzen M6x12	Tornillo M6x12
25	27.43250.000	4		Rondella 6x24	Washer 6x24	Rondelle 6x24	U.Scheibe 6x24	Arandela 6x24
26	16.34911.000	4		Gommino	Rubber buffer	Caoutchouc	Gummi	Goma
27	020.39.020.00.00	1		Raccordo a Y	Y joint.p.	Raccord a Y	Y Stutzen	Racor a Y
28	021.39.002.00.00	1		Elettroventola	Electric fan	Electro-ventilateur	Elektroluterrad	Electroventilador
29	25.58065.000	3		Clip M5	Clip M5	Clip M5	Clip M5	Clip M5
30	31.29828.000	2		Vite TBCEI 5.12	Screw TBCEI 5.12	Vis TBCEI 5.12	Schraube TBCEI 5.12	Tornillo TBCEI 5.12
31	31.29886.000	1		Vite TBCE 5.35	Screw TBCE 5.35	Vis TBCE 5.35	Schraube TBCE 5.35	Tornillo TBCE 5.35
32	00716.005.00.00	3		Fascetta D.25	Clamp D.25	Collier D.25	Schelle D.25	Abrazadera D.25



Tav.40

Pos Loc Pos Ps Pos	Numero Number Numéro Número Nummer	Q.tà Q.ty Q.té M.ge C.ad	Nota Note Note Nota Anm.	Descrizione	Description	Dé signation	Beschreibung	Descriscìo n
1	031.40.006.00.00	1		Gruppo ottico	Headlamp	Projecteur	Scheinwerfer	Faro del.
2	020.40.061.00.00	2		Indicatore dir. ant. sx.-post. Dx	Turn signal L.H.front-R.H.rear	Clignotant av.g.-ar.dr.	Blink. Vorderer links- Hinterer rechts	Indicador del. izq.-tras. der.
3	020.40.060.00.00	2		Indicatore dir. ant. dx.-post. Sx	Turn signal R.H.front-L.H.rear	Clignotant av.dr.-ar.g.	Blink.Vorderer rechts- Hinterer links	Indicador del. der.-tras. izq.
4	020.40.030.80.00	1		Fanalino posteriore a led	LED tail lamp	Feu AR. à diodes	LED-Rücklicht	Piloto a LED
5	020.40.020.00.00	1		Luce Targa	Plate Illumination	Éclairage De Plaque	Kennzeichen-Beleuchtung	Illuminación Placa
6	11.15416.000	1		Batteria	Battery	Batterie	Batterie	Bateria
7	18.84948.000	1		Intermittenza	Unit turn signal lamps	Disp. comm. clignot.	Blinkgeber	Disp. intermitentes
8	27.28471.000	1		Relais	Relay	Relais	Relay	Relé
9	036.40.032.83.00	1	250cc	Centralina	CDI unit	Bobine digital (C.D.I.)	Steuergerät	Centralita digital
9	036.40.033.83.00	1	300cc	Centralina	CDI unit	Bobine digital (C.D.I.)	Steuergerät	Centralita digital
10	036.40.009.00.00	1		Bobina accensione	Ignition coil	Bobine allumage	Zuendspule	Bobina de encendido
11	27.28101.000	1		Regolatore	Regulator	Régulateur	Regler	Regulador
12	026.40.029.00.00	1		Strumento digitale	Digital instrument	Instrument numérique	Digitalinstrument	Instrumento digital
13	031.40.011.00.00	1		Supporto strumento	Instrument holder	Support instruments	Instrumentenhalter	Soporte instrumentos
14	007.40.050.00.00	1		Avvisatore acustico	Warning horn	Avertisseur sonore	Hupe	Claxon
15	28.79013.000	1		Sensore REED	REED sensor	Sensor REED	Sensor	Sensor REED
16	27.13514.000	1		Raccordo candela	Plug fitting	Raccord bougie	Kerzenanschluß	Racor bují a
17	036.11.001.00.00	1		Candela	Spark plug	Bougie	Zündkerze	Bujía
18	036.40.021.00.00	1		Impianto centrale	Electric equipment	Installation centrale	Zentraler Kabelbaum	Instalación central
19	026.40.017.00.00	1		Pompa olio	Oil pump	Pompe huile	Ölpumpe	Bomba aceite
20	026.40.006.00.00	1		Cavetto relé avviamento	Starter relay cable	Câble relais de démarrage	Anlassrelaiskabel	Cable relé de arranque
21	036.40.011.00.00	1		Cavetto di massa	Ground cable	Cable masse	Masse kabel	Cable masa
22	020.40.003.00.00	1		Cavo batteria-relé	Battery-Relay cable	Cable batterie-relais	Kabel Batterie-Relais	Cable Batería a-Relé
23	031.40.042.00.00	1		Impianto posteriore	Rear harness	Circuit post.	Anlage hinten	Instalación tras.
24	036.40.010.40.59	1		Staffa avvisatore acustico	Horn bracket	Plaque avertisseur	Hupeplatte	Placa de claxon
25	031.40.052.00.00	1		Gruppo diodi	Diode gr.	Groupe diodes	Diodeneinheit	Grupo diodos
27	15.14654.000	1		Fascetta	Clamp	Collier	Schelle	Abrazadera
28	25.24442.000	3		Passacavo 6/8	Fair lead 6/8	Passe-fils 6/8	Kabelführung 6/8	Pasa-cable 6/8
29	25.24443.000	3		Passacavo 6/6	Fair lead 6/6	Passe-fils 6/6	Kabelführung 6/6	Pasa-cable 6/6
30	15.14264.000	4		Fascetta	Clamp	Collier	Schelle	Abrazadera
31	31.31040.000	1		Vite TCEI 6.12	Screw TCEI 6.12	Vis TCEI 6.12	Schraube TCEI 6.12	Tornillo TCEI 6.12
32	13.54820.000	2		Distanziale 6,5x9,0x13,5	Spacer 6,5x9,0x13,5	Entretoise 6,5x9,0x13,5	Distanzstück 6,5x9,0x13,5	Distanziador 6,5x9,0x13,5
33	31.23600.000	1		Vite M4,2x13 TMTIC	Screw M4,2x13 TMTIC	Vis M4,2x13 TMTIC	Schraube M4,2x13 TMTIC	Tornillo M4,2x13 TMTIC
34	25.25182.000	1		Fascetta	Clamp	Collier	Schelle	Abrazadera
35	25.58090.000	1		Piastrina elastica	Spring plate	Plaquette élastique	Plättchen	Pletina elástica
36	31.26190.000	2		Vite M4x12 TCIC	Screw M4x12 TCIC	Vis M4x12 TCIC	Schraube M4x12 TCIC	Tornillo M4x12 TCIC
37	020.40.812.00.00	2		Distanziale 5x15	Spacer 5x15	Entretoise 5x15	Distanzstück 5x15	Distanziador 5x15
38	031.40.013.00.00	2		Gommino	Rubber buffer	Caoutchouc	Gummi	Goma
39	11.48025.000	7		Bullone 6x16 ch 8 rs	Bolt 6x16 ch 8 rs	Boulon 6x16 ch 8 rs	Bolzen 6x16 ch 8 rs	Tornillo 6x16 ch 8 rs
40	020.40.006.00.00	2		Fusibile 10A	Fuse 10A	Fusible 10A	Sicherung 10A	Fusible 10A
41	31.30190.000	2		Vite a brugola 6x8	Allen screw 6x8	Vis à 6 pans 6x8	Sechskantschraube 6x8	Tornillo a llave allen 6x8
42	11.46360.000	2		Bullone flangiato M5x16	Head Flanged bolt M5x16	Boulon Bridé M5x16	Bundbolzen M5x16	Bulón con Brida M5x16
43	13.12550.000	5		Vite flangiata M6	Flanged nut M6	Ecrou bordé M6	Flanschmutter M6	Tuerca embreada M6
44	31.23565.000	1		Vite 4,5x15 TCCCR	Screw 4,5x15 TCCCR	Vis 4,5x15 TCCCR	Schraube 4,5x15 TCCCR	Tornillo 4,5x15 TCCCR
45	31.26190.000	3		Vite M4x12 TCIC	Screw M4x12 TCIC	Vis M4x12 TCIC	Schraube M4x12 TCIC	Tornillo M4x12 TCIC
46	14.40020.000	1		Cinghia fiss. batteria	Battery sec. strap	Bande fix. batterie	Batteriebefestigung Riemen	Correja suj. batería a
47	007.40.034.00.00	1		Elastico centralina	Rubber band, CDI UNIT	Elastique CDI	Gummiband Steuergehäuse	Elastico centralita digital
48	11.48025.000	2		Bullone 6x16 ch 8 rs	Bolt 6x16 ch 8 rs	Boulon 6x16 ch 8 rs	Bolzen 6x16 ch 8 rs	Tornillo 6x16 ch 8 rs
49	036.40.024.00.00	1		Impianto elettrico anteriore	Front harness	Installation électricque AV.	Elektrische anlage vorne	Sistema eléctrico del.
50	31.95510.000	1		Vite TBCE M6x12	Screw TBCE M6x12	Vis TBCE M6x12	Schraube TBCE M6x12	Tornillo TBCE M6x12
54	11.46501.000	1		Bullone M6x10	Bolt M6x10	Boulon M6x10	Bolzen M6x10	Tornillo M6x10
55	036.40.017.00.00	1		Relé	Relay	Relais	Relay	Relé
56	036.43.030.00.00	1		Tubo olio	Oil tube	Tuyau huile	Schlauch	Tubo aceite
57	031.40.051.00.00	1		Condensatore	Condenser	Condensateur	Kondensator	Condensador
58	031.40.002.22.00	1		Staffa fissaggio intermittenza	Unit turn signal lamps bracket	Support disp. comm. clignot.	Befestigung Blinkgeber	Brida soporte disp. intermitentes
59	026.40.057.00.00	1	EU	Impianto elettrico diagnosi	Diagnosys wiring	Câblage pour diagnosis	Diagnosys Kabelbaum	Cableado diagnosis
60	27.34650.000	3		Rondella 4.9	Washer 4.9	Rondelle 4.9	U.Scheibe 4.9	Arandela 4.9

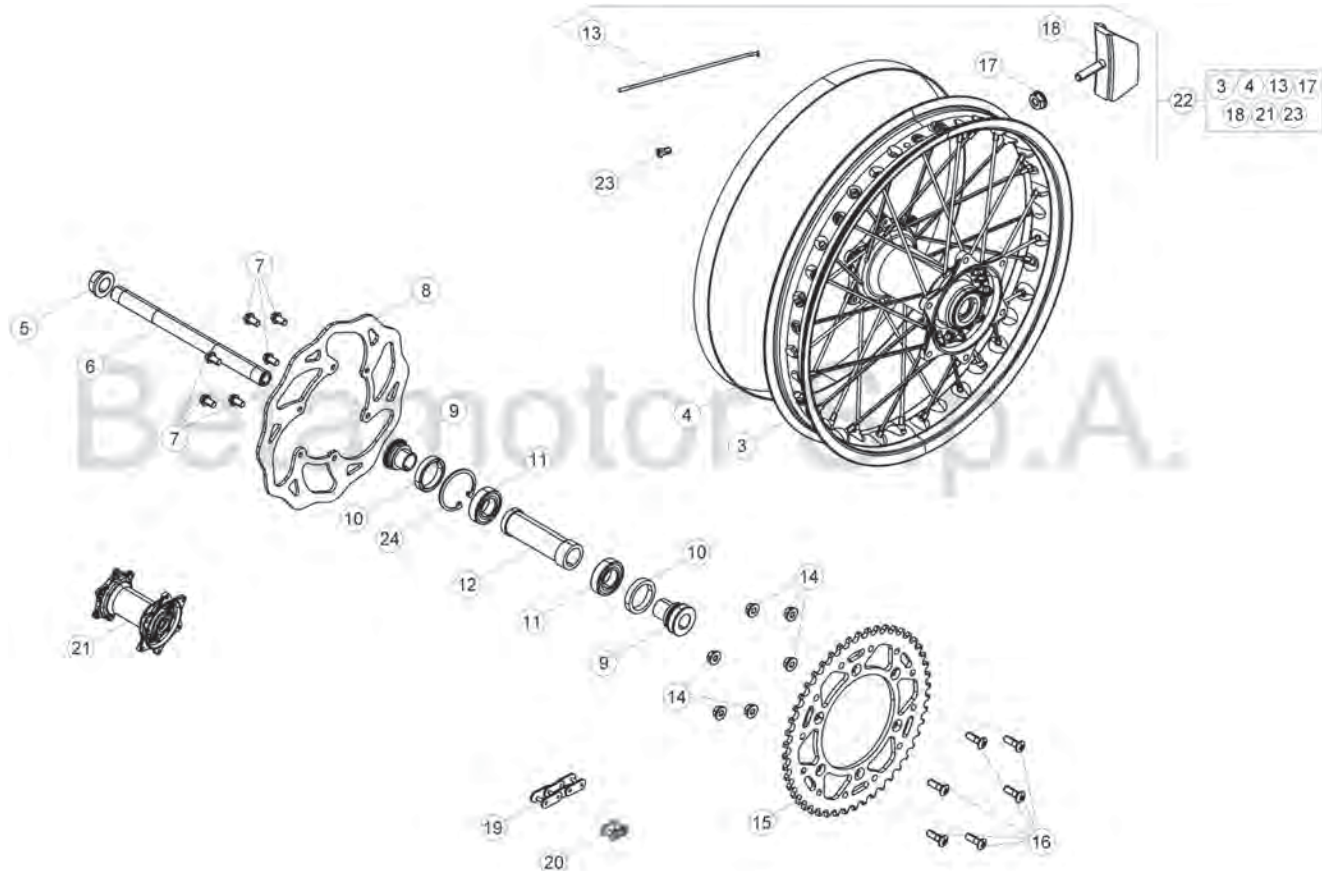
Tav.41



© Copyright 2016 Betamotor S.p.A.

Pos Loc Pos Ps Pos	Numero Number Numéro Número Nummer	Q.tà Q.ty Q.té M.ge C.ad	Nota Note Note Nota Anm.	Descrizione	Description	Désignation	Beschreibung	Descrìption
1	036.41.007.00.59	1		Cerchio ruota ant.	Front wheel rim	Jante roue AV.	Vorderradfelge	Llanta rueda del.
2	15.38200.000	1		Flap 21x25	Bead 21x25	Flap 21x25	Felgenband 21x25	Cinta tapa radios flap 21x25
5	031.41.030.00.00	1		Disco freno	Brake plate	Disque frein	Bremscheibe	Disco freno
7	036.41.005.00.00	2		Distanziale ant.	Front spacer	Entretoise AV.	Distanzstück vorderer	Distanciador del.
8	10.66000.000	2		Paraolio 35x47x7	Oil seal 35x47x7	Pare-huile 35x47x7	Dichtring 35x47x7	Sello de lub. 35x47x7
9	020.41.003.00.00	2		Cuscinetto 30x47x9	Bearing 30x47x9	Roulement 30x47x9	Lager 30x47x9	Cojinete 30x47x9
10	036.41.004.00.00	1		Perno ruota anteriore	Front wheel spindle	Pivot roue AV.	Vorderradzapfen	Perno ruota delantera
11	031.41.015.00.00	1		Distanziale interno	Inner spacer	Entretoise interne	Inneres Distanzstück	Distanciador interior
14	031.41.043.00.00	6		Vite speciale M6x14	Special screw M6x14	Vis spéciale M6x14	Spezialschraube M6x14	Tornillo especial M6x14
15	28.22660.000	1		Seeger 9E	Seeger 9E	Seeger 9E	Seegerring 9E	Seeger 9E
16	021.41.005.00.00	1		Magnete	Magneto	Magneto	Magnet	Magneto
17	036.41.003.00.00	36		Nipplo	Nipple	Ecrou	Nippel	Tuerca
18	036.41.002.00.00	36		Raggio ruota anteriore	Front wheel spokes	Rayons roue AV.	Vorderradspiken	Radios ruoda delantera
19	27.58080.000	1		Rondella spess. 9x13x0,4	Washer 9x13x0,4	Rondelle epaisseur 9x13x0,4	Scheibe 9x13x0,4	Arandela 9x13x0,4
20	036.41.010.00.00	1		Fermacopertone	Tyre retainer	Arrêt	Felgenhalterung	Sujeta cobertura
21	13.17120.000	1		Dado flangiato M8	Flanged nut M8	Ecrou bordé M8	Flanschmutter M8	Tuerca embreadada M8
22	036.41.009.00.59	1		Ruota anteriore p/montata	Front wheel ass.	Roue avant p/montée	Vormontiertes vorderrad	Rueda delantera montada
23	031.41.014.80.00	1		Mozzo anteriore c/cuscinetti	Front hub with ballbearing	Moyeu avant avec roulements	Nabe vo.	Buje ant./cojinetes
24	001.26.001.00.00	1		Anello d'arresto 47,1,75	Check ring 47,1,75	Bague d'arrêt 47,1,75	Sicherungsring 47,1,75	Anillo de bloqueo 47,1,75

Tav.42



Particolari non figuranti
25 26

© Copyright 2016 Betamotor S.p.A.

Pos Loc Pos Ps Pos	Numero Number Numéro Número Nummer	Q.tà Q.ty Q.té M.ge C.ad	Nota Note Note Nota Anm.	Descrizione	Description	Désignation	Beschreibung	Descripció
3	036.42.007.00.59	1		Cerchio ruota post.	Rear wheel rim	Jante roue AR.	Hinterradfelge	Llanta ruoda trasera
4	15.36000.000	1		Flap 17/18x25	Bead 17/18x25	Flap 17/18x25	Felgenband 17/18x25	Flap cinta tapa radios 17/18x25
5	13.27120.000	1		Dado speciale	Special nut	Ecrou spé ciale	Spezialmutter	Tuerca especial
6	25.55812.000	1		Perno ruota posteriore	Rear wheel pin	Pivot roue arriè re	Hinterradbolzen	Perno ruoda trasera
7	031.41.016.00.00	6		Vite TEF M6x14	Screw TEF M6x14	Vis TEF M6x14	Schraube TEF M6x14	Tornillo TEF M6x14
8	031.42.030.00.00	1		Disco freno posteriore	Rear brake disk	Disque frein arriè re	Hinterbrems Scheibe	Disco freno trasero
9	031.42.002.00.00	2		Distanziale mozzo post. Dx	RH rear hub spacer	Entretoise moyeu arriere D.	Distanz li	Distanciadar buje tras. Der.
10	10.66000.000	2		Paraolio 35x47x7	Oil seal 35x47x7	Pare-huile 35x47x7	Dichtring 35x47x7	Sello de lub. 35x47x7
11	020.42.004.00.00	2		Cuscinetto 25x47x12	Bearing 25x47x12	Roulement 25x47x12	Lager 25x47x12	Cojinete 25x47x12
12	031.42.005.00.00	1		Distanziale interno	Inner spacer	Entretoise interne	Innere Distanzstück	Distanciadar interior
13	036.42.004.00.00	36		Raggio ruota posteriore	Rear wheel spokes	Rayons roue AR.	Hinterradspiken	Radios ruoda trasera
14	13.17123.000	6		Dado TECF M8	Nut TECF M8	Ecrou TECF M8	Mutter TECF M8	Tuerca TECF M8
15	031.42.038.00.00	1		Corona Z.48	Ring gear Z.48	Couronne Z.48	Zahnkranz Z.48	Corona Z.48
16	31.96827.000	6		Vite speciale M8X26	Special screw M8X26	Vis spé ciale M8X26	Spezialschraube M8X26	Tornillo especial M8X26
17	13.17120.000	1		Dado flangiato M8	Flanged nut M8	Ecrou bordé M8	Flanschmutter M8	Tuerca embriada M8
18	15.17550.000	1		Fermafascioni	Tire fastener	Caoutchouc serrure chambre	Reifen Halter	Agarre cubierta ant.
19	031.42.004.00.00	1		Catena P.112	Chain P.112	Chai ne P.112	Kette P.112	Cadena P.112
20	031.42.008.00.00	1		Maglia congiunzione 5/8x1/4	Connecting link 5/8x1/4	Maillon jonction 5/8x1/4	Kettenschloss 5/8x1/4	Enganche cadena 5/8x1/4
21	031.42.014.80.00	1		Mozzo posteriore c/cuscinetti	Rear hub with ballbearing	Moyeu arriere avec roulements	Hinterrad Nabe	Buje del. c/cojinetes
22	036.42.008.00.59	1		Ruota posteriore p/montata	Front wheel ass.	Roue arriere p/monte	Vormontiertes hinterrad	Rueda trasera montada
23	036.42.005.00.00	36		Nipplo	Nipple	Ecrou	Nippel	Tuerca
24	C01.26.001.00.00	1		Anello d arresto 47,1,75	Check ring 47,1,75	Bague d arrêt 47,1,75	Sicherungsring 47,1,75	Anillo de bloqueo 47,1,75
25	026.42.013.00.00	1	EU	Corona Z.42	Ring gear Z.42	Couronne Z.42	Zahnkranz Z.42	Corona Z.42
26	026.42.014.00.00	1	EU	Catena P.110	Chain P.110	Chai ne P.110	Kette P.110	Cadena P.110

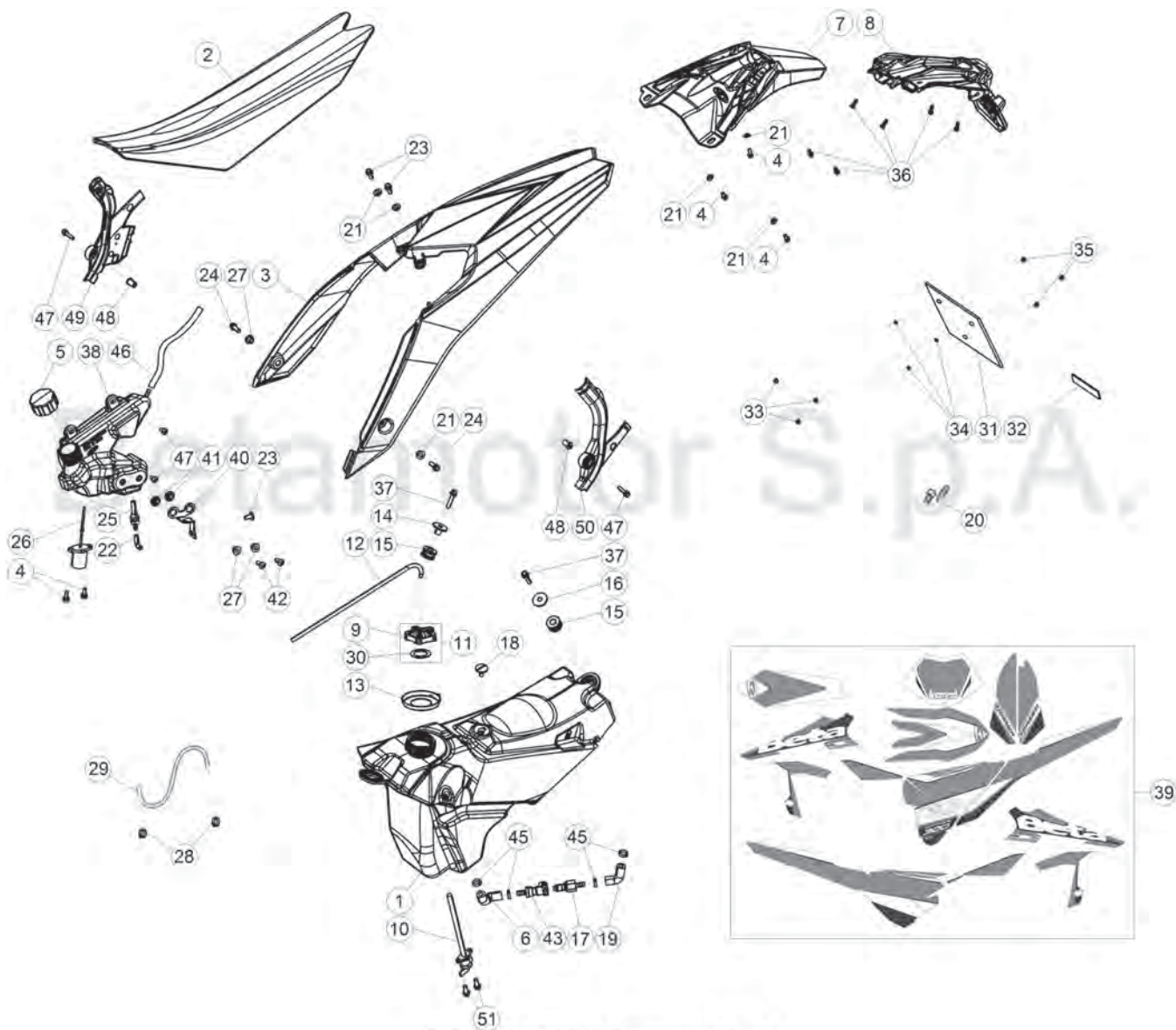


© Copyright 2016 Betamotor S.p.A.

Tav.43A

Pos Loc Pos Ps Pos	Numero Number Numéro Número Nummer	Q.tà Q.ty Q.té M.ge C.ad	Nota Note Note Nota Anm.	Descrizione	Description	Dé signation	Beschreibung	Descrìciòn
1	020.43.015.00.51	1		Mascherina	Mask	Masque	Maske	Máscara
2	031.43.034.10.97	1		Parafango anteriore	Front mudguard	Garde-boue AV.	Vorder Kotflügel	Guardabarros del.
3	036.43.036.22.00	1		Attacco mascherina	Mask fastening bracket	Bride fix. masque	Befestigungsblech Maske	Brida soporte máscara
4	026.43.021.00.97	1		Coppia fianchetti scatola filtro	Airbox panels pair	Côtes latérales boîtier filtre à air	Luftfiltergehäuse seitlich	Flancos derechos caja filtro aire
5	021.45.008.00.97	1		Protezione stelo - Kit	Fork tube protection kit	Kit protections tube fourche	Kit Abdeckung Gabelschlauch	Protecciónes tubos horquilla
8	020.43.141.10.59	1		Supporto parafango	Fender stay	Appui aile	Koffluegelstuetze	Soporte de guardabarros
9	020.43.062.10.59	1		Coperchio pignone	Sprocket cover	Couvercle pignon	Deckel Ritzel	Tapa piñón
10	014.43.041.00.00	2		Distanziale fissaggio mascherina	Headlight holder spacer	Entretoise de fixation cache phare	Distanzstück Lichtschildchen	Distanciador fij. máscara
11	25.24464.000	1		Passacavo	Grammet	Passe-câble	Kabeldurchgang	Pasacables
12	31.26190.000	3		Vite M4x12 TCIC	Screw M4x12 TCIC	Vis M4x12 TCIC	Schraube M4x12 TCIC	Tornillo M4x12 TCIC
13	13.49189.000	1		Distanziale	Spacer	Entretoise	Distanzstück	Distanciador
14	11.50300.000	2		Bullone 6x30 ch rs	Bolt 6x30 ch rs	Boulon 6x30 ch rs	Bolzen 6x30 ch rs	Tornillo 6x30 ch rs
15	13.49190.000	3		Distanziale 10mm	Spacer 10mm	Entretoise 10mm	Distanzstück 10mm	Distanciador 10mm
16	11.48025.000	4		Bullone 6x16 ch 8 rs	Bolt 6x16 ch 8 rs	Boulon 6x16 ch 8 rs	Bolzen 6x16 ch 8 rs	Tornillo 6x16 ch 8 rs
17	13.54841.000	4		Distanziale	Spacer	Entretoise	Distanzstück	Distanciador
18	31.79960.000	2		Vite autofilettante M6x15	Self tapping screw M6x15	Vis taraud M6x15	Schraube, Blech M6x15	Tornillo autorrosc. M6x15
19	27.74786.000	1		Rondella	Washer	Rondelle	U.Scheibe	Arandela
20	13.54820.000	14		Distanziale 6,5x9,0x13,5	Spacer 6,5x9,0x13,5	Entretoise 6,5x9,0x13,5	Distanzstück 6,5x9,0x13,5	Distanciador 6,5x9,0x13,5
21	11.47015.000	6		Bullone M6x12	Bolt M6x12	Boulon M6x12	Bolzen M6x12	Tornillo M6x12
22	020.43.012.00.00	2		Distanziale	Spacer	Entretoise	Distanzstück	Distanciador
23	31.95510.000	6		Vite TBCE M6x12	Screw TBCE M6x12	Vis TBCE M6x12	Schraube TBCE M6x12	Tornillo TBCE M6x12
24	31.23566.000	1		Vite TCCCR 4,5x9 screwplast	Screw TCCCR 4,5x9 screwplast	Vis TCCCR 4,5x9 screwplast	Schraube TCCCR 4,5x9 screwplast	Tornillo TCCCR 4,5x9 screwplast
25	27.34650.000	1		Rondella	Washer	Rondelle	U.Scheibe	Arandela
26	11.49070.000	4		Bullone 6x20 ch rs	Bolt 6x20 ch rs	Boulon 6x20 ch rs	Bolzen 6x20 ch rs	Tornillo 6x20 ch rs
28	13.62000.000	1		Distanziale	Spacer	Entretoise	Distanzstück	Distanciador
29	31.30035.000	3		Bullone M6x25 TBCEI	Bolt M6x25 TBCEI	Boulon M6x25 TBCEI	Bolzen M6x25 TBCEI	Tornillo M6x25 TBCEI
30	11.48025.000	1		Bullone 6x16 ch 8 rs	Bolt 6x16 ch 8 rs	Boulon 6x16 ch 8 rs	Bolzen 6x16 ch 8 rs	Tornillo 6x16 ch 8 rs
31	11.46501.000	1		Bullone M6x10	Bolt M6x10	Boulon M6x10	Bolzen M6x10	Tornillo M6x10
32	036.43.002.10.97	1		Fianchetto serbatoio dx.	R.H. tank panel	Panneau lateral réservoir droite	Benzintankseite re.	Flanco depósito derecho
33	036.43.001.10.97	1		Fianchetto serbatoio sx.	L.H. tank panel	Panneau lateral réservoir gauche	Benzintankseite li.	Flanco depósito izquierdo
34	25.60311.000	2		Piastrina elastica M6	Spring plate M6	Plaquette élastique M6	Plättchen M6	Pletina elástica M6
35	12.33062.000	2	EU	Catadiottro laterale	Side reflector	Catadioptré latéral	Seiten Rückstrahler	Catafaro lateral

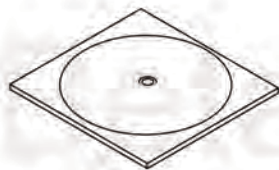
Tav.43B



© Copyright 2017 Betamotor S.p.A.

Tav.43B

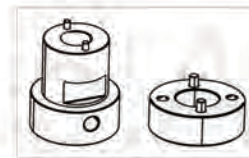
Pos Loc Pos Ps Pos	Numero Number Numéro Número Nummer	Q.tà Q.ty Q.té M.ge C.ad	Nota Note Note Nota Anm.	Descrizione	Description	Dé signation	Beschreibung	Descrìciò n
1	036.43.034.00.59	1		Serbatoio benzina	Fuel tank	Reservoir carb.	Kraftstofftank	Dep. carburante
2	036.43.032.00.00	1		Sella	Seat	Siege	Sattel	Sillin
3	036.43.003.10.97	1		Parafango posteriore	Rear mudguard	Garde-boue AR.	Hinterradkotflügel	Guardabarros tras.
4	11.47015.000	5		Bullone M6x12	Bolt M6x12	Boulon M6x12	Bolzen M6x12	Tornillo M6x12
5	036.43.010.00.00	1		Tappo serbatoio olio	Oil tank plug	Bouchon ré servoiir d huile	Ölbehälterverschluss	Tapón depósito aceite
6	036.43.012.00.00	1		Tubo benzina	Petrol tube	Tuyau d essence	Benzinschlauch	Tubo gasolina
7	036.43.006.10.59	1		Portatarga	Plate holder	Porte-plaque	Kennzeichenträger	Porta matr.
8	020.43.034.10.59	1	EU	Portatarga	Plate holder	Porte-plaque	Kennzeichenträger	Porta matr.
9	036.43.041.80.00	1		Tappo serbatoio benzina	Filler cap	Bouchon de ré servoiir	Tankverschluss	Tapón depósito
10	036.43.039.00.00	1		Rubinetto benzina	Fuel cock.	Robinet melange	Kraftstoffhahn	Grifo mezcla
11	036.43.041.82.00	1		Tappo serbatoio benzina	Filler cap, assy.	Bouchon de ré servoiir complet	Tankverschluss kpl.	Tapón depósito completo
12	021.43.006.00.00	1		Tubo sfiato	Bleeder pipe	Tuyau purge	Leitung Entlüftungs	Tubo purga de aire
13	026.43.029.00.00	1	EU	Anello	Ring	Anneau	Schelle	Anillo
14	020.43.002.00.00	1		Distanziale serbatoio benzina ant.	Fuel tank front spacer	Entretoise ré servoiir Avant	Distanzstück Benzintank vorne	Distanciadór delantero depósito
15	28.91946.000	2		Silentbloc	Silentbloc	Silentbloc	Puffer	Silent-block
16	031.43.002.00.00	1		Distanziale	Spacer	Entretoise	Distanzstück	Distanciadór
17	036.43.013.00.00	1		Connettore	Connector	Connecteur	Kabelverbinder	Conector
18	31.89010.000	1		Vite spec. bloccaggio sella	Seat locking screw	Vis blocage selle	Schraube	Tornillo bloqueo sillin
19	036.43.011.00.00	1		Tubo benzina	Petrol tube	Tuyau d essence	Benzinschlauch	Tubo gasolina
20	15.14264.000	1		Fascetta	Clamp	Collier	Schelle	Abrazadera
21	13.54820.000	6		Distanziale 6,5x9,0x13,5	Spacer 6,5x9,0x13,5	Entretoise 6,5x9,0x13,5	Distanzstück 6,5x9,0x13,5	Distanciadór 6,5x9,0x13,5
22	036.43.022.00.00	1		Tubo olio	Oil tube	Tuyau huile	Schlauch	Tubo aceite
23	31.95510.000	3		Vite TBCE M6x12	Screw TBCE M6x12	Vis TBCE M6x12	Schraube TBCE M6x12	Tornillo TBCE M6x12
24	11.48025.000	2		Bullone 6x16 ch 8 rs	Bolt 6x16 ch 8 rs	Boulon 6x16 ch 8 rs	Bolzen 6x16 ch 8 rs	Tornillo 6x16 ch 8 rs
25	036.43.017.00.00	1		Raccordo	Joint.p.	Raccord	Stutzen	Racor
26	026.40.019.00.00	1		Indicatore di livello	Fuel level gauge	Jauge d essence	Benzinstandgeber	Indicador de nivel
27	13.62000.000	3		Distanziale	Spacer	Entretoise	Distanzstück	Distanciadór
28	C07.08.008.00.00	2		Anello stringitubo CE12	Pipe clamping ring CE12	Anneau serre-tube CE12	Schlauchschelle CE12	Anillo presatubo CE12
29	026.43.005.00.00	1		Tubo serbatoio-carburatore	Tank-carburettor pipe	Tuyau ré servoiir-carburateur	Tankleitung-Vergaser	Tubo radiador-carburador
30	031.43.116.00.00	1		Guarnizione tappo	Packing for cap	Joint bouchon	Deckeldichtung	Junta tapón
31	018.43.010.10.59	1	EU	Supporto targa	Licence plate bracket	Support plaque	Nummernschildträger	Soporte placa porta matrì cula
32	12.33086.000	1	EU	Catadiottro posteriore	Rear reflector	Catadiopire AR.	Rückstrahler hinten	Catáfaros tras.
33	13.11010.000	3	EU	Dado autobloccante M5	Self locking nut M5	Ecrou de sé curité M5	Mutter, selbstsichernd M5	Tuerca de seguridad M5
34	27.36000.000	3	EU	Rondella 5x11	Washer 5x11	Rondelle 5x11	U.Scheibe 5x11	Arandela 5x11
35	31.29860.000	3	EU	Vite M5x16 TTLIC	Screw M5x16 TTLIC	Vis M5x16 TTLIC	Schraube M5x16 TTLIC	Tornillo M5x16 TTLIC
36	31.79960.000	6	EU	Vite autofilettante M6x15	Self tapping screw M6x15	Vis taraud M6x15	Schraube, Blech M6x15	Tornillo autorrosc. M6x15
37	11.50300.000	2		Bullone 6x30 ch rs	Bolt 6x30 ch rs	Boulon 6x30 ch rs	Bolzen 6x30 ch rs	Tornillo 6x30 ch rs
38	026.43.007.10.51	1		Serbatoio olio mix	Oil mix tank	Ré servoiir d huile mix	2-taktöltank	Tanque aceite mezcla
39	036.43.040.82.00	1		Serie decalco compl.	Transfer set	Sé rie dé calco	Serie Aufkleber	Serie adhesivos
40	036.43.021.22.00	1		Attacco pompa olio	Oil pump element	Element pompe huile	Ölpumpeneinsatz	Elemento de bomba aceite
41	16.34906.000	2		Gommino passacavo	Fairlead rubber ring	Joint en caoutchouc passe-câ ble	Kabeldurchgangsgummi	Junta de goma pasa-cable
42	31.30470.000	2		Vite 6x14 TBCE	Screw 6x14 TBCE	Vis 6x14 TBCE	Schraube 6x14 TBCE	Tornillo 6x14 TBCE
43	031.40.027.00.00	1		Raccordo rapido tubo benzina	Quick-coupling union gasoline tube	Raccord rapide tuyau d essence	Steckanschluß Benzinschlauch	Conexió n rápida tubo gasolina
45	C07.16.002.00.00	4		Fascetta autoaggrappante	Self locking clamp	Collier à autoserrage	Selbstklemmende Schelle	Abrazadera con autobloqueo
46	036.43.028.14.00	1		Tubo sfiato	Breather pipe	Tuyau vidange	Entlüftungsrohr	Tubo ventilació n
47	11.49070.000	4		Bullone 6x20 rs	Bolt 6x20 rs	Boulon 6x20 rs	Bolzen 6x20 rs	Tornillo 6x20 rs
48	27.33740.000	2		Rivetto filettato M6	Threaded rivet M6	Rivet fileté M6	Niete mit gewinde M6	Remache roscado M6
49	036.43.027.10.59	1		Protezione telaio dx	RH frame protection	Protection cadre droit	Abdeckung Rahmen re.	Protecció n derecha bastidor
50	036.43.026.10.59	1		Protezione telaio sx	LH frame protection	Protection cadre gauche	Abdeckung Rahmen li.	Protecció n izquierda bastidor
51	11.46251.000	2		Bullone flangiato M5x12 RS CH8	Head Flanged bolt M5x12 RS CH8	Boulon Bridé M5x12 RS CH8	Bundbolzen M5x12 RS CH8	Bulón con Brida M5x12 RS CH8



1



2



3

© Copyright 2016 Betamotor S.p.A.

Pos Loc Pos Ps Pos	Numero Number Numéro Número Nummer	Q.tà Q.ty Q.té M.ge C.ad	Nota Note Nota Anm.	Descrizione	Description	Dé signation	Beschreibung	Descripció n
1	036.44.021.00.00	1		CD-Rom Manuale uso e manutenzione	Owner s manual CD-Rom	CD-Rom Manuel d utilisation et entretien	CD-Rom Bedienungs und Wartungshandbuch	CD-Rom Manual de Uso y Manutención
2	036.44.002.80.00	1		Borsa attrezzi	Tool roll	Trousse à outils	Werkzeugtasche	Bolsa herramientas
3	036.44.008.82.00	1		Utensile forcella	Fork tool	Outil fourche	Werkzeug Gabel	Herramienta horquilla

