



## **RR 400 - 450 - 520**

Thanks for your preference, and have a good time! This handbook contains the information you need to properly operate and maintain your motorcycle.

The data and specifications provided in this manual does not constitute an engagement on the part of BETAMOTOR S.p.A. BETAMOTOR reserves the right to make any changes and improvements to its models at any moment and without notice.

## IMPORTANT

We recommend you to check all the tightenings after the first one or two hours' ride over rough ground. Special attention should be paid to the following parts:

- rear sprocket
- ensure that the footrests are properly fixed
- front/rear brake levers/calipers/discs
- check that the plastics are properly fastened
- engine bolts
- shock absorber bolts/swingarm
- wheel hubs/spokes
- rear frame
- pipe connections
- tensioning the chain

## IMPORTANT

For any servicing requirements, please get in contact with Beta-motor's authorized service network.

Operating instructions.....	5
Ecologic guide.....	5
Riding safety.....	6
<b>CHAPTER 1 GENERAL INFORMATION</b> .....	<b>7</b>
Vehicle identification data .....	8
Delivery.....	8
Load .....	10
Tyres .....	10
Steering lock .....	11
Familiarizing with your vehicle .....	12
Controls.....	13
Specifications .....	19
Wiring diagrams RR 4t .....	23
Electrical devices.....	25
Euro 3 devices.....	26
<b>CHAPTER 2 OPERATION</b> .....	<b>27</b>
Checks to be performed before each ride .....	28
Lubricants.....	29
Running-in .....	29
Starting the engine.....	30
Choke and Idling setting .....	31
Refuelling .....	32
<b>CHAPTER 3 CHECKS AND MAINTENANCE</b> .....	<b>33</b>
Motor oil level check.....	34
Changing the engine oil and filters extraction.....	37
Changing the gear and clutch oil .....	37
Check the level of the front and rear brake fluid and bleeding.....	38
Check the front and rear brake pads.....	40
Check the oil level in the hydraulic clutch and bleeding .....	41
Fork oil.....	42
Air filter .....	43
Spark plug .....	44
Carburetor .....	46
Coolant.....	48
Drive chain maintenance and wear.....	49
Charging the battery.....	50
Cleaning and checking the vehicle .....	51
Scheduled maintenance.....	52
Prolonged inactivity.....	53

**CHAPTER 4 ADJUSTMENTS** ..... 55

Brake adjustment: front lever and brake pedal ..... 56

Adjusting the home position of the clutch lever ..... 57

Adjusting the handlebars ..... 57

Adjusting the throttle control cable ..... 58

Checking and adjusting the steering play ..... 58

Adjusting the Suspensions: telescopic fork and shock absorber ..... 59 ÷ 61

Tensioning the chain ..... 61

**CHAPTER 5 REPLACEMENTS** ..... 63

Replacing the brake pads: front and rear ..... 64

Replacing the headlight bulbs ..... 66

Replacing the rear optical batch ..... 66

**CHAPTER 6 TROUBLESHOOTING** ..... 69

**INDEX** ..... 71

## OPERATING INSTRUCTIONS

- The vehicle must be accompanied by: number-plate, registration document, tax disc and insurance.
- Do not carry animals, pets or loose objects that can stick out from the vehicle.
- Riding without a crash helmet is forbidden.
- Always ride with the low beam on.
- Any modifications of the engine or other parts resulting in a power and/or speed increase are punishable by severe sanctions including the confiscation of the vehicle.
- To protect your safety and that of others, always drive carefully and with your helmet on.

### WARNING

Any modifications and tampering with the vehicle during the warranty period exempt the manufacturer from all responsibility and invalidate warranty.

## ECOLOGIC GUIDE

- Every vehicle powered by an internal combustion engine produces an amount of noise (noise pollution) and gases (air pollution) which varies with the riding style.
- The abatement of noise and air pollution levels is the duty of everybody. Avoid full-throttle starts, sudden acceleration and abrupt braking. This will reduce noise emission as well as the wear and tear of the tyres and mechanical parts, and will also allow a considerable reduction in fuel consumption.

## RIDING SAFETY

- Observe the Highway Code.
- Always put on and fasten a homologated helmet.
- Always ride with the low beam on.
- Always keep the crash helmet visor clean.
- Avoid wearing garments with hanging ends.
- Do not keep sharp or brittle objects in your pockets while riding.
- Properly adjust the rearview mirrors.
- Always ride in a seated position, with both hands on the handlebars and both feet on the footrests.
- Always pay attention and do not allow anything to distract you while riding.
- Do not eat, drink, smoke, use a mobile phone, etc. while riding.
- Do not wear headphones to listen to music while riding.
- Never ride abreast with other vehicles.
- Do not tow and avoid being towed by other vehicles.
- Always keep a safe distance from other vehicles.
- Do not sit on the vehicle when it is on its stand.
- Do not start off while the vehicle is on its stand.
- Do not pull out the stand when the vehicle is facing downhill.
- Avoid swaying and wheelies as they are extremely dangerous for your own and other people's safety as well as for your vehicle.
- Always apply both brakes on dry roads with no gravel and sand. Using one brake may be dangerous and cause uncontrolled skidding.
- To reduce the braking distance, always apply both brakes.
- On wet roads and in off-road riding, drive with care and at moderate speed. Take special care in applying the brakes.
- Do not start the engine in closed places.

## CONTENTS

**CHAPTER 1 GENERAL INFORMATION**

Vehicle identification data

Delivery

Load

Tyres

Steering lock

Familiarizing with your vehicle

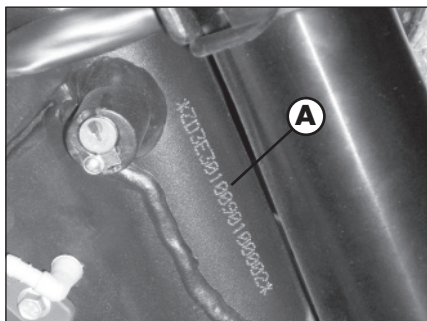
Controls

Specifications

Wiring diagram

Electrical devices

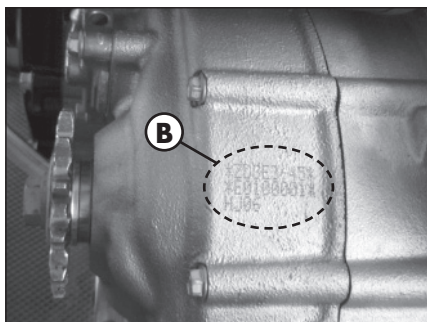
Euro 3 devices



## VEHICLE IDENTIFICATION DATA

## FRAME IDENTIFICATION

Frame identification data **A** are stamped on the right side of the steering head tube.



## ENGINE IDENTIFICATION

Engine identification data **B** are stamped in the area shown in the figure.

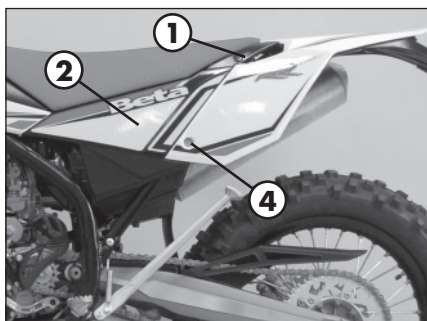
## WARNING:

Tampering with the identification numbers is severely punished by law.



## DELIVERY

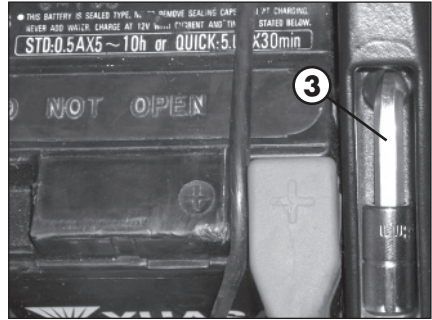
- The vehicle is supplied ready for use. However, it is advisable to conduct a few simple checks before riding:
  - Check the tyre pressures.
  - Check the oil level in the engine.
- The following items are supplied as standard: operation and maintenance manual, tool kit (see photo).



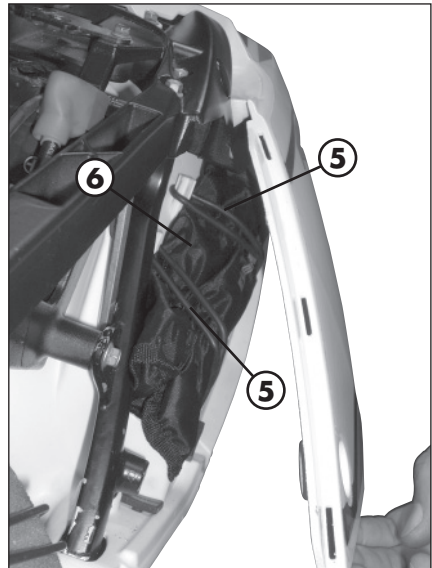
To take the tool kit, push the button **1** to get off the saddle. Pull back the saddle. Pull the rear side panel **2** to disassemble it.



Get off the male end wrenches and hexagon socket **3**.  
With these is possible to unscrew the screw **4**.



Pull the left cover of rear fender and unhook two rubber bands **5**. Now the toolkit **6** is accessible.



# 1

## LOAD

- To avoid to let the vehicle be unstable, do not carry bulky or heavy objects.
- Do not carry objects that stick from the vehicle or cover the lighting and signalling devices.

# GENERAL INFORMATION



## TYRES

- Only fit tyres approved by BETAMOTOR. Unsuitable tyres can adversely affect the road holding of the vehicle.
- To protect your safety, immediately replace any damaged tyres.
- Slick tyres adversely affect the road holding of the vehicle, especially on wet roads and in off-road riding.
- Insufficient pressure results in abnormal wear and overheating of the tyres.
- The front and rear tyres must have the same tread design.



pressure is too low



pressure is correct



pressure is too high

## TYRES PRESSION ENDURO RR 400 - 450 - 520

TYRE	front	rear
Off-road	1,0 bar	1,0 bar
Road	1,5 bar	1,8 bar

### Note

The type, condition and pressure of the tyres affect the road holding of the vehicle. For this reason it is essential to check them before each journey.

- The size of the tyres is shown in the technical specifications and in the vehicle handbook.
- Check the condition of the tyres before each journey. Inspect the tyres for cuts and for nails or other pointed objects sticking out of them. Regarding the minimum allowable thickness of the tread, observe the regulations in force in your country. We recommend replacing the tyres at the latest when the tread is 2 mm thick.
- Check the inflating pressure on a regular basis while the tyres are cold. Proper pressure ensures optimum riding comfort and prolongs the life of the tyres.

### STEERING LOCK

The vehicle is supplied with one key and a spare to be used for the steering lock.

#### WARNING:

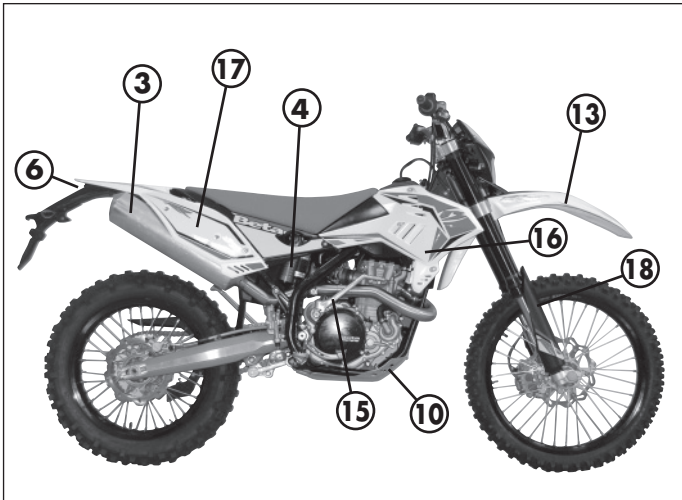
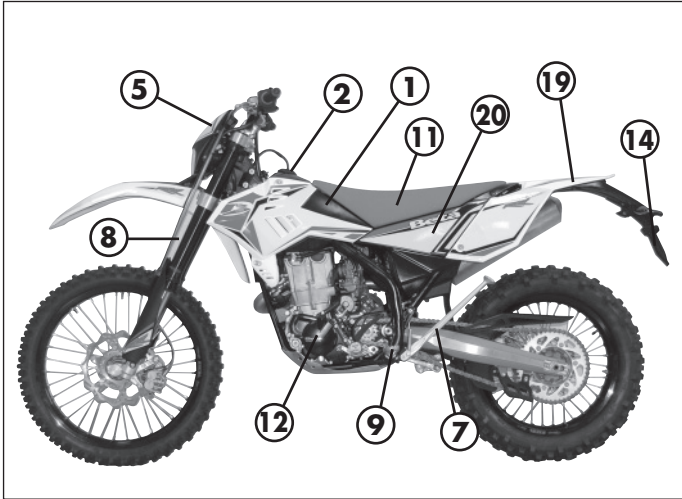
Do not keep the spare keys in the vehicle. Keep the keys in a safe and easy-to-reach place. The code number stamped on the keys should be copied on this manual (or elsewhere) so it can be used to ask for duplicates should both keys be lost.

To engage the steering lock, fully turn the handlebars to the left, insert the key, press and turn it fully anticlockwise and then release it.



# 1

## FAMILIARIZING WITH THE VEHICLE



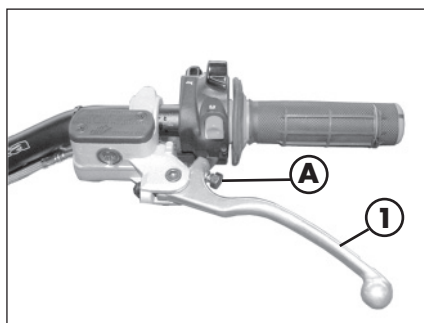
### Main parts:

- |                         |                          |                       |
|-------------------------|--------------------------|-----------------------|
| 1 - Fuel tank           | 10 - Lower bumper        | 18 - Fork covers      |
| 2 - Tank cap            | (Bumper kit)             | 19 - Rear mudguard    |
| 3 - Silencer            | 11 - Saddle              | 20 - Cover air filter |
| 4 - Rear shock absorber | 12 - Engine              |                       |
| 5 - Headlight           | 13 - Front mudguard      |                       |
| 6 - Rear light          | 14 - Number-plate holder |                       |
| 7 - Side stand          | 15 - Kick-start          |                       |
| 8 - Fork                | 16 - Front side panel    |                       |
| 9 - Rider's footrests   | 17 - Rear side panel     |                       |

## CONTROLS

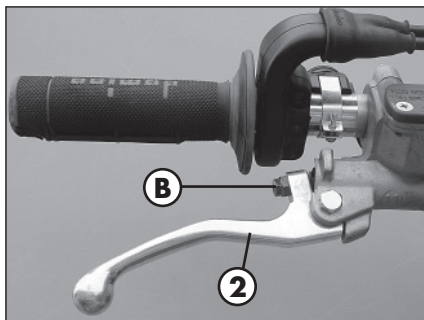
## CLUTCH LEVER

Clutch lever **1** is fitted to the left-hand side of the handlebars. Screw **A** can be used to alter the home position of the lever (see Adjustments).



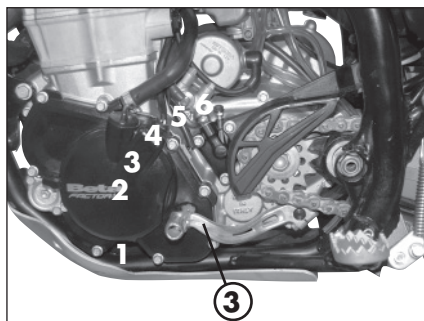
## FRONT BRAKE LEVER

Front brake lever **2** is fitted to the right-hand side of the handlebars. Screw **B** can be used to adjust the home position of the lever (see Adjustments).



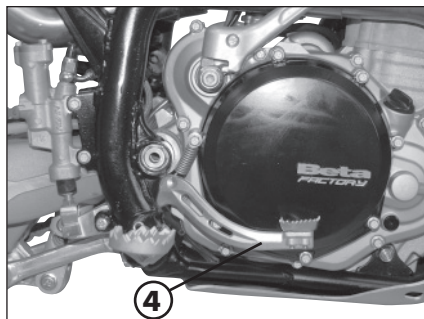
## GEARCHANGE LEVER

Gearchange lever **3** is fitted to the left side of the engine. The positions corresponding to the different gears are shown in the figure. The neutral position is between the **1<sup>st</sup>** and **2<sup>nd</sup>** gears.



## BRAKE PEDAL

Brake pedal **4** is located in front of the right-hand footrest. The position of the pedal can be adjusted to suit the requirements of the driver (see Adjustments).



# 1

## DIGITAL RPM INDICATOR

### **SCROLL** PUSHBUTTON

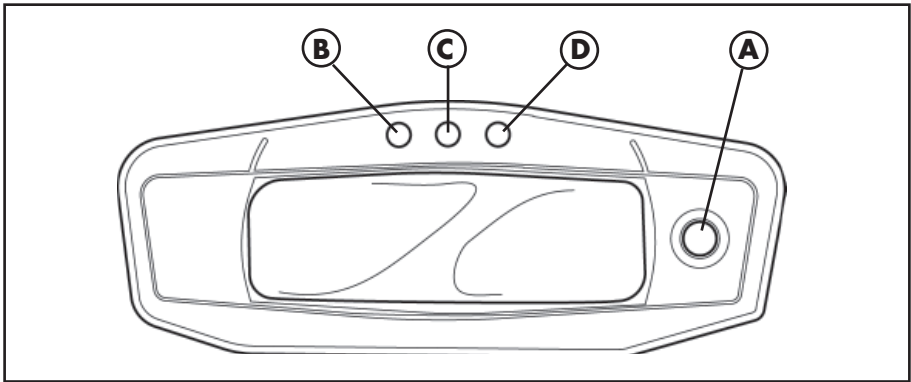
The instrument panel has a pushbutton A which changes and sets the main functions.

### WARNING LIGHTS

The instrument panel has three warning lights. Warning light **B**, GREEN, indicates turn indicators have been activated.

Warning light **C**, BLUE, indicates when the high-beam light is ON.

Warning light **D**, YELLOW, indicates the reserve (not activated).



### **Important:**

When cleaning operation using a high-pressure water jet cleaner, avoid aiming the jet to the digital instrument panel.

## INSTRUMENT PANEL OPERATION

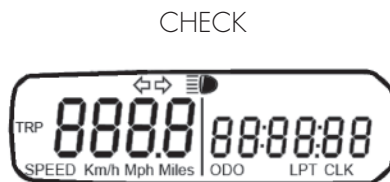
Every time the battery is connected, the instrument panel checks all the functions. Once the CHECK phase is complete (around 2 seconds), the last preset operation is displayed.

Every time the vehicle is turned off, the instrument panel stops showing the current information.

If the **SCROLL** pushbutton is pushed repeatedly, the functions are displayed in sequenced screens in the following order:

1st screen

- **SPEED** rpm indicator
- Odometer **ODO**

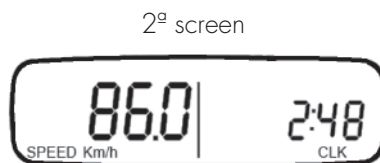


1<sup>o</sup> screen



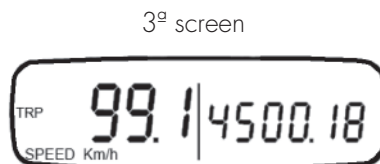
2nd screen

- **SPEED** rpm indicator
- Clock **CLK**



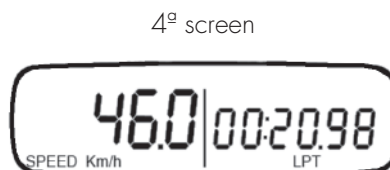
3rd screen

- **SPEED** rpm indicator
- Trip odometer **TRIP**



4th screen

- **SPEED** rpm indicator
- **STP** chronometer



1st screen

- **SPEED** rpm indicator
- Odometer **ODO** ....and so on.



### SPEED RPM INDICATOR FUNCTIONS

It indicates the vehicle speed in km/h or Mph.

Maximum value: 199 km or mph

### CONVERSION PROCEDURE **Km/h - Mph** and wheel selection

In order to convert km/h to mph, proceed as follows:

- Set the instrument panel on the 1st screen, turn off the vehicle and press the **SCROLL** pushbutton.
- Start the vehicle keeping the **SCROLL** pushbutton pushed until the symbol "Km/h" is displayed.
- "Km/h" and "Mph Miles" will be displayed alternately. Press the **SCROLL** key when the intended unit of measurement is displayed.
- After the conversion, and for a short period of time, the two wheel circumferences available will be shown. Confirm the value to be saved by pressing the **SCROLL** key at the moment it is shown on the display.



### ODOMETER **ODO** FUNCTIONS

The **ODO** function saves the kilometres travelled by the vehicle, even with the instrument panel is OFF.

Saving interval: every 2 km

Maximum indication: 99999 km



## CLOCK CLK FUNCTIONS

It indicates hours and minutes from 0:00 to 23:59 :59

In order to set the clock, it is necessary to select the screen 2 and hold down the **SCROLL** pushbutton for approximately three seconds. After this time has elapsed, the desired hour can be selected by pressing the **SCROLL** key.

When the pushbutton is released after three seconds, the instrument panel will automatically shift to the minutes. Select the minutes by pressing repeatedly the **SCROLL** pushbutton.

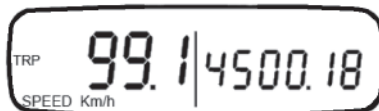


## TRIP ODOMETER TRIP FUNCTION

It indicates the distance travelled from the last resetting.

Maximum indication: 999.9 km

This parameter can be reset on screen 3 by pushing and holding down the **SCROLL** key for approximately 3 seconds.



### Remark:

The information from this function is lost when the battery is disconnected or tension drops below 6V.

## STP CHRONOMETER FUNCTION

It indicates a range from 0 to 99:59.99 (Minutes:Seconds.Hundredths of a second) This counter is controlled by pressing (once the function is displayed) the **SCROLL** key for approximately 0.5 second.



**1st Push:** function activation

**2nd Push:** counters are stopped

**3rd Push:** **STP** reset

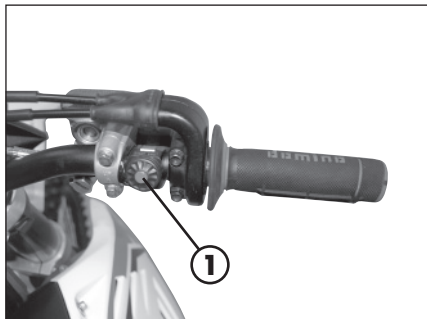
**4th Push:** function activation

**5th Push:** counters are stopped

and so on ....

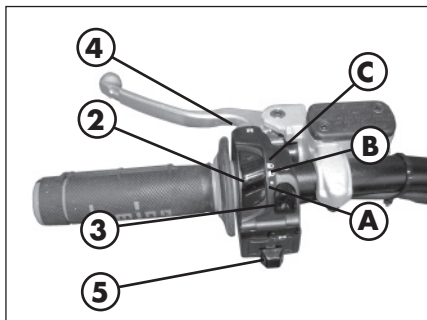
### Remark:

The information from this function is lost when the battery is disconnected or tension drops below 6V.



STARTER BUTTON

Starter button **1** is located on the right-hand side of the handlebars and operates the electric engine starter. Push the button until the engine starts. Do not press the button **1** while the engine is running.



LH SWITCH

Dip switch **2** has three positions:

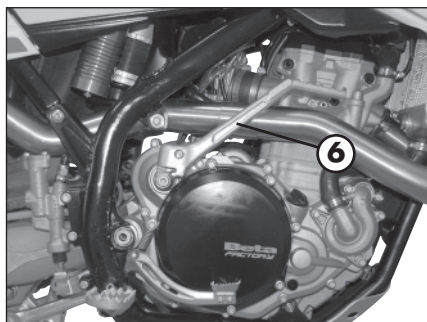
**A** = lights off

**B** = low beam on

**C** = high beam on

Button **3** operates the horn.

Switch **4** is used to stop the engine. Press the button until the engine stops.



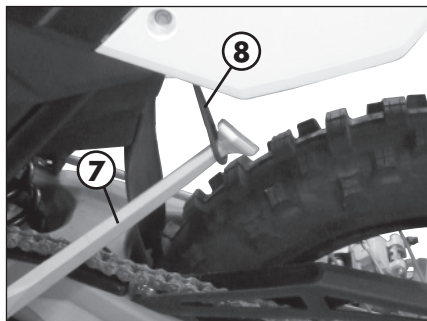
INDICATOR SWITCH

Shifting lever **5** left or right activates the left or right indicators (if installed). When released, the lever returns to the central position. Press it to turn the indicators off.

KICKSTART

Kickstart **6** is fitted to the right-hand side of the engine.

The upper part of the kickstart can be oriented.



SIDE STAND

Press down side stand **7** with the foot and lean the vehicle against it.

Ensure that the ground is solid and the vehicle stands steadily.

If the vehicle is used off-road, the closed stand can be further fastened by means of rubber band **8**.

## SPECIFICATIONS

Dry weight RR 400 - 450 - 520 ..... 114 kg (front 56,8 Kg; rear 57,2 Kg)

## DIMENSIONS RR 400 - 450 - 520

maximum length ..... 2180 mm  
 maximum width ..... 807 mm  
 overall height ..... 1270 mm  
 wheelbase ..... 1490 mm  
 saddle height ..... 940 mm  
 ground clearance ..... 320 mm  
 footrest height ..... 413 mm

FRAME ..... molybdenum steel with double cradle split above exhaust port

## TYRES

pressure (bar) off-road ..... front 1,0 / rear 1,0  
 pressure (bar) road ..... front 1,5 / rear 1,8

## WHEEL DIMENSION

front cover ..... 90/90 - 21  
 rear cover ..... 140/80 - 18  
 front rim ..... 21x1,6 - 36 holes  
 rear rim ..... 18x2,15 - 36 holes

## CAPACITIES

fuel tank.....	8 liter
fuel type .....	petrol unleaded, with a minimum octane number of 95 (R.O.N.)
including reserve .....	1 liter
coolant circuit .....	1,3 liter
motor oil .....	0,8 liter (15W - 50)
gear oil .....	0,8 liter (10W - 40)

## FRONT SUSPENSION

"Marzocchi" hydraulic upside-down fork (Ø45 mm shafts)

Fork oil capacity:

spring .....	K 0,45
tube preloading .....	33 mm
oil level .....	115 mm (without tube preloading)
oil type.....	MARZOCCHI SAE 7,5
front wheel travel.....	290 mm

## REAR SUSPENSION

Single shock absorber with compound lever

shock absorber travel .....	135 mm
rear wheel travel .....	290 mm

## FRONT BRAKE

Ø 260 mm floating disc and dual-piston floating caliper

## REAR BRAKE

Ø240 mm disc and single-piston floating caliper

## ENGINE

Type .....	Single cylinder, 4-stroke, liquid-cooled with countershaft and electric starting
Bore x stroke RR 400 .....	95 x 56,2 mm
Bore x stroke RR 450 .....	95 x 63,4 mm
Bore x stroke RR 520 .....	100 x 63,4 mm
Displacement (cm <sup>3</sup> ) RR 400 .....	398 cm <sup>3</sup>
Displacement (cm <sup>3</sup> ) RR 450 .....	449,4 cm <sup>3</sup>
Displacement (cm <sup>3</sup> ) RR 520 .....	497,9 cm <sup>3</sup>
Compression ratio RR 400 .....	12,4:1
Compression ratio RR 450 .....	11,95:1
Compression ratio RR 520 .....	12,0:1
Carburetor .....	see table

	RR 400	RR 450	RR 520
Type	Keihin FCR-MX 39	Keihin FCR-MX 39	Keihin FCR-MX 39
Carburetor-setting number	006.12.100.8.0	006.12.000.8.0	006.12.200.8.0
Main jet	175	175	180
Jet needle	OBDTS	OBDVS	OBDVS
Idling jet	45	45	45
Main air jet	200	200	200
Idling air jet	100	100	100
Needle position	5°	4°	4°
Starting jet	85	85	85
Mixture control screw open	1+1/2	1+1/2	2
Intake jet	50	40	40

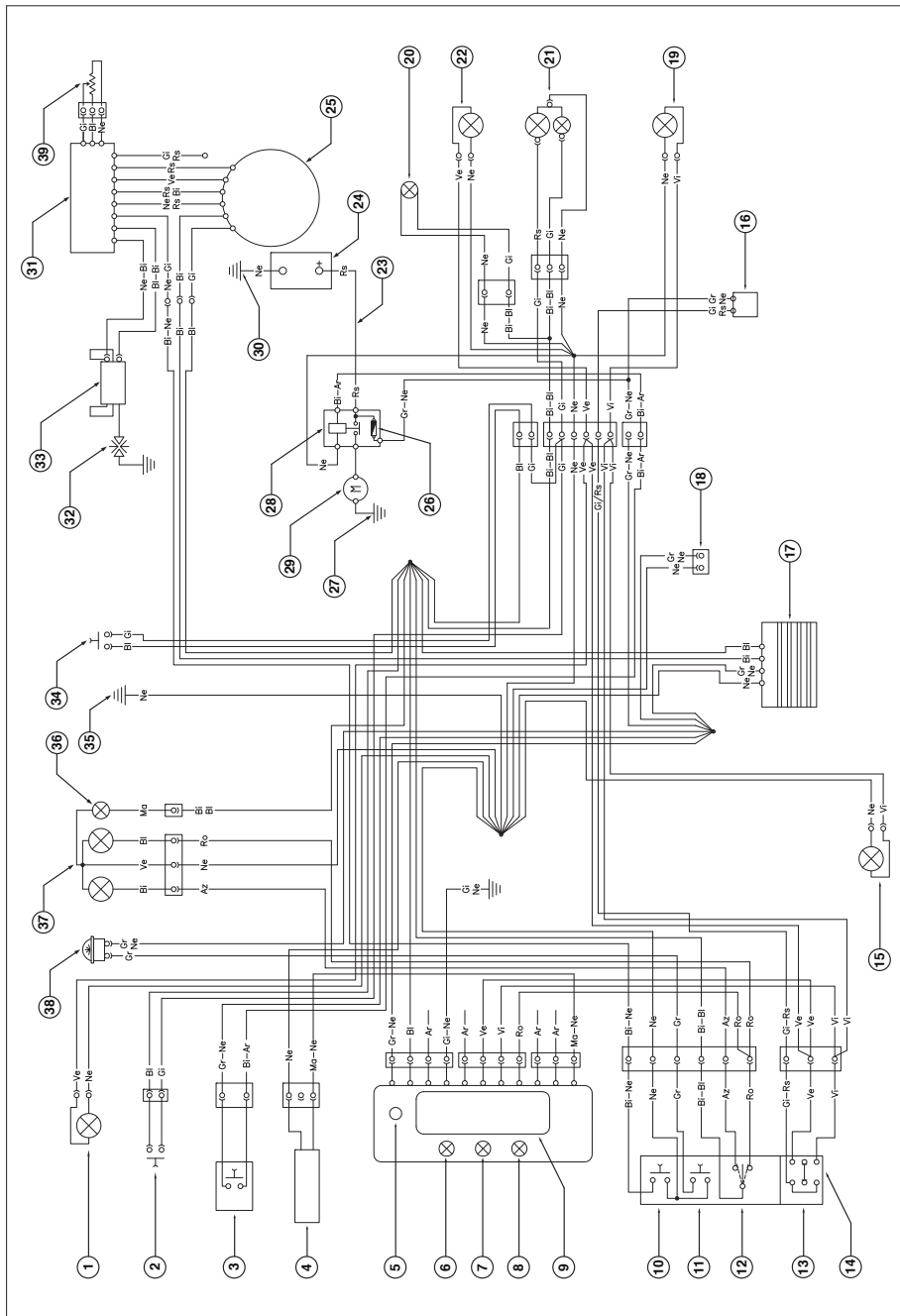
# 1

Lubrication ..... 2 oil pumps  
 Fuel system..... a carburettore  
 Cooling system ..... forced liquid circulation by pump  
 Spark plug ..... NGK LKAR 8A - 9  
 Clutch ..... wet, multidisc  
 Transmission ..... 6-speed with front claw clutch

	RR 400	RR 450	RR 520
Gear ratio 1st gear	12:31	12:31	12:31
Gear ratio 2st gear	15:28	15:28	15:28
Gear ratio 3st gear	19:28	19:28	19:28
Gear ratio 4st gear	20:24	20:24	20:24
Gear ratio 5st gear	27:27	27:27	27:27
Gear ratio 6st gear	28:24	28:24	28:24

Valve gear ..... 4 valves  
 Primary drive..... straight toothed 33/76  
 Final drive..... chain  
 Pinion (omologation) ..... Z 15  
 Pinion (race use)..... Z 13  
 Rear sprocket (omologation) 400-450-520 cm<sup>3</sup> ..... Z 45  
 Rear sprocket (race use) 400 cm<sup>3</sup> ..... Z 50  
 Rear sprocket (race use) 450-520 cm<sup>3</sup> ..... Z 48  
 Play of valves ..... intake 0,10±0,175 mm  
 exhaust 0,125±0,20 mm  
 Ignition ..... DC-CDI without trembler,  
 with digital variable spark advance, Kokusan-type  
 Starting ..... electric starter and kickstart

# WIRING DIAGRAM RR 4T



## WIRING DIAGRAM RR 4t

- 1) RIGHT-HAND FRONT TURN INDICATOR (12V-10W BULB)
- 2) FRONT BRAKE LIGHT BUTTON
- 3) START BUTTON
- 4) WHEEL REVOLUTION SENSOR
- 5) SCROLL BUTTON
- 6) TELL TALE LAMP (NO CONECT)
- 7) HEADLIGHT TELL TALE LAMP
- 8) TRAFFICATOR LIGHTS TELL TALE LAMP
- 9) DISPLAY
- 10) ENGINE STOP BUTTON
- 11) HORN BUTTON
- 12) HEADLIGHT SELECTOR
- 13) TURN SIGNAL LAMPS SWITCH
- 14) L.H. SWITCH
- 15) LH FRONT TURN SIGNAL (BULB 12V-10W)
- 16) UNIT TURN SIGNAL LAMPS
- 17) REGULATOR 12V
- 18) ELECTRIC FAN KIT (option)
- 19) LEFT-HAND REAR TURN INDICATOR (12V-10W BULB)
- 20) NUMBER-PLATE LIGHT (12V-5W BULB)
- 21) REAR OPTIC BATCH
- 22) RIGHT-HAND REAR TURN INDICATOR (12V-10W BULB)
- 23) BATTERY POSITIVE TERMINAL
- 24) BATTERY 12V-5Ah
- 25) GENERATOR
- 26) 10A FUSE
- 27) EARTH BRAID
- 28) STARTER RELAY
- 29) STARTER MOTOR
- 30) BATTERY NEGATIVE TERMINAL
- 31) ELECTRONIC CONTROL UNIT
- 32) SPARK.PLUG
- 33) AT COIL
- 34) REAR BRAKE LIGHT BUTTON
- 35) FRAME EARTH
- 36) PARKING LIGHT BULB, 12V-5W
- 37) HEADLIGHT (12V-35/35W BULB)
- 38) 12V HORN
- 39) TPS THROTTLE POSITION SENSOR

## Key to colours

Bi = White  
 Ve = Green  
 Ma = Brown  
 Vi = Purple

Bl = Blue  
 Ne = Black  
 Gi = Yellow  
 Rs = Red

Ar = Orange  
 Az = Sky-blue  
 Ro = Pink  
 Gr = Grey



## ELECTRICAL DEVICES

### BATTERY

Battery **1** is located under the saddle and requires no maintenance.

It is not necessary to check the level of the electrolyte or top up with water.

Keep the battery terminals clean and, if necessary, protect them with a small quantity of vaseline technique.

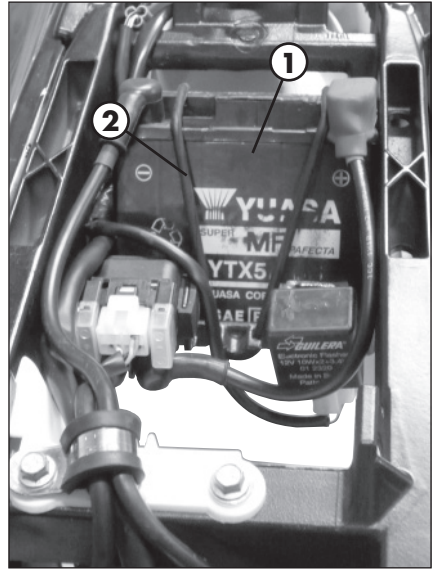
#### Removing the battery

Remove the saddle and disconnect the battery. Be sure to disconnect the negative terminal first and then the positive terminal.

Release rubber band **2**.

Remove the battery.

When fitting the battery, insert it with the terminals at the front (see figure). Lastly connect the negative terminal to the battery.



#### WARNING

To avoid damaging rubber band **2**, take care not to pass it over the edge of the battery.

#### WARNING

Extreme caution should be exercised if the electrolyte (sulphuric acid) should spill out of the battery. The electrolyte can cause severe burns. In case of contact with the skin, rinse generously with water.

Should the electrolyte come into contact with the eyes, rinse with water for at least 15 minutes and immediately seek medical assistance.

Although the battery is sealed, there is a possibility that explosive gases might leak out.

Keep sparks and open flames away from the battery.

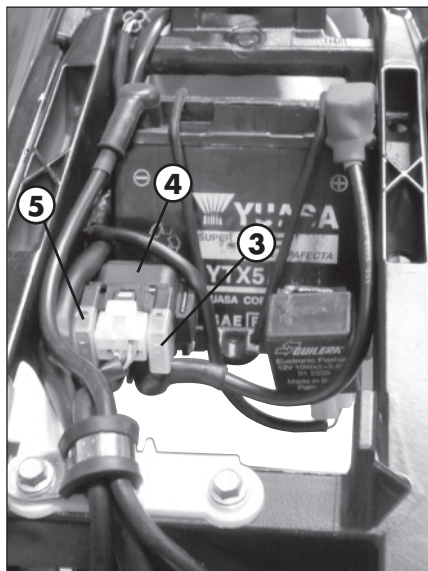
Keep exhausted batteries out of the reach of children and dispose of them as prescribed by law.

Do not remove the protections.

When installing the battery, take care to observe the polarity of the connections.

#### INACTIVITY

If the vehicle is left unused for a long period, remove the battery and charge it with a suitable charger every 15 days. Keep the battery in a dry place at a temperature of 5-35°C and out of the reach of children.



## FUSE

Fuse **3** is located in starting relay **4** placed under the saddle and front the battery. To gain access to the fuse remove the saddle.

The fuse protects the following devices:

- electric starter
- horn
- indicators
- instrument panel

The starting relay also contains spare fuse **5** (10 amperes).

Always replace a blown fuse with another of the same type.

If the new fuse should also burn out when fitted, immediately contact a specialized BETAMOTOR workshop.

The fuse has a capacity of 10 amperes.

## WARNING

Do not on any account fit a larger capacity fuse or attempt to fix a broken fuse. Unskilled operations could cause a breakdown of the entire electrical system.

## DEVICES FOR E3 VERSION

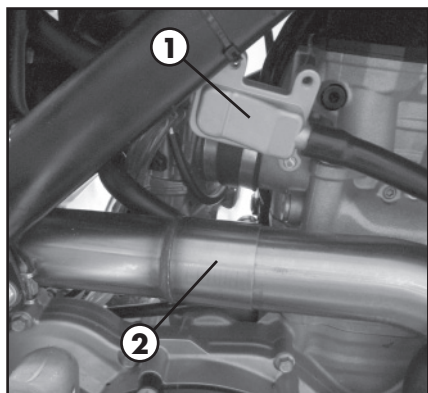
The latest models are **E3** type-approved and they differ from prior approvals in that two devices have been introduced:

### AIS valve

It is called AIS **1** and it is an air intake system which allows to complete the combustion of some unburned fuels remaining from the thermodynamic cycle.

### The catalytic converter

The catalytic converter is located in the n°**2** zone, between the two parts of the exhaust pipe. Its function is to reduce the harmful substances present in the exhaust fumes, specifically CO (carbon monoxide), the HC (unburned fuel) and the Nox (nitrogen oxide).



## CONTENTS

**CHAPTER 2 OPERATION**

Checks to be performed before each ride

Lubricants

Running-in

Starting the engine

Choke and idling setting

Refuelling

## CHECKS TO BE PERFORMED BEFORE EACH RIDE

The vehicle can be used only if it is in perfect condition from a technical point of view. To ensure maximum safety, it is advisable to carry out a general inspection of the motorcycle before each ride. The checks to be performed are described below.

**1 CHECK THE ENGINE OIL LEVEL**

Insufficient oil levels lead to early wear and, in the long run, to engine damage.

**2 FUEL**

Check the level of the fuel in the tank, arrange the breather pipe so that it has no kinks and fit the fuel tank cap.

**3 DRIVE CHAIN**

A slack chain can come out of the chainring and sprocket. An overtight chain can break or damage the other components of the final drive. A dirty or poorly lubricated chain can cause premature wear of the parts.

**4 TYRES**

Thoroughly check the tyre tread. If a tyre presents cuts or bulges, replace it. The thickness of the tread must be as prescribed by law. Check the tyre pressure. Wear and unsuitable pressure adversely affect road holding.

**5 BRAKES**

Check the operation of the brakes and the level of the brake fluid. If the brake fluid level falls below the minimum, check the brake pads for wear and the braking system for possible leaks. If an oil leak is found, have the braking system overhauled by a specialized BETAMOTOR workshop.

**6 CABLE CONTROLS**

Check the adjustment and the operation of all the cable controls.

**7 COOLANT**

Check the level of the coolant when the engine is cold.

**8 ELECTRICAL SYSTEM**

With the engine running, check the operation of the headlight, the rear and brake lights, the indicators, the warning lights and the horn.

**9 SPOKES**

Check that the spokes are properly tightened.

**10 NUTS AND BOLTS**

Inspect all the nuts and bolts.

**Note**

Check the presence of the vehicle identification papers.

In cold weather, it is advisable to warm up the engine by letting it idle a few minutes before starting it off. Each time the vehicle is used cross-country, it is necessary to wash carefully, dry it and then lubricate.

## LUBRICANTS

To maximize the vehicle's performance and ensure many years of trouble-free operation, we recommend using the following products:

PRODUCT TYPE	SPECIFICATIONS
ENGINE OIL	BARDAHL XTC 10W-50
GEAR AND CLUTCH OIL	BARDAHL GEAR BOX 10W-40
BRAKE OIL	BARDAHL BRAKE FLUID DOT4
CLUTCH ACTUATOR OIL	BARDAHL BRAKE FLUID DOT4
FORK OIL	MARZOCCHI SAE 7,5
TIE ROD GREASE	BARDAHL MPG2
LIQUID COOLANT	BARDAHL ANTIFREEZE PLUS

## Note

It is essential that all renewals should be performed with the products listed in the table above.

## RUNNING-IN

The running-in period lasts approximately 15 hours, during which it is advisable to:

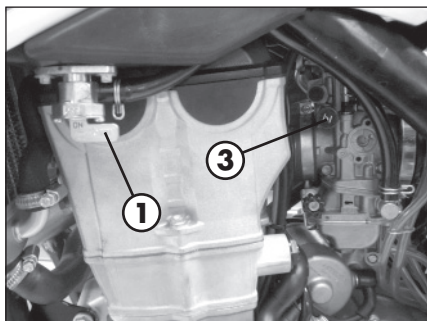
- 1 During the first 3 hours of operation the engine should only be used to approximately 50 percent of its power. In addition, the engine speed should not exceed 7,000 rpm.
- 2 For the next 12 hours of operation the engine should only be used to about 75 percent of its power.
- 3 Use the vehicle after properly warming up the engine.
- 4 Avoid travelling at constant speed (changing the speed causes the different components to bed in evenly and more quickly).

This procedure should be followed each time piston, piston rings, cylinder, crankshaft or crankshaft bearings are replaced.

## WARNING

After the first 3 hours or 20 litres of petrol change the engine and gear oil.

- Always use high-octane unleaded petrol.
- After using the vehicle on rough ground for the first time, carefully **check the tightening of all nuts and bolts.**



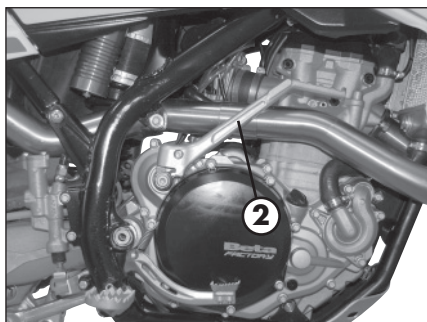
## STARTING THE ENGINE

### COLD STARTING

- 1 Open fuel cock **1**.
- 2 Take the vehicle off the stand.
- 3 Shift into neutral.
- 4 Operate choke **3**.
- 5 **WITHOUT** opening the throttle, firmly and **FULLY** operate kickstart **2** or use the electric starter.

### HOT STARTING

- 1 Open fuel cock **1**.
- 2 Take the vehicle off the stand.
- 3 Shift into neutral.
- 4 **WITHOUT** opening the throttle, firmly and **FULLY** operate kickstart **2** or use the electric starter.



### WHAT TO DO IF THE ENGINE IS FLOODED

After a fall, the engine may receive more fuel than is needed. Actuate the kickstart 5-10 times or press the electric starter button twice for 5 seconds. Subsequently start the engine as described previously. If necessary, remove the spark plug and dry it.

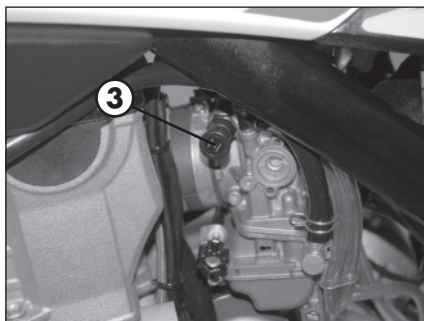
### WARNING

The carburettor is equipped with an accelerating pump.

When starting the engine, do not open the throttle fully more than once as the engine might get flooded.

## CHOKE

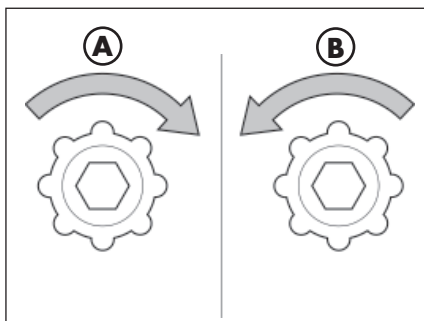
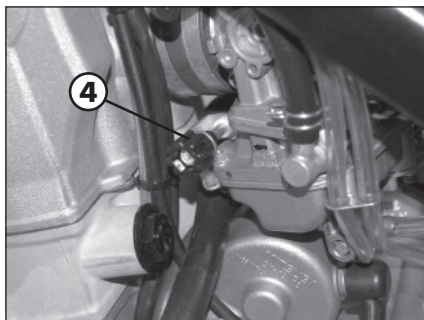
When choke **3** is pulled out completely, a hole is opened in the carburettor through which the engine can suck in extra fuel. This makes it possible to obtain a rich fuel-air mixture suitable for cold starting. To deactivate the choke, push it in to its starting position.

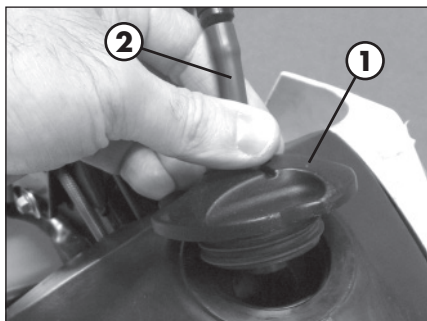


## IDLING SETTING

The knob **4** on the carburettor can be used to set the idle speed.

Turn the knob clockwise **A** to increase, turn the knob anticlockwise **B** to decrease.





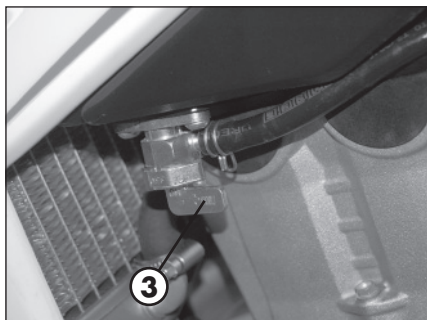
## REFUELLING

## FUEL TANK CAP

**Open:** Turn tank cap **1** anticlockwise.

**Close:** Replace the tank cap and turn it clockwise.

Arrange tank breather pipe **2** so that it forms no kinks.



## FUEL COCK

**OFF** Fuel cock **3** is closed.

**ON** Before using the vehicle, turn the knob to ON. This allows the fuel to flow to the carburettor. When the fuel cock is in the ON position the fuel tank empties until only the reserve fuel is left.

**RES** The reserve fuel is used only if the knob is in the RES position. Do not forget to bring the knob back to the ON position after refuelling.

Reserve fuel..... 1 litre

The fuel tank capacity is approximately 8 litres, including 1 litre reserve. Immediately wipe off any fuel spills from the bodywork and other parts of the vehicle.

Stop the engine before refuelling.

Petrol is highly flammable. Take care not to spill it from the tank while refuelling.

Keep open flames and lighted cigarettes away from the tank filler: danger of fire.

Avoid inhaling harmful vapours.

Fuel expands under the action of heat. It is therefore recommended not to fill the tank to the brim.



## CONTENTS

**CHAPTER 3 CHECKS AND MAINTENANCE**

Oil Circuit

Motor oil level check

Changing the engine oil and filters extraction

Changing the gear and clutch oil

Check the level of the front and rear brake fluid and bleeding

Check the front and rear brake pads

Check the oil level in the hydraulic clutch and bleeding

Fork oil

Air filter

Spark plug

Carburetor

Coolant

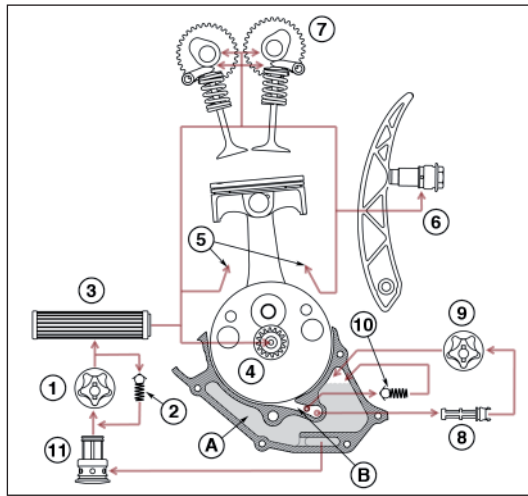
Drive chain maintenance and wear

Charging the battery

Cleaning and checking the vehicle

Scheduled maintenance

Prolonged inactivity

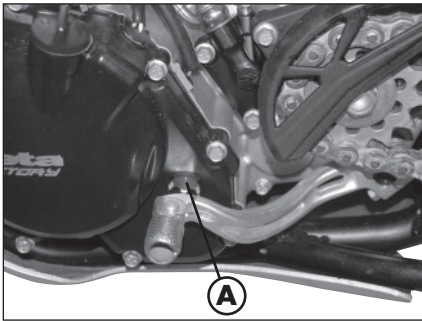


### OIL CIRCUIT

The pump **1** (high pressure) push oil to crank mechanism **4**, to piston oil jet **5**, to stretcher **6**, to head jet **7**. The valve **2** control the pressure and the paper filter **3** scrubs the oil from subtle impurity.

When oil has lubricated the head and has pushed the chain stretcher, the oil goes in generator room **A**. When oil has lubricated the crank mechanism and piston-cylinder coupling, goes in the crank mechanism room **B**. Pump **1** sucks the oil from room **B** across the wire netting filter **11** and the pump push the oil to room **A**.

The valve **10** controls the pressure between room **A** and room **B**.



### CHECKING THE ENGINE OIL LEVEL

The engine oil level can be checked when the engine is cold or hot.

Place the vehicle in an upright position (not on the side stand) on level ground.

When the engine is cold, the oil should reach the lower edge of sight **A**.

When the engine is hot, the oil should reach the upper edge of the sight.

Top up as necessary.

### WARNING

The use of insufficient quantities of oil or of oil of inferior quality results in premature wear of the engine.

## CHANGING THE ENGINE OIL AND FILTERS EXTRACTION

Before performing this operation, remove the lower bumper **A**, after underscrewing the three screws **B** as shown in the figure.

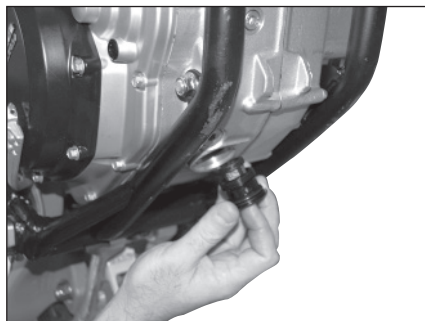
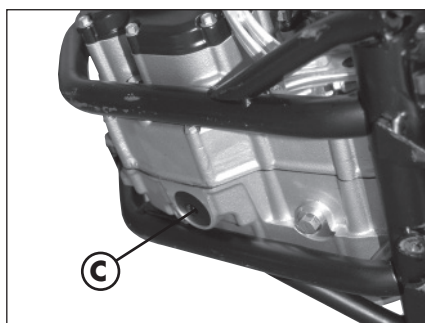
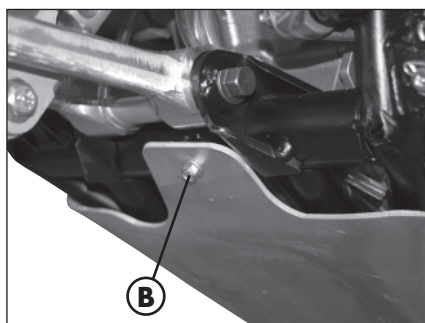
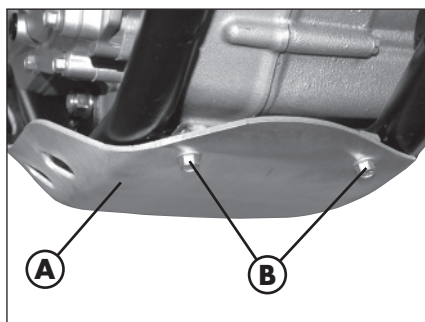
Whenever the oil is changed, is necessary to change the paper filter and to clean the wire netting filter.  
The oil must be changed when the engine is at operating temperature.

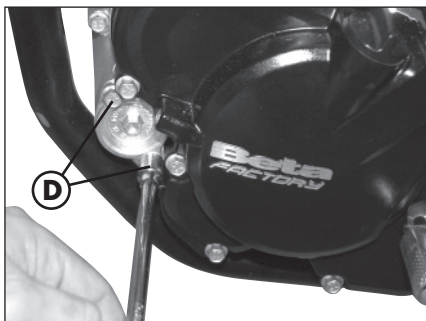
### WARNING

When at operating temperature, the engine and the oil it contains are very hot. Take special care to avoid burns.

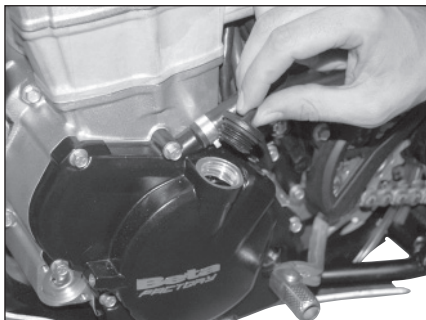
Park the motorcycle on level ground, remove screw **C** and let the oil drain in a container.

Thoroughly clean the screw and wire netting filter. After the oil has drained completely, clean the sealing surface, replace screw **C** with the sael ring and wire netting filter and tighten at 20 Nm.

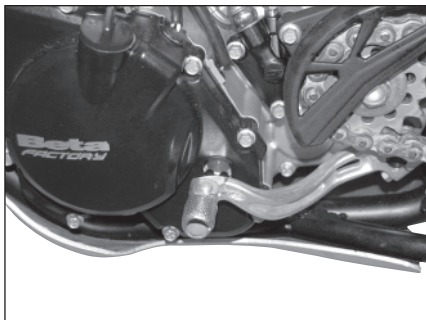




To change the paper filter, remove the oil tap from engine unscrewing the two screws **D**. Using special seeger ring pliers, pull the paper oil filter.



Mount the new paper filter, close the oil tap to engine, tighten the screws at 6 Nm. Remove screw fastener from left carter and pour in 800 ml engine oil BARDAHL XTC 10W-50. Start the engine and let it idle for five minutes, checking for oil leaks. Stop the engine and after five minutes check the level oil through window.

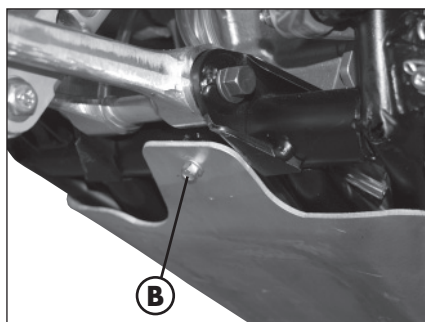
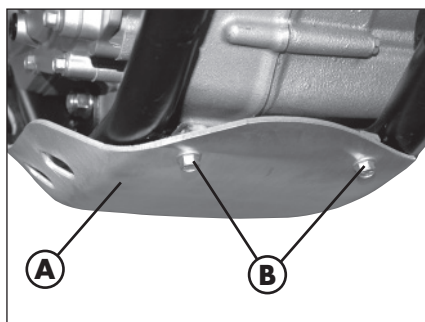


**ATTENTION:**  
Used oil contains hazardous to the environment. For the replacement must be prepared for disposal in compliance with the law.

## CHANGING THE GEAR AND CLUTCH OIL

Before performing this operation, remove the lower bumper **A** after unscrewing the three screws **B** as shown in the picture.

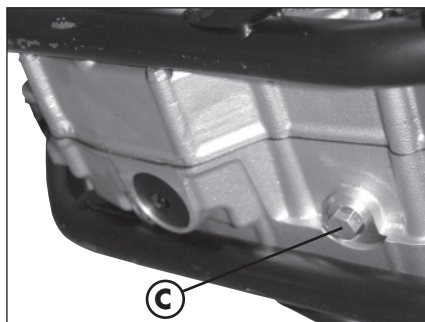
The oil must be changed when the engine is at operating temperature.



Park the motorcycle on level ground, remove the screw **C** and let oil drain in a container.

Thoroughly clean the screw and sealing surface, put in screw **C** with the seal ring and tighten at 20 Nm.

Remove screw fastener from right carter and pour in gear oil BARD AHL GEAR BOX 10V-40. To check the oil level, unscrew the check bolt **D**. The oil level must arrive to the lower edge of check hole.



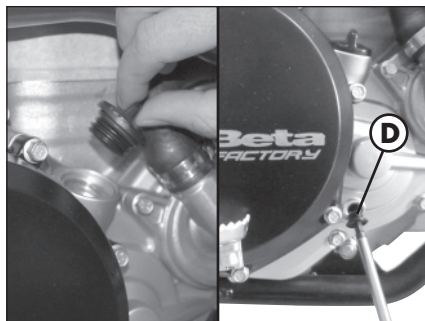
### ATTENTION:

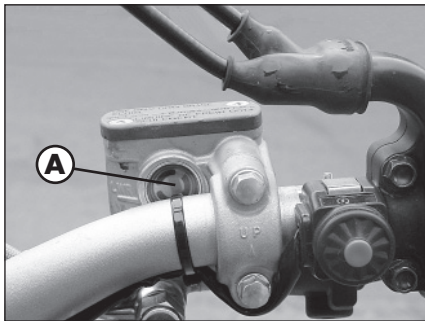
To check the gear oil level, it is necessary to use the vehicle for five minutes.

Tighten the check bolt.

### ATTENTION:

Used oil contains hazardous to the environment. For the replacement must be prepared for disposal in compliance with the law.



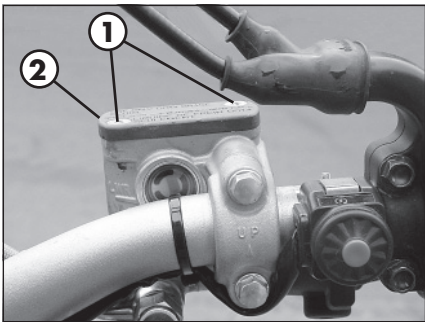


### CHECK THE LEVEL OF THE FRONT BRAKE FLUID

Check the level of the brake fluid through sight **A**. The level of the fluid should never fall below the mark in the sight.

### RESTORING THE LEVEL OF THE FRONT BRAKE FLUID

To restore the level of the brake fluid, loosen the two screws **1**, lift cap **2** and add brake fluid (BARDAHL BRAKE FLUID DOT 4) until its level is 5 mm below the upper rim of the reservoir.

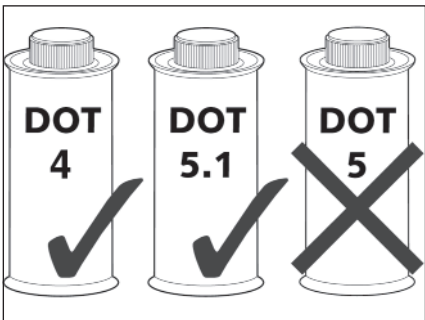


### WARNING

We recommend using DOT 4 brake fluid. Should this fluid be unavailable, use DOT 5.1 fluid instead. Do not on any account use DOT 5 brake fluid. This is a purple fluid with a base of silicone oil which requires special seals and tubes.

### WARNING

The brake fluid is extremely corrosive. Take care not to spill it on the paintwork.



### BLEEDING THE FRONT BRAKE

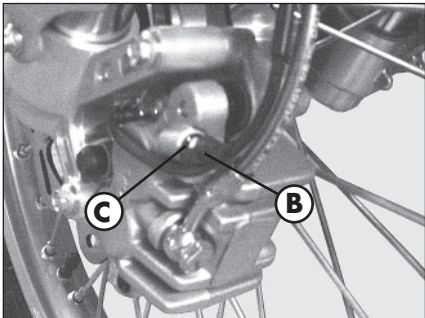
To bleed air from the front brake circuit, proceed as follows:

- Remove the rubber cap **B** from the valve **C**.
- Open the sump cap.
- Insert one end of a transparent tube into a container.
- Pump with the brake lever 2/3 times and keep the lever pressed.
- Unscrew the valve and let the oil drain.
- If air is still visible in the tube repeat above operation until obtaining a continuous outflow of oil without air bubbles.
- Close the valve and release the lever.

### NOTE:

during this procedure, continuously top up the brake pump to replace the oil that is out flowing.

- Remove the tube.
- Replace the rubber cap.





## CHECK THE LEVEL OF THE REAR BRAKE FLUID

Check the level of the brake fluid through sight **D**. The level of the fluid should never fall below the mark in the sight.

## RESTORING THE LEVEL OF THE REAR BRAKE FLUID

To restore the level of the brake fluid, unscrew cap **3** and pour in brake fluid (BARDAHL BRAKE FLUID DOT 4) until the level reaches the mark in sight **D**.

### WARNING

We recommend using DOT 4 brake fluid. Should this fluid be unavailable, use DOT 5.1 fluid instead. Do not on any account use DOT 5 brake fluid. This is a purple fluid with a base of silicone oil which requires special seals and tubes.

### WARNING

The brake fluid is extremely corrosive. Take care not to spill it on the paintwork.

## BLEEDING THE REAR BRAKE

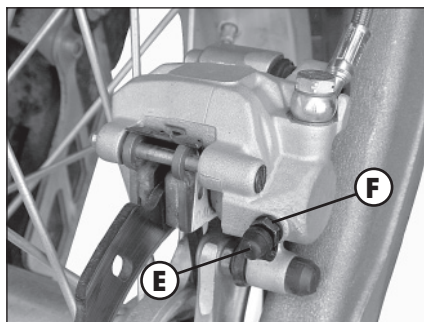
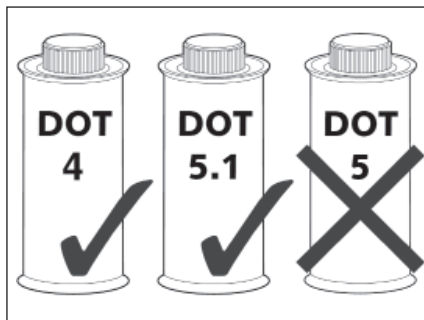
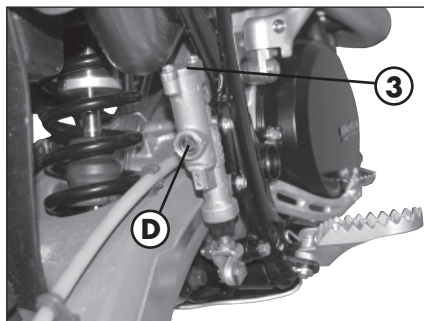
To bleed air from the rear brake circuit, proceed as follows:

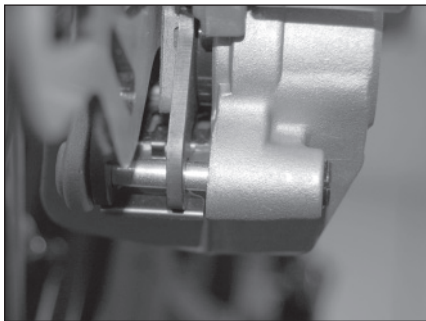
- Remove the rubber cap **E** from the valve **F**.
- Open the sump cap.
- Insert one end of a transparent tube into a container.
- Pump with the brake lever 2/3 times and keep the lever pressed.
- Unscrew the valve and let the oil drain.
- If air is still visible in the tube repeat above operation until obtaining a continuous outflow of oil within no air bubbles.
- Close the valve and release the lever.

### NOTE:

during this procedure, continuously top up the brake pump tank to replace the oil that is out flowing.

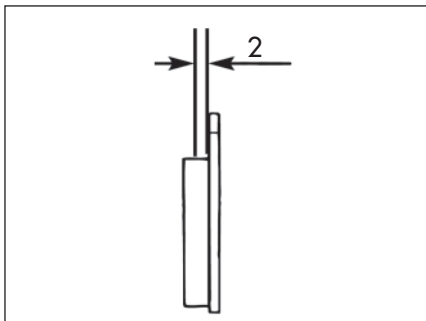
- Remove the tube.
- Replace the rubber cap.





### FRONT BRAKE LINING CONTROL

In order to verify the wear condition of front brake is enough to view the plincer from the bottom, where is possible to glimpse the brake lining tails which will have to show a brake of 2 mm in thickness. If the stratum is lesser let's start replacing them.



#### Note

Perform the check according to the times shown in the table on page 52.

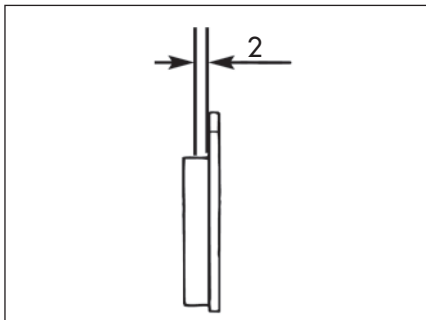
#### WARNING

Failure to promptly replace the brake pads can result in a considerable reduction of the braking action and in damage to the brake disc.



### REAR BRAKE LINING CONTROL

In order to verify the wear condition of rear brake is enough to view the plincer from the back side, where is possible to glimpse the brake lining tails which will have to show a brake of 2 mm in thickness. If the stratum is lesser let's start replacing them.



#### Note

Perform the check according to the times shown in the table on page 52.

#### WARNING

Failure to promptly replace the brake pads can result in a considerable reduction of the braking action and in damage to the brake disc.

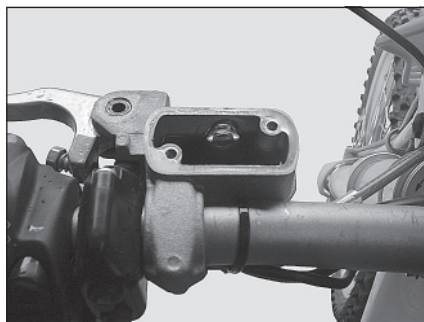
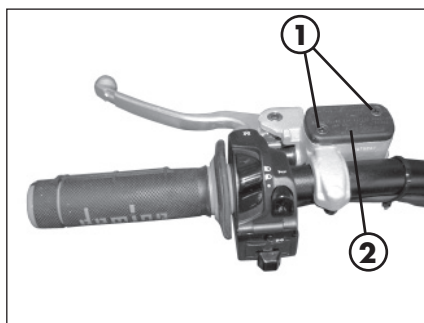


## CHECKING THE OIL LEVEL IN THE HYDRAULIC CLUTCH

To check the oil level in the clutch pump, first remove cover **2**.

Remove the two screws **1** and take off cover **2** together with the rubber bellows. With the clutch pump in a horizontal position, the level of the oil should be 4 mm below the upper rim.

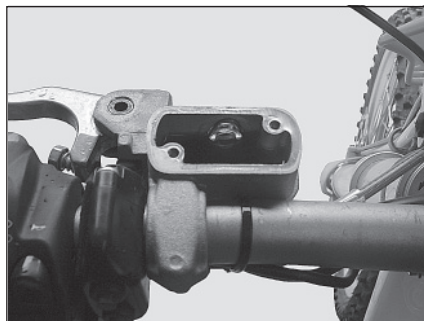
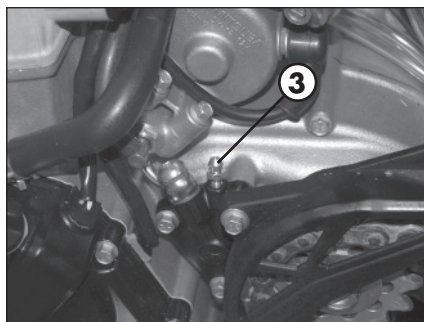
If necessary top up with "BARDAHL BRAKE FLUID DOT 4" hydraulic oil, which is available from your BETAMOTOR dealer.



## BLEEDING THE HYDRAULIC CLUTCH

To bleed air from the rear clutch pump, proceed as follows:

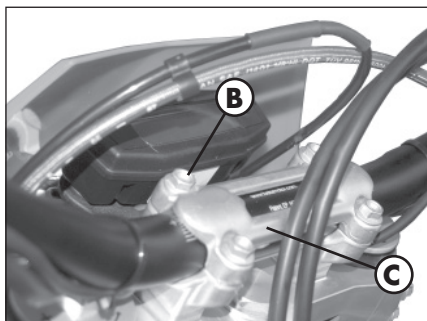
- Open the sump cap.
- Insert one end of a transparent tube into a container.
- Pump with the clutch lever 2/3 times and keep the lever pressed.
- Unscrew the valve and let the oil drain.
- If air is still visible in the tube repeat above operation until obtaining a continuous outflow of oil within no air bubbles.
- Close the valve and release the lever.



### NOTE:

during this procedure, continuously top up the clutch pump tank to replace the oil that is out flowing.

- Remove the tube.

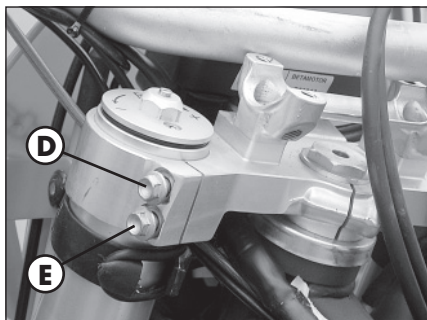


## FORK OIL

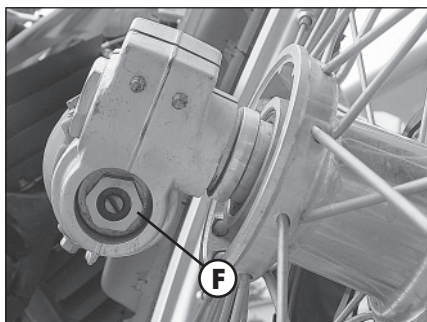
## Right/left-hand rod

The procedure for changing the oil in the forks is provided only for information. We recommend having the operation performed by a BETAMOTOR authorized workshop.

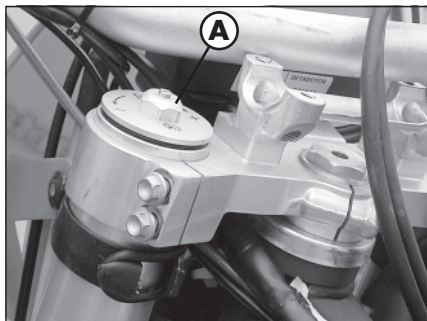
- Remove the handlebars after unscrewing the four screws **B** fixing clevis **C**.



- Unloosen the stem clamping screws **D** and **E**.



- Remove lower plug **F** and upper plug **A** (pay attention to the spring).
- Let all the oil drain from the rod.
- Replace fork lower plug **F**.



- Pour in fresh oil of the type shown in the table on page 29.
- Fit and tighten upper plug **A**.
- Tighten in sequence, first the **D** screw, then the **E** screw and aging the **D** screw.

## AIR FILTER

A dirty air filter hinders the passage of air, reduces engine power and increases fuel consumption. For these reasons it is essential to clean the air filter on a regular basis.

Follow these steps to gain access to the air filter.

- Pull the cover air filter.
- Release filter fastener **1**.
- Soundproof shell removal
- Pull out air filter **2**.
- Carefully wash the filter with soap (or special detergent) and water.
- Dry the filter.
- Wet the filter with filter oil and then remove the excess oil to prevent it from dripping.

## WARNING

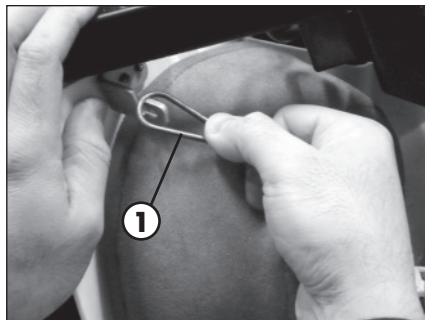
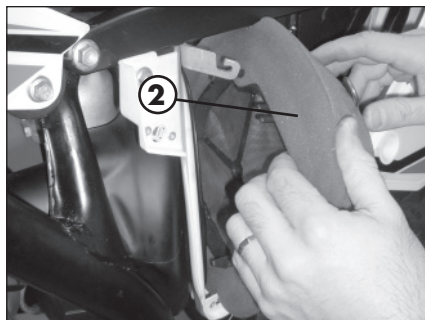
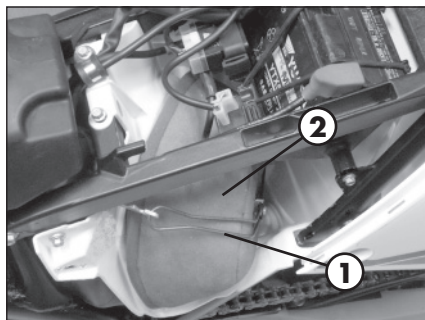
To avoid corroding the filter, do not clean it in foam containing petrol or petroleum. Never use the vehicle if the air filter is not in place. The infiltration of dust and dirt can cause damage and considerable wear.

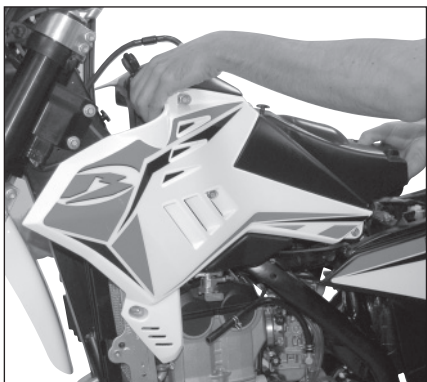
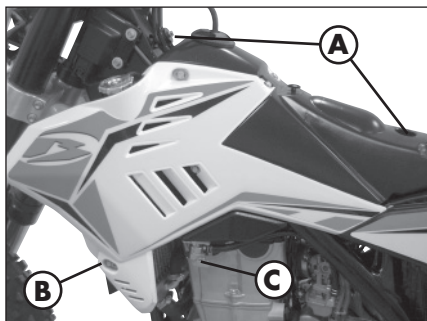
- If necessary clean the inside of the filter box.
- Replace the filter taking special care to ensure the seal of the rubber gasket.
- Attach filter fastener **1**.

## WARNING:

After each operation check that no object is left in the filter box.

Clean the filter every time the vehicle is used over rough ground.





## SPARK PLUG

To accede to spark plug, is necessary to take off saddle and the fuel tank.

To remove the fuel tank proceed as follows. Unscrew the two screws **A**, unscrew the screw **B** (both side). Close the fuel tap (OFF position) and disconnect the pipe fuel **C** from the fuel tap.

Lift the fuel tank.

Keeping the spark plug in good condition makes for reduced consumption and optimum engine performance.

It is advisable to remove the spark plug when the engine is hot (and naturally off) because the carbon formation and the colour of the insulator provide important information on carburetion, lubrication, and the general condition of the engine.

### Note

Black spark plug = mixture is rich

Light brown spark plug = mixture is correct

White spark plug = mixture is lean

This operation must be performed with the utmost care to avoid severe hand burns. Always wear protective gloves.

To carry out the check, simply remove the current cap and then unscrew the spark plug using the spanner provided.

Carefully clean the electrodes using a wire brush. Blow the spark plug with compressed air to prevent any residues from getting into the engine.

Measure the spark gap with a thickness gauge. The gap should be  $0.8 \div 0.9$  mm. If the gap is not as specified, restore the proper gap by bending the earth electrode.

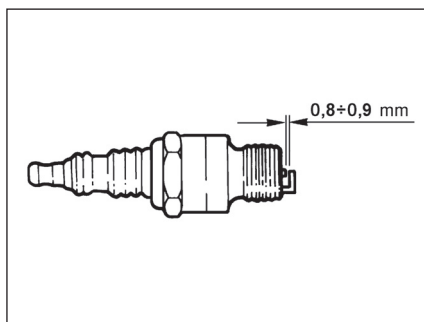
Check that the insulator is not cracked and that the electrodes are not corroded, in which case the spark plug should be immediately replaced.

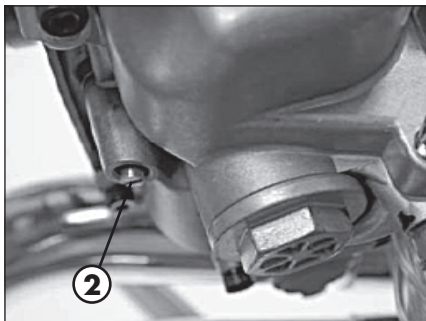
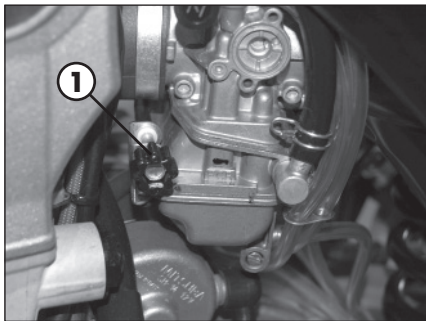
Conduct the check by referring to the table on page 52.

Lubricate the spark plug thread, and then (when the engine is cold) screw in the spark plug by hand to its abutting end. Finally tighten the spark plug with the spanner.

Note:

- Always use NGK LKAR 8A-9 spark plugs.





## CARBURETTOR - ADJUSTING THE IDLE SPEED

Engine starting is strongly affected by the idle speed adjustment. In other words, an engine whose slow running is properly adjusted is easier to start than an engine with an unsuitably tuned up engine.

The idle speed is adjusted by means of adjusting wheel **1** and mixture adjusting screw **2**. The adjusting wheel regulates the idling mixture, which reaches the engine through the idling system. Rotating the wheel clockwise decreases the quantity of fuel (lean mixture); rotating it anticlockwise increases the quantity of fuel (rich mixture).

To properly adjust the idle speed, follow these steps:

- Turn in mixture adjusting screw **2** until it stops, then turn it until you obtain the basic adjustment recommended by BETAMOTOR (see engine specifications on page 21).
- Warm up the engine.
- Turn adjusting wheel **1** to obtain the standard idle speed (1400-1500 rpm).
- Slowly turn mixture adjusting screw **2** clockwise until the idle speed begins to lower. Remember this position, then slowly turn the mixture adjusting screw anticlockwise until the engine speed lowers again. Determine the point between the two positions where the highest idle speed is obtained. Should the engine speed increase considerably, decrease the engine speed to the standard level and repeat the above procedure. If you make a markedly sporting use of your vehicle, which increases the heating of the engine, choose a leaner mixture by turning the adjusting screw approximately 1/4 of a turn clockwise from the ideal setting.

Refer to the specifications carburetor or refer website [www.betamotor.com](http://www.betamotor.com).

## NOTE

Failure to successfully complete the above procedure can be the result of an improperly sized idling jet.

a) If the mixture adjusting screw is turned until it stops and no changes in the idle speed are observed, a smaller idling jet is required.

b) If the engine stalls when the adjusting screw is still two turns open, a larger idling jet is needed.

Naturally, after replacing the jet the adjusting procedure will have to be restarted from the beginning.

- Turn the adjusting wheel until you obtain the desired idle speed.
- The idle speed will have to be adjusted again in case of marked changes in the outside temperature and riding altitude.

## CARBURETTOR WEAR GUIDELINES

The throttle valve, the needle valve and the needle jet are subject to heavy wear due to engine vibrations.

This can result in carburettor malfunctions (e.g. mixture enrichment).

CHECKING THE FLOAT LEVEL  
(float height)

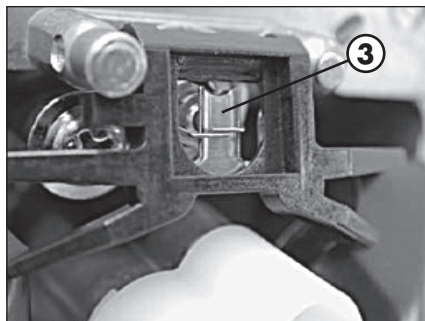
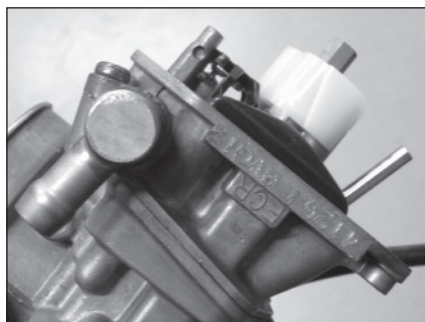
Remove the carburettor and the float chamber. Tilt the carburettor so that the float touches the float needle valve without pressing it too hard.

In this position the float edge should be parallel with the float chamber sealing surface (see figure).

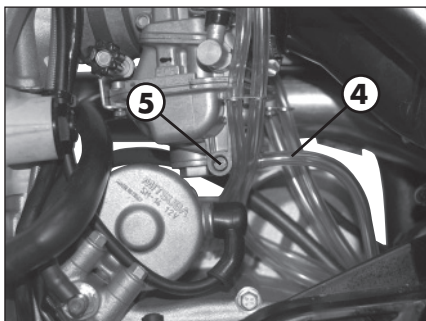
If the float height does not correspond to the nominal value, check the float needle valve and if necessary replace it.

If the needle valve is in working order, adjust the float height by bending float lever **3**.

Fit the float chamber, install the carburettor and adjust the idle speed.







### DRAINING THE CARBURETTOR FLOAT CHAMBER

The carburettor float chamber can be drained by following the procedure described below while the engine is cold. Close the fuel cock and place tube **4** in a container to gather the fuel that flows out. Open drain screw **5** and drain the fuel. Close the drain screw, open the fuel cock and check the seal of the system.

#### WARNING

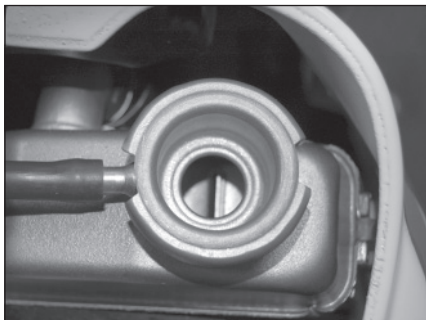
Fuel is flammable and toxic and must be handled with great care. Never work on the fuel system near heat sources or open flames. Always allow the engine to cool down before working on the fuel system. Wipe off any excess fuel with a rag. Materials soaked in fuel are also flammable. In case of ingestion or contact with sensitive parts of the body immediately seek medical attention. Fuel is to be disposed of as prescribed by law.



### COOLANT

The level of the coolant must be checked when the engine is cold. Use the following procedure:

- Unscrew cap **A** and visually check the level of the liquid. When the engine is cold, the radiator fins should be immersed in the liquid for about 10 mm.
- Top up if the coolant does not cover the radiator fins (see chart on page 29).



The capacity of the circuit is shown in the table on page 20.

#### WARNING

To avoid scalds, never unscrew the radiator filler cap when the engine is hot.



## DRIVE CHAIN MAINTENANCE

The life of the drive chain largely depends on its maintenance. Chains without X-rings must be periodically cleaned in petroleum and then immersed in hot chain oil or treated with a chain spray.

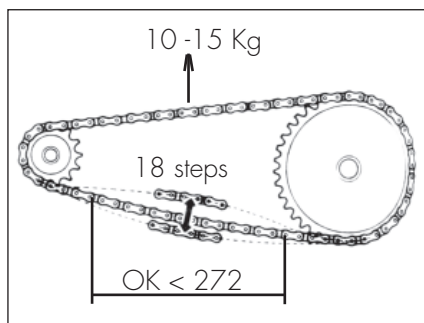
X-ring chains require very little maintenance. The best way to clean them is rinsing them generously with water. Never use brushes or solvents to clean an X-ring chain. Once the chain has dried, you can use a chain spray specially designed for X-ring chains.

Take special care in preventing the lubricant from coming into contact with the rear tyre or brake disc, otherwise the tyre grip and the action of the brake would be greatly reduced, making it very difficult to control the vehicle.

## DRIVE CHAIN WEAR

To check the wear of the drive chain use the procedure described below.

Shift into neutral, pull up the upper stretch of the chain with a force of 10 - 15 kg (see figure). Measure the length of 18 links on the lower stretch of the chain. If the length is  $\geq 272$  mm, replace the chain. Chains do not always wear evenly. For this reason it is important that the measurement is taken at different points along the chain.



When fitting a new chain, be sure to replace the chainring and sprocket as well. New chains wear more quickly if fitted on old and worn sprockets. After replacing the chain, adjust its tension as described on page 61.



## CHARGING THE BATTERY

Remove the battery and check its charge. Using an open-circuit multimeter (10-12 hours after the activation), check that the voltage is greater than 12.6 V. If it is lower, it is advisable to recharge the battery.

Based on the type of charger available, charge the battery using either of the following procedures:

- Constant voltage (14.4-15 V) - Charge the battery for about 12 hours. Check the voltage 10-12 hours after the end of recharge as described above.
- Constant current: Charge battery at 0.5-0.8 A until the voltage between the terminals stabilizes at ~14.5 V.

### WARNING

The battery is sealed. When recharging it, do not remove the seal nor add any liquid.

### WARNING

When recharging, first connect the battery to the battery charger and then turn on the charger.

If the battery is charged in a closed room, take care to ensure proper ventilation as during the charge the battery produces explosive gases.

## CLEANING AND CHECKING THE VEHICLE

Use water jet to soften the dirt and mud accumulated on the paintwork, then remove them with a soft bodywork sponge soaked in water and shampoo (2-4 percent shampoo in water). Subsequently rinse well with water, and dry with air and cloth or suede leather. For the outside of the engine use a brush soaked in petroleum and clean rags. Petroleum damages the paintwork. Always wash the vehicle before waxing it with silicon waxes.

### **Important:**

When cleaning using a high-pressure water jet cleaner, avoid aiming the jet to the digital instrument panel.



Detergents pollute water. Always wash the vehicle in areas equipped for collection and purification of the washing liquids.



Never wash the vehicle in the sun, particularly during the summer when the bodywork is hot. The shampoo would dry before being rinsed off and cause damage to the paintwork. Do not clean the plastic surfaces with cloths soaked in petrol or naphtha as they would lose their shine and mechanical properties.

## CHECKS AFTER CLEANING

After cleaning the motorcycle, it is advisable to:

- Clean the air filter (refer to the procedure described on page 43).
- Empty the fuel container by loosening the fuel emptying screw in order (as described on page 48) to check for the presence of water.
- Add grease to the chain.

UNIT	INTERVENTION	1 <sup>st</sup> coupon after 3h or 20l (fuel)	Every 15h or 100l (fuel)	Every 30h or 200l (fuel)	Every 60h or 400l (fuel)
<b>ENGINE</b>	Engine oil	S	S	-	-
	Paper filter oil	S	S	-	-
	Wire netting filter oil	P	P	-	-
	Gear and clutch oil	S	S	-	-
	Spark plug	I	-	-	S
	Valve clearance	I	-	I	-
	Engine clamping screws	I	I	-	-
	Kick start and gearchange lever screws	I	I	-	-
	Spark plug cap	P	P	-	-
<b>CARBURETOR</b>	Tightness	I	I	-	-
	Idling setting	I	I	-	-
	Fuel pipe	I	I	-	-
	Breather pipe	I	I	-	-
<b>ASSEMBLING GROUPS</b>	Coolant system tightness and coolant level	I	I	-	-
	Exhaust manifold tightness	I	I	-	-
	Drives sliding and regulation	I	I	-	-
	Liquid level clutch pump	I	I	-	-
	Airbox and air filter	P	P	-	-
	Chain, plate wheel and pinion	I	I	-	-
<b>BRAKE</b>	Liquid level, pads thickness	I	I	-	-
	Disc thickness	I	I	-	-
	Pipe tightness	I	I	-	-
	Idle travel levers and drives sliding	I	I	-	-
<b>CYCLING</b>	Shock absorber and telescopic fork	I	I	-	-
	Fork cover	P	P	-	-
	Bearings of steering	I	I	-	-
	Nuts and bolts	T	T	-	-
<b>WHEELS</b>	Spokes	I	I	-	-
	Tyres	I	I	-	-
	Bearings clearance	I	I	-	-

## SCHEDULED MAINTENANCE ENGINE

# 3

# CHECKS AND MAINTENANCE

	AGONISTIC use						AMATEUR use					
	15h 100l	30h 200l	45h 300l	60h 400l	75h 500l	90h 600l	30h 200l	60h 400l	90h 600l	120h 600l	150h 800l	180h 1200l
Clutch plate wear	I	I	S	I	I	S	I	I	S	I	I	S
Clutch springs length	-	I	I	-	I	I	-	I	I	-	I	I
Gear bearing (carter side)	-	-	-	-	-	S	-	-	-	-	-	S
Clutch hub/bell wear	-	I	I	-	I	I	-	I	I	-	I	I
Cylinder wear	-	-	I	-	-	I	-	-	I	-	-	I
Piston and piston ring	-	-	S	-	-	S	-	-	S	-	-	S
Cam shaft wear	-	-	I	-	-	I	-	-	I	-	-	I
Valve springs	-	-	I	-	-	S	-	-	I	-	-	S
Valve	-	-	I	-	-	I	-	-	I	-	-	I
Valve guide wear	-	-	I	-	-	I	-	-	I	-	-	I
Connecting rod bearings	-	-	S	-	-	S	-	-	S	-	-	S
Balancer shaft bearing	-	-	S	-	-	S	-	-	S	-	-	S
Crank shaft bearings	-	-	S	-	-	S	-	-	S	-	-	S
Gear and drive gear wear	-	-	I	-	-	I	-	-	I	-	-	I
Bypass valve spring length	-	-	I	-	-	I	-	-	I	-	-	I

I = Check and if necessary adjust, clean, lubricate or replace.

P = Clean

S = Replace/renew

T = Tighten

Note:

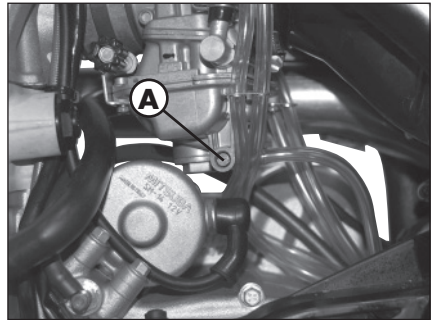
For any service requirements, please contact Betamotor's Authorized Service Network.

# 3

## PROLONGED INACTIVITY

A few simple operations should be performed to keep the vehicle in good condition whenever it is to remain inactive for a long period (e.g. during the winter):

- Thoroughly clean the vehicle.
- Reduce the tyre pressures by approximately 30 percent, and if possible raise the tyres off the ground.
- Remove the spark plug and pour a few drops of engine oil into the spark plug hole. Make the engine turn a few times by operating the kick-start (where available) and then replace the spark plug.
- Cover the unpainted parts, excepting the brakes and the rubber parts, with a film of oil or spray silicone.
- Remove the battery and keep it in a dry place. Charge the battery every 15 days.
- Protect the vehicle with a dust cover.
- Drain the carburetor float chamber by loosening screw **A**. The fuel drained from the chamber through a suitable pipe must be collected in a container and poured into the fuel tank. Do not dispose of the fuel in the environment.
- Retighten the screw.



### AFTER PROLONGED INACTIVITY

- Reinstall the battery.
- Restore the tyre inflating pressures.
- Check the tightening of all the screws having an important mechanical function.

Note:

Periodically check the tightening of the screws.

- Start the vehicle for the first time by means of the kick-start

## CONTENTS

**CHAPTER 4 ADJUSTMENTS**

Brake adjustment: front lever and brake pedal

Adjusting the home position of the clutch lever

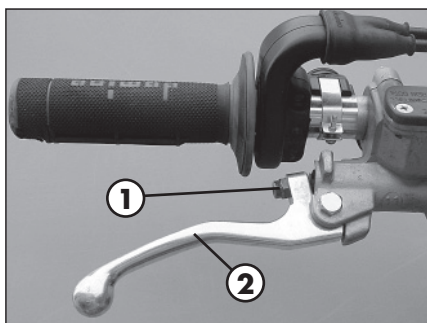
Adjusting the handlebars

Adjusting the throttle control cable

Checking and adjusting the steering play

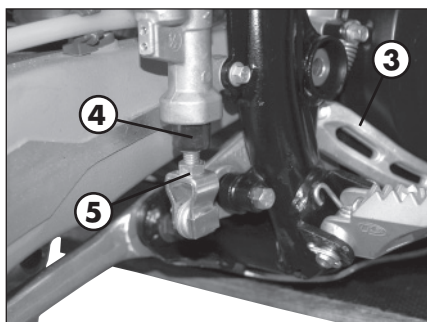
Adjusting the Suspensions: telescopic fork and shock absorber

Tensioning the chain



#### ADJUSTING THE HOME POSITION OF THE FRONT BRAKE LEVER

The home position of brake lever **2** can be adjusted by means of screw **1**.



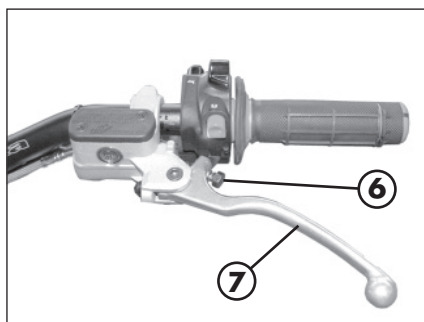
#### ADJUSTING THE HOME POSITION OF THE BRAKE PEDAL

The home position of brake pedal **3** can be altered by turning adjusting screw **5** after loosening the counternut located under dust cap **4**. Loosen the counternut and turn the adjusting screw until the desired height is obtained. Retighten the counternut after completing the operation.



## ADJUSTING THE HOME POSITION OF THE CLUTCH LEVER

The idle travel of clutch lever **7** can be adjusted by means of screw **6**.



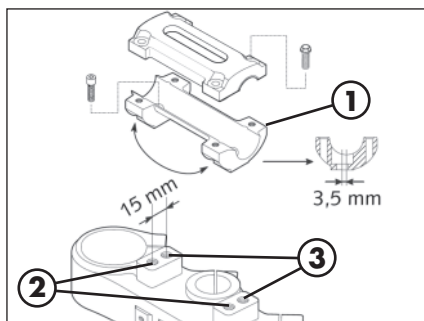
## ADJUSTING THE HANDLEBARS

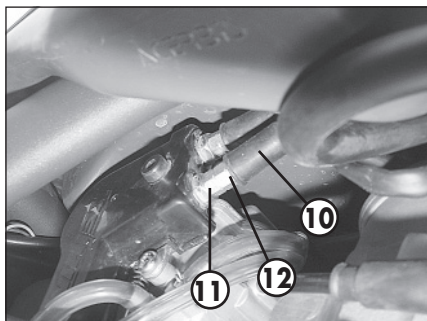
The handlebars can be fastened in one of four positions.

Lower clevis **1** can be positioned on holes **2** and **3** respectively and can be rotated 180 degrees to allow four different adjustments capable of suiting different driver's requirements.

Note:

The four positions make it possible to move the handle-bar axis as to the vertical axis of the steering-wheel





## ADJUSTING THE THROTTLE CONTROL CABLE

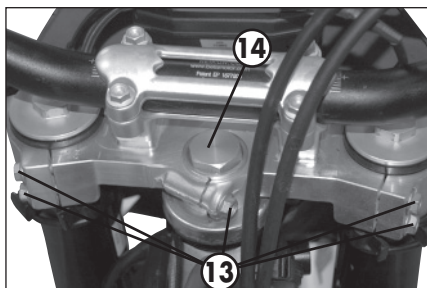
The throttle control cable should always have a 3-5 mm play. In addition, the idle speed should not change when the handlebars are fully rotated to the left or right. Push back protective cap **10**. Loosen counternut **11** and turn adjusting screw **12**. Turning the screw anticlockwise decreases the idle travel; turning it clockwise increases it. Tighten the counternut and check that the throttle twist grip turns smoothly.



## CHECKING AND ADJUSTING THE STEERING PLAY

Periodically check the play of the steering head tube by moving the forks backwards and forwards as shown in the figure. If any play is felt, carry out the adjustment by following these steps:

- Unscrew the five screws **13**
  - Pull out the handlebars paying special attention to the clevises.
  - Loosen nut **14**
  - Reduce the play by turning ring
- To refit the parts, follow the reverse procedure.



Note:

Proper adjustment must leave no play and cause no stiffness, and allow the steering to rotate smoothly. Check the fitting direction of the clevises as it can alter the geometry of the handlebar.

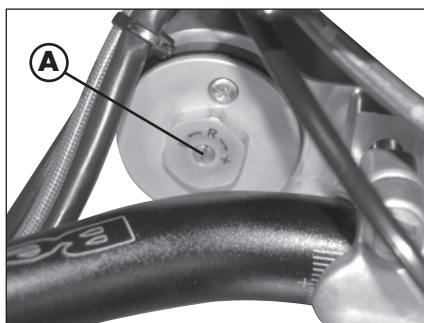
## SUSPENSIONS

### TELESCOPIC FORK

#### ADJUSTING THE REBOUND DAMPER

The hydraulic rebound damper determines the behaviour of the telescopic fork during extension and can be adjusted by means of screw **A**. Turning the screw clockwise (towards the + sign) increases the action of the rebound damper; turning it anticlockwise (towards the – sign) decreases the action of the rebound damper.

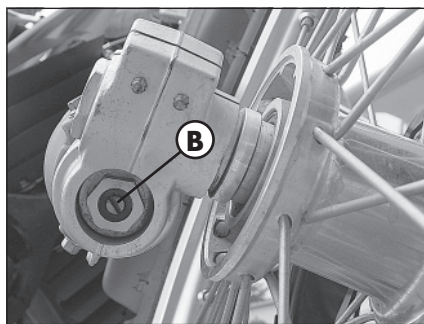
Standard adjustment **RR 4t**:  
15 clicks from the completely closed position



#### ADJUSTING THE COMPRESSION DAMPER

The hydraulic compression damper determines the behaviour of the telescopic fork during compression and can be adjusted by means of screw **B** located at the lower end of the fork legs. Turning the screw clockwise increases the action of the compression damper; turning it anticlockwise decreases the action of the compression damper.

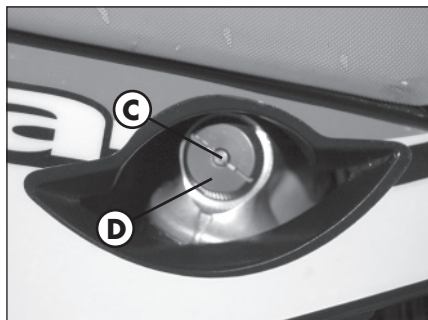
Standard adjustment **RR 4t**:  
23 clicks from the completely closed position



## SHOCK ABSORBER

## ADJUSTING THE HYDRAULIC COMPRESSION DAMPER (high and low speeds)

The shock absorber can be adjusted for both high and low speeds. The terms 'high' and 'low' refer to the compression speed of the shock absorber, not to the speed of the vehicle. The low-speed adjustment affects the behaviour of the shock absorber during low-speed compression; conversely the high-speed adjustment affects its behaviour during high-speed compression.



Low-speed adjustment

- Using a screwdriver, loosen screw **C** by turning it clockwise to decrease the hydraulic compression damper.

Standard adjustment **RR 4t**:

screw completely open

High-speed adjustment

- Turn knob **D** anticlockwise to decrease the hydraulic compression damper.

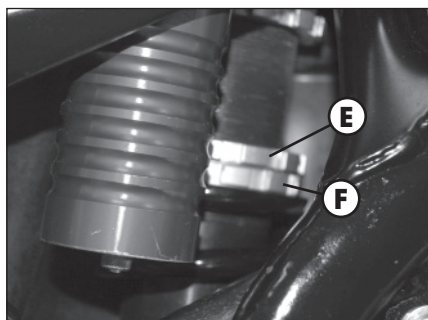
Regolazione standard **RR 4t**:

Knob completely open

## WARNING

Starting from the standard position, turn the knob anticlockwise (with a closing action). The central screw will move along with the knob. This is normal, as the screw will be in completely open position anyway.

## ADJUSTING THE SPRING PRELOAD



To adjust the spring preload, use the procedure described below. Loosen counter-ring **E**, Rotate ring **F** clockwise to increase the spring preload (and consequently the shock absorber preload) or anticlockwise to decrease it. After obtaining the desired preload, turn counter-ring **E** until it stops against adjusting ring **F**.

Spring preload **RR 4t**: 14 mm

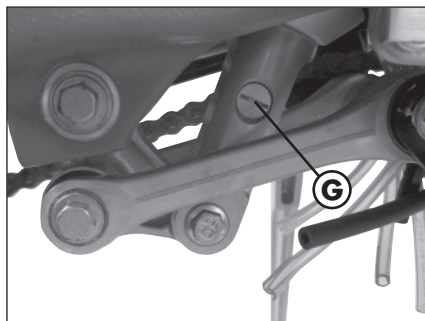
## ADJUSTING THE HYDRAULIC REBOUND DAMPER

Turn screw **G** to adjust the hydraulic rebound damper.

Turning the screw anticlockwise (out) decreases the damping effect.

Standard adjustment **RR 4t**:

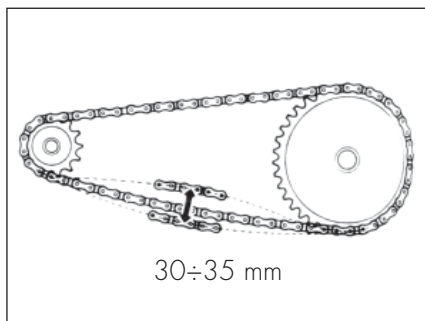
18 clicks from the completely closed position



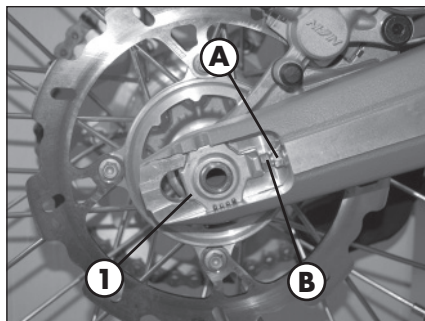
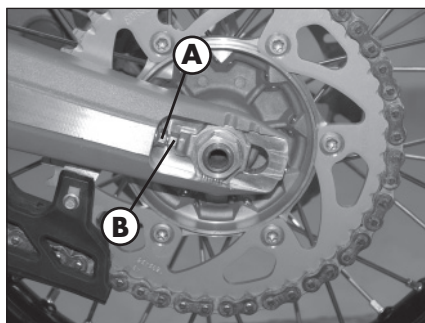
## TENSIONING THE CHAIN

To ensure the drive chain a longer life, it is advisable to periodically check its tension. Always maintain the chain clean and lubricated.

If the chain play exceeds 30÷35 mm, tension the chain by following these steps.



- Loosen wheel spindle nut **1**.
- Loosen conternuts **A** on either side of the fork
- Turn adjusting screws **B** on either side until the desired chain tension is obtained.
- Tighten conternuts **A** on either side of the fork
- Tighten nut **1**.





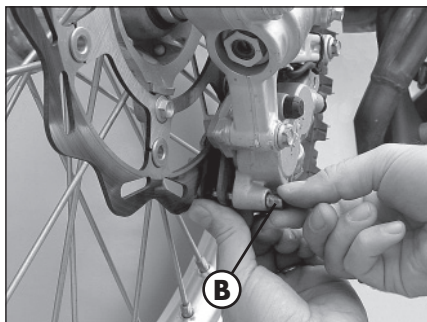
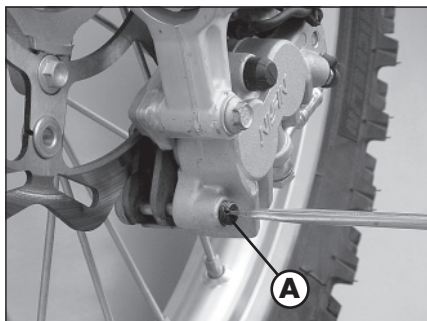
## CONTENTS

**CHAPTER 5 REPLACEMENTS**

Replacing the brake pads: front and rear

Replacing the headlight bulbs

Replacing the rear optic batch



## REPLACING THE BRAKE PADS

The procedure for replacing the brake pads is provided only for information. We recommend having the operation performed by a BETAMOTOR authorized workshop.

### FRONT

Follow these steps to replace the pads:

- Push the brake caliper towards the disc so that the pistons reach their home positions.
- Unscrew dowel **A**.
- Pull out pin **B**, while supporting the two pads as shown in the figure.
- Remove the brake pads taking care not to drop the leaf spring located under the pads.
- To reassemble, follow the reverse procedure. When fitting the pads, ensure that the leaf spring is properly in place.

### WARNING

The brake disc must always be kept free from oil and grease. An oily or greasy disc strongly reduces the braking action.

After work has been carried out on the braking system, pull the brake lever to bring the pads into contact with the disc. This will allow the correct pressure point to be restored, thus ensuring proper operation of the braking system.



## REAR

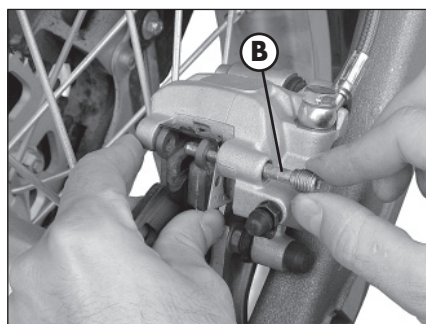
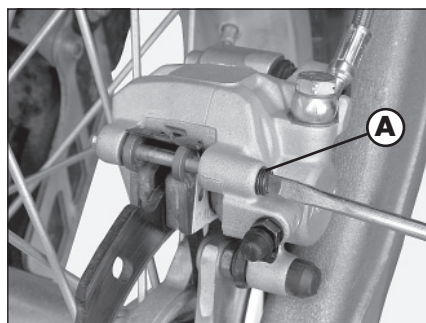
Follow these steps to replace the pads:

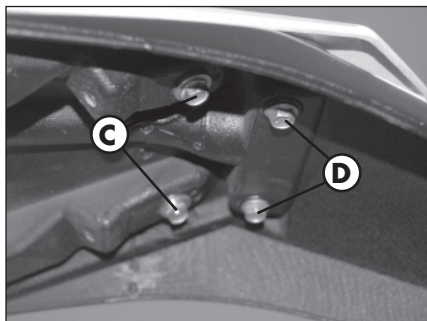
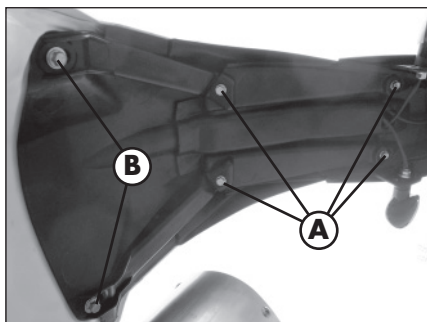
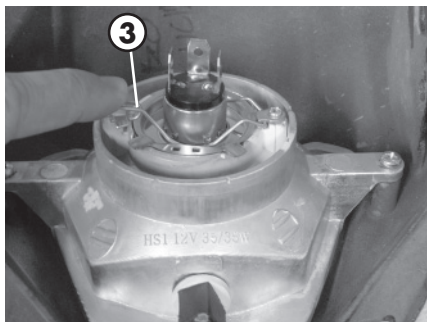
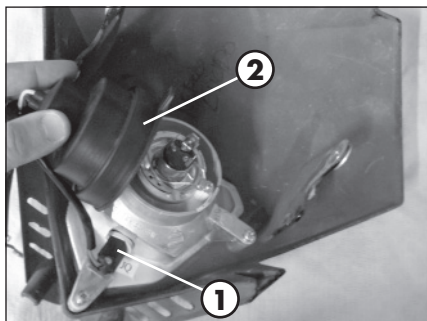
- Push the brake caliper towards the disc so that the pistons reach their home positions.
- Unscrew dowel **A**.
- Pull out pin **B**, while supporting the two pads as shown in the figure.
- Remove the brake pads taking care not to drop the leaf spring located above the two pads.
- To reassemble, follow the reverse procedure. When fitting the pads, ensure that the leaf spring is properly in place.

## WARNING

The brake disc must always be kept free from oil and grease. An oily or greasy disc strongly reduces the braking action.

After work has been carried out on the braking system, pull the brake lever to bring the pads into contact with the disc. This will allow the correct pressure point to be restored, thus ensuring proper operation of the braking system.





## REPLACING THE HEADLIGHT BULBS

Release both spring washers and move forward the lamp holder front cowl.

Carefully remove the headlight bulb **1** together with lamp holder. To replace the high beam / low beam, lift the rubber cover **2**, release connector, push on the spring **3** and remove the lamp holder and replace the light bulb with a new one. Be careful not to touch the bulb so as not to compromise its efficiency.

To refit, follow the procedure above but in reverse order.

Fasten the lamp holder front cowl to the supporting pins and fix it with the two elastics.

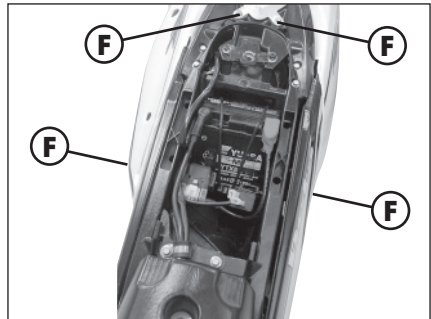
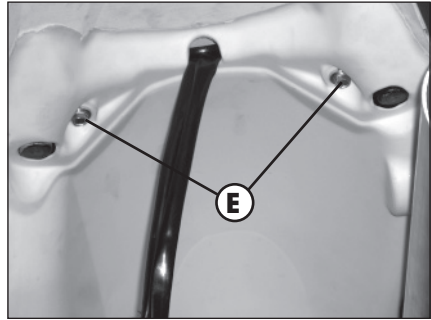
## REPLACING THE REAR OPTIC BATCH

The rear optical batch led type.  
To replacing the rear optical batch, remove the rear fender proceed as follows.

Remove the saddle and unscrew the four screws **A** and disconnect the electrical connector.

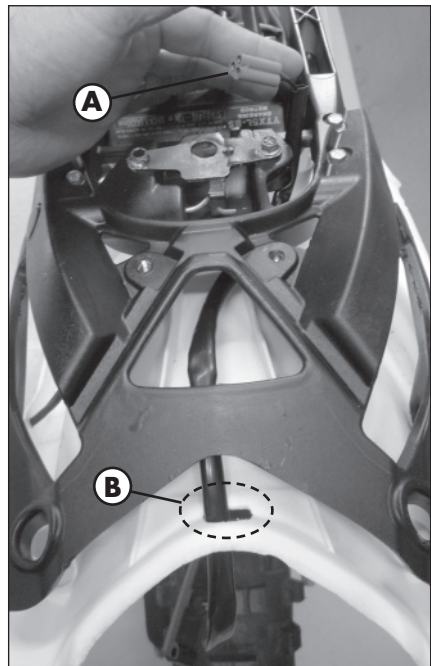
Unscrew the two screws **B**, the two screws **C** and **D**. The **D** screws connect the optic batch to the racing number plate holder.

Unscrew the two **E** screws and the four **F** screws. Take off the rear fender.



Disconnect the connector **A** and unthread the cable.

To reassemble the optical batch, insert before the connector in the hole **B**, and then put the cable as it shown in the picture.





CONTENTS

**CHAPTER 6 TROUBLESHOOTING**

INDEX

PROBLEM	CAUSE	REMEDY
Engine does not start	-Fuel system clogged (fuel lines, fuel tank, fuel cock).	Clean the system.
	-Air filter dirty.	Proceed as described on page 43
	-No current supplied to spark plug.	Clean or replace the spark plug. If the problem persists, contact a BETA-MOTOR dealer.
	-Engine flooded.	Operate the start-up pedal 5-10 times or the electrical starter pushbutton 2 times every 5 seconds. If the vehicle does not start, remove and dry the spark plug.
Engine misfires	-Spark gap wrongly adjusted.	Restore the spark gap.
	-Spark plug dirty.	Clean or replace the spark plug.
Engine knocks	-Spark advance excessive.	Check the ignition timing.
	-Carbon formation in cylinder or on spark plug.	Contact a BETAMOTOR dealer.
Engine overheats and loses power	-Silencer partly clogged.	Contact a BETAMOTOR dealer.
	-Exhaust port clogged.	Contact a BETAMOTOR dealer.
	-Ignition delayed.	Check the timing.
Front braking poor	-Brake pads worn.	Follow the procedure described on page 64
	-Air or humidity in the hydraulic circuit.	Follow the procedure described on page 38
Rear braking poor	-Pastiglie usurate	Follow the procedure described on page 65
	-Presenza di aria o umidità nel circuito idraulico	Follow the procedure described on page 39

Air filter .....	43
Battery: load .....	50
Bleeding the brakes: front and rear .....	38
Bleeding clutch .....	41
Brakes adjustment: front and rear.....	56
Carburetor .....	46
Checks to be performed before each ride .....	28
Checking and adjusting the steering play .....	58
Cleaning and checking the vehicle .....	51
Clutch adjustment .....	57
Clutch oil: check the level .....	41
Controls.....	13
Coolant.....	48
Delivery.....	8
Drive chain: maintenance and wear .....	49
Electrical devices.....	25
Engine oil: check.....	34
Engine oil: filters replacement and extraction.....	35
Fork oil: right/left rod .....	42
Front and rear brake: check the level.....	38
Front and rear brake: check pads.....	40
Gas clearance adjustment.....	58
Gearbox/clutch oil replacement .....	37
Handlebars, adjustment .....	57
Idling speed adjustment .....	31
Load .....	10
Lubricants.....	29
Refuelling .....	32
Replacing the bulbs .....	66
Replacing the brake pads: front and rear .....	64
Running-in .....	29
Scheduled maintenance.....	52
Spark plug .....	44

Starter .....	31
Starting .....	30
Steering lock .....	11
Specifications .....	19
Suspensions: telescopic fork and shock absorber .....	59 ÷ 61
Tensioning the chain.....	61
Troubleshooting .....	69
Tyres .....	10
Vehicle identification data .....	8
Vehicle: familiarizing with .....	12
Vehicle: Prolonged inactivity .....	53
Wiring diagram RR 4t .....	23